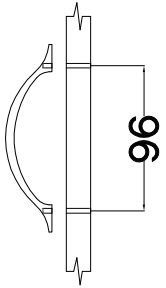
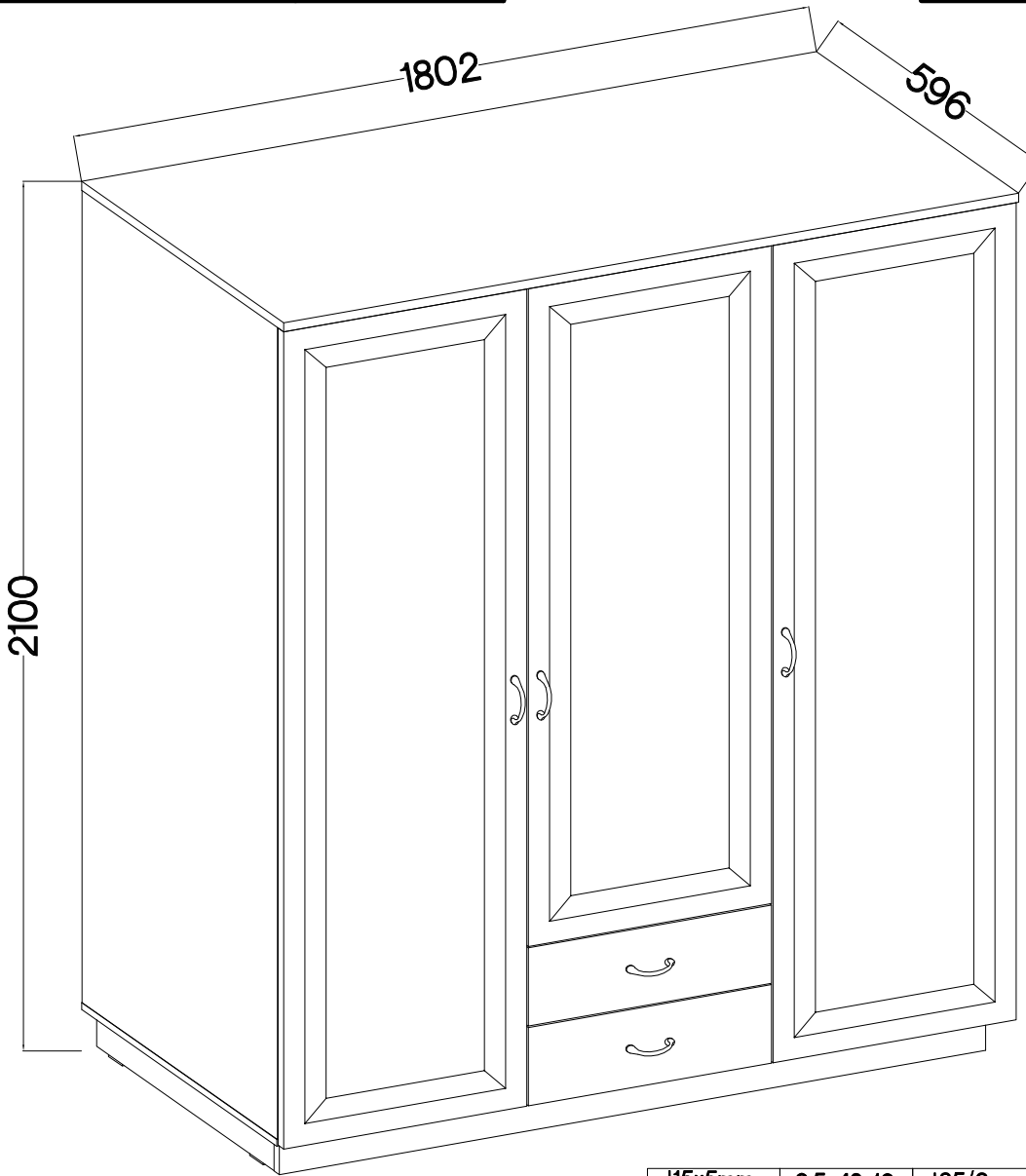
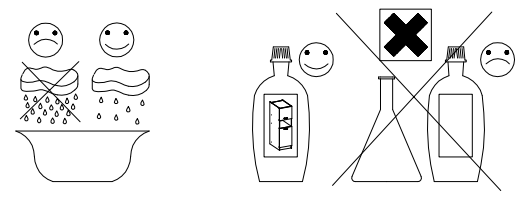


TYP 610

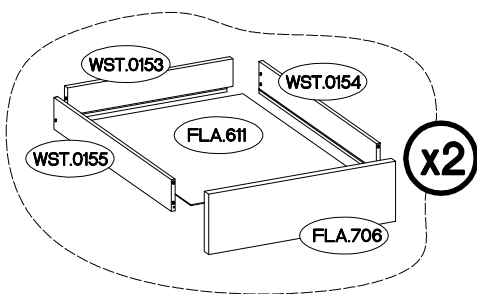
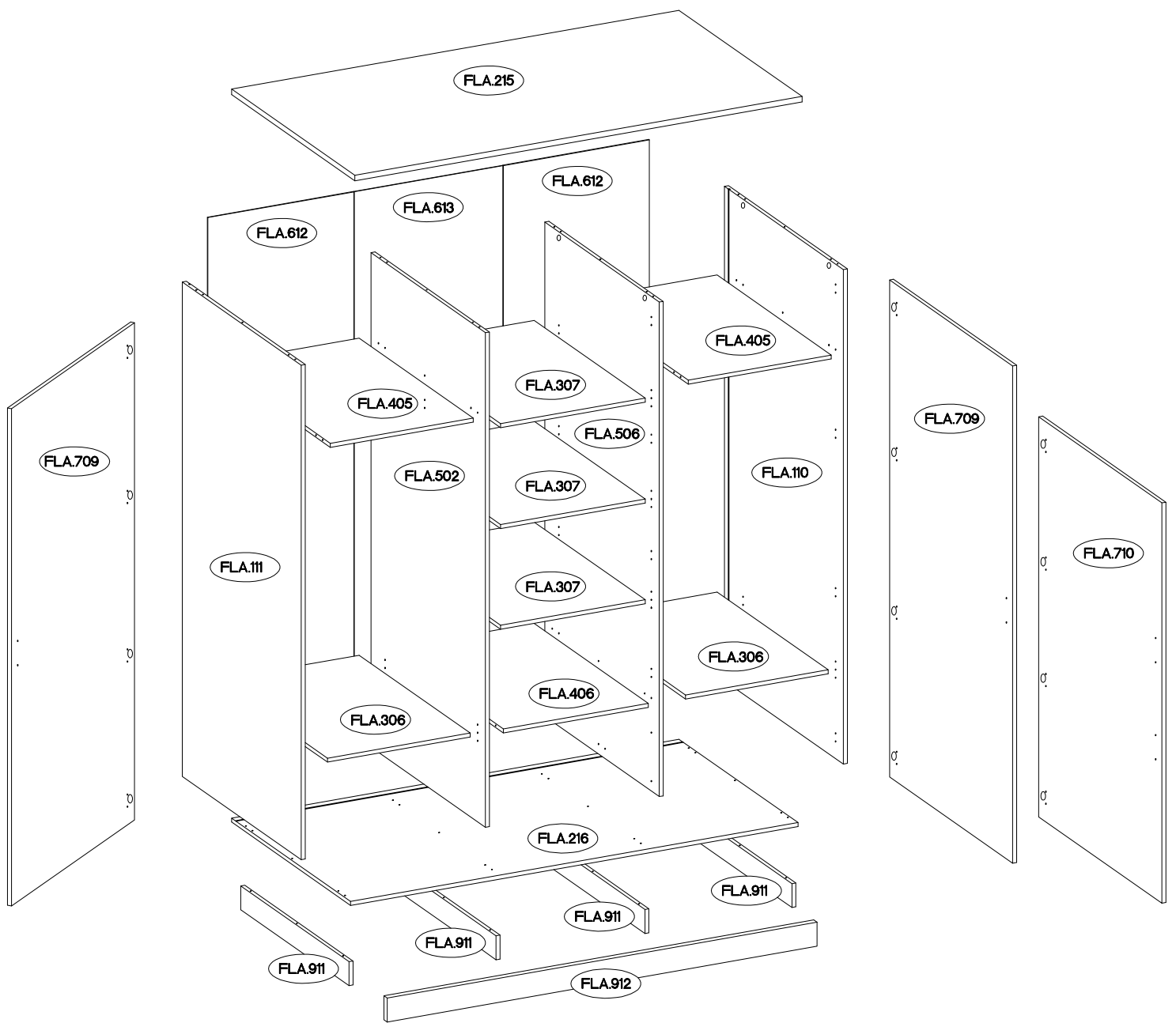


	±8x30mm	6,4 x 50mm
	A	B
	62	8
±6x42mm	±15/12mm	±12/10mm
B2	C	C5
4	20	4
L=20mm		
D2	E	E1
24	20	4

±15x5mm	6.5x48x16	±35/0mm	±35/9mm H=0	L=450mm
F4	F22	HG	HG1	I11
2	8	8	4	2

L=570mm	±5/16mm	±20/8mm					±6.3x20mm			±10x50mm
J2	J3	J14	J17	L	L2	L19	M3	O	O1	O7
2	20	12	4	24	24	2	12	1	2	2
±4.0x16mm	±3.5x13mm	±3.0x20mm	±5.0x60mm			M4x22mm				
P1	P5	P7	P12	S	T3	U				
14	32	40-45	2	5	7	10				

ISM-FLA-12



FLA.611



FLA.306

FLA.307

FLA.405

FLA.406

Colli	Ersatzteil Nummer	Dimension
Colli 2/5	FLA.215	1802x596x22
	FLA.216	1802x576x16
	FLA.912	1732x95x16


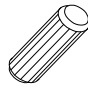

Colli	Ersatzteil Nummer	Dimension
Colli 3/5	FLA.110	1962x576x16
	FLA.111	1962x576x16
	FLA.612 x2	1971x588x2,5
	FLA.613	1971x598x2,5

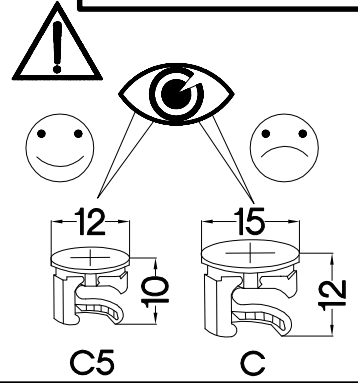
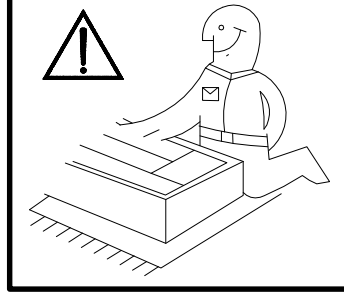
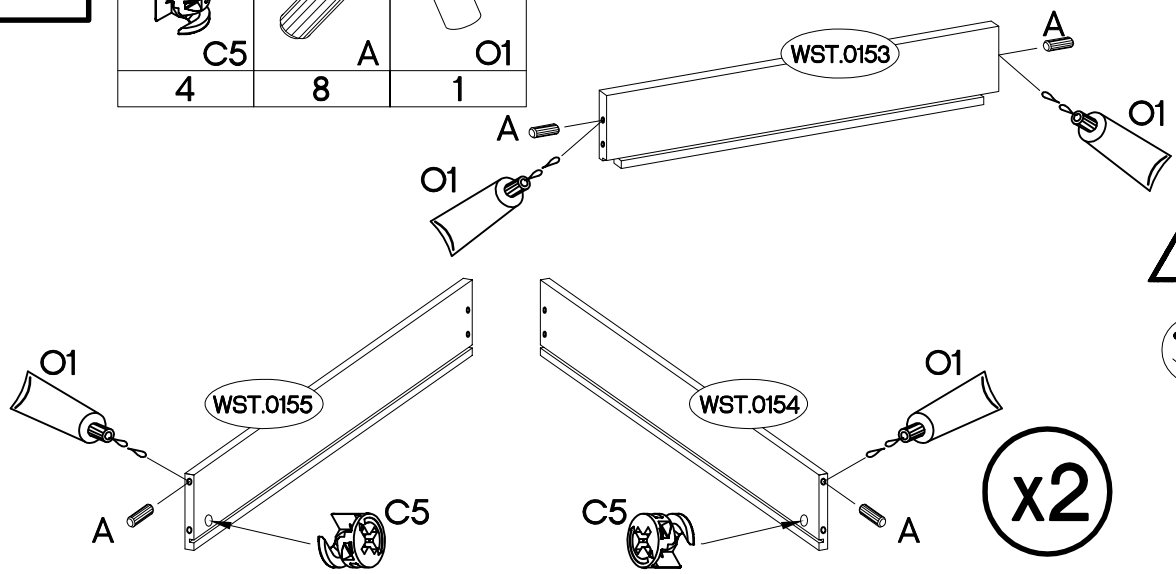
Colli	Ersatzteil Nummer	Dimension
Colli 1/5	FLA.306 x2	575x538x16
	FLA.405 x2	576x553x16
	FLA.406	584x553x16
	FLA.611 x2	446x537x2,5
	FLA.911 x4	524x95x16
	WST.0154 x2	450x100x12
	WST.0155 x2	450x100x12
WST.0153 x2	527x100x12	

Colli	Ersatzteil Nummer	Dimension
Colli 4/5	FLA.307 x3	583x538x16
	FLA.502	1962x554x16
	FLA.506	1962x554x16

Colli	Ersatzteil Nummer	Dimension
Colli 5/5	FLA.706 x2	189x596x16
	FLA.709 x2	1973x596x16
	FLA.710	1588x596x16

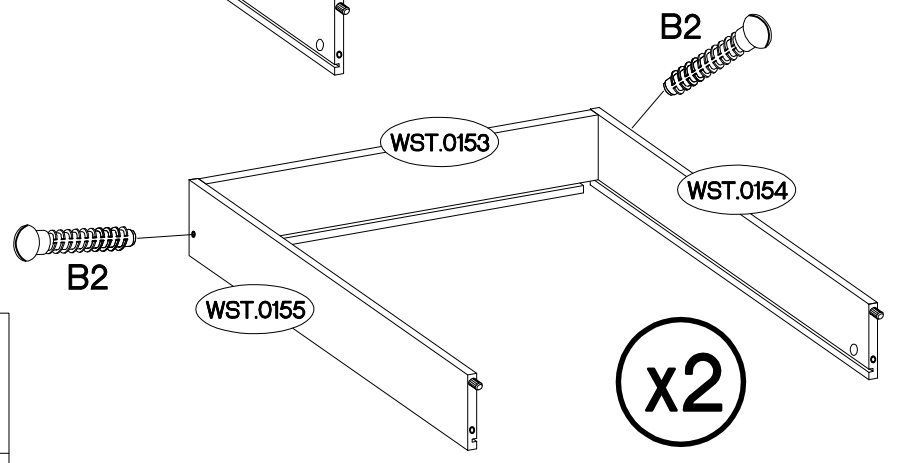
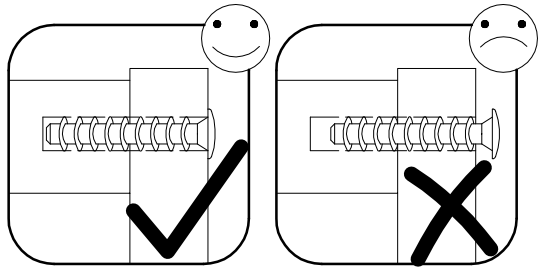
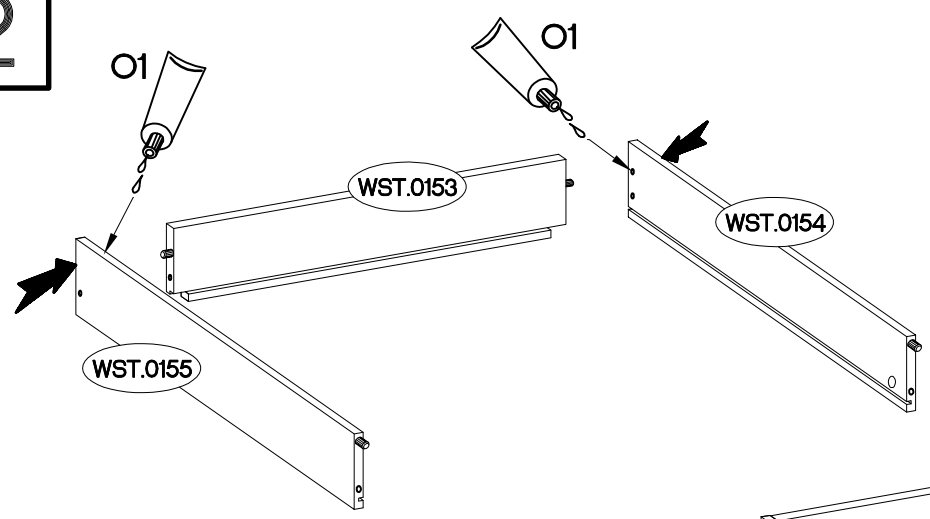
1

±12/10mm  C5	±8x30mm  A	 O1
4	8	1

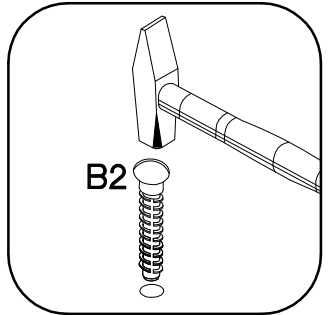




x2

2




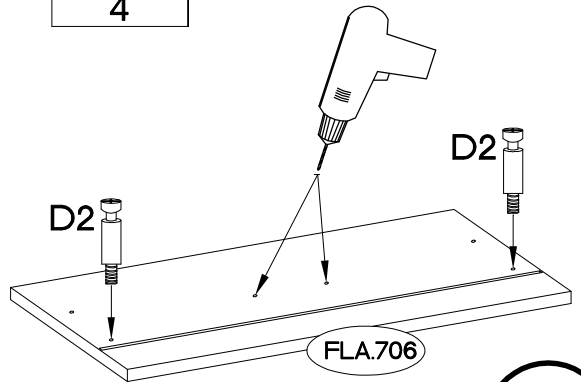
x2



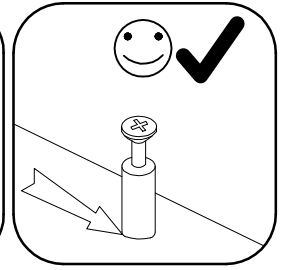
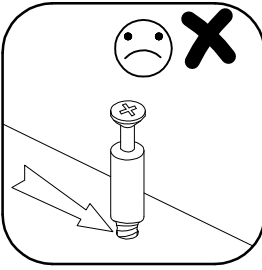
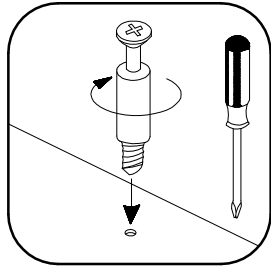
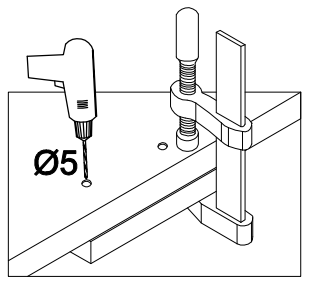
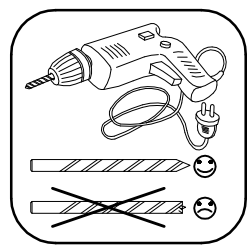
±6x42mm  B2	 O1
4	1

3

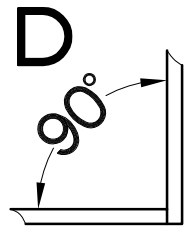
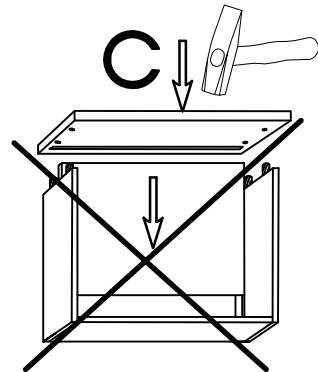
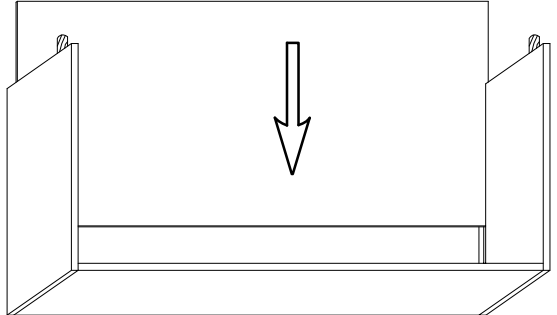
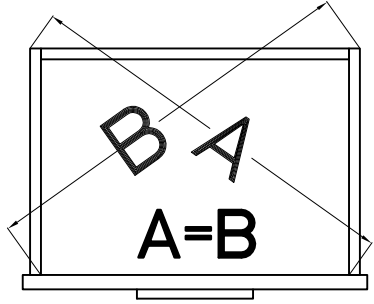
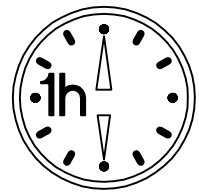
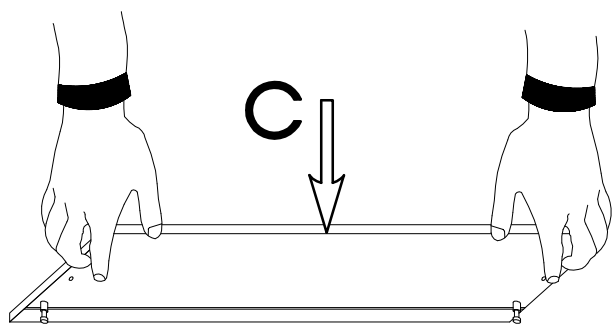
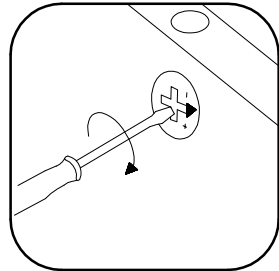
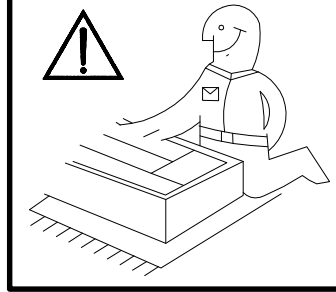
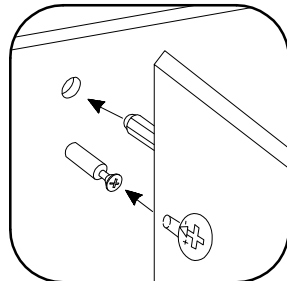
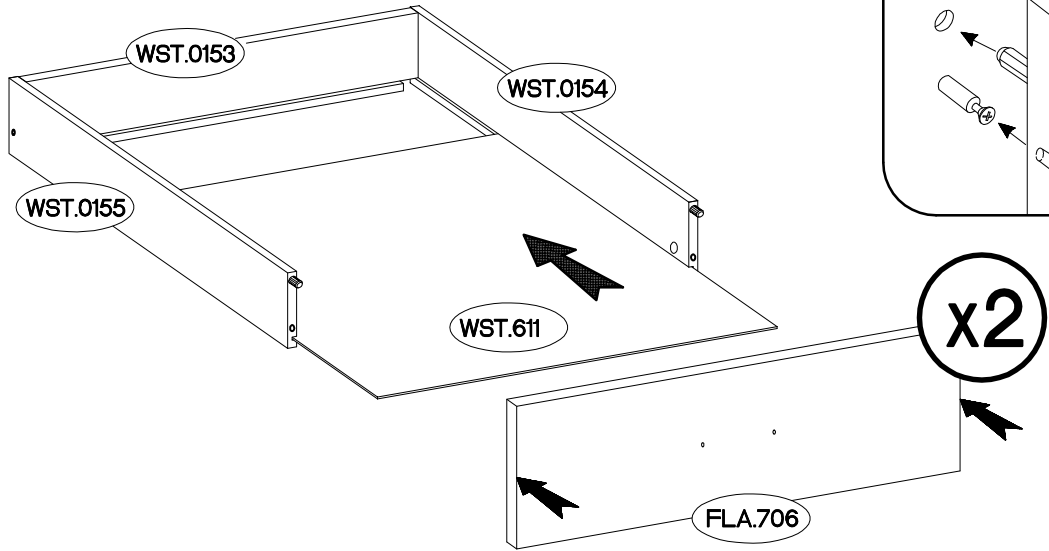
L=20mm  D2
4



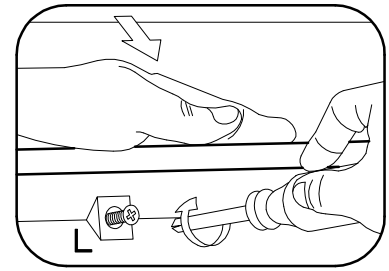
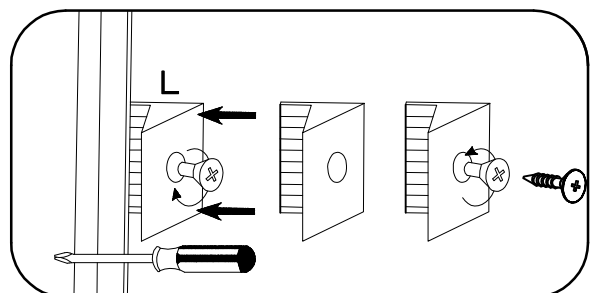
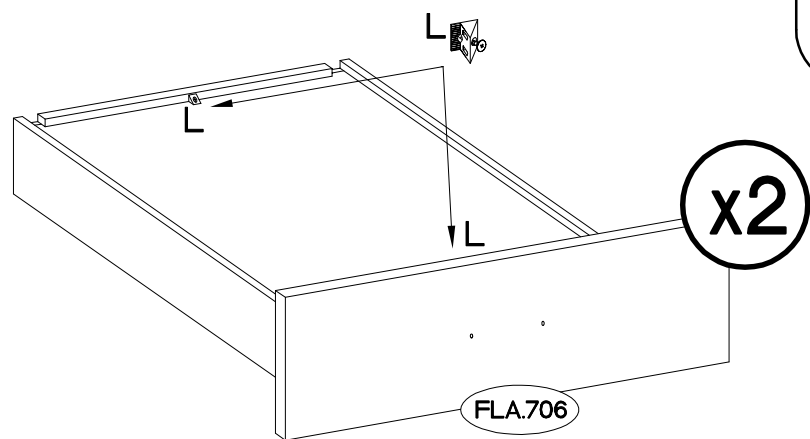
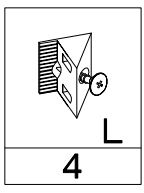
x2






4

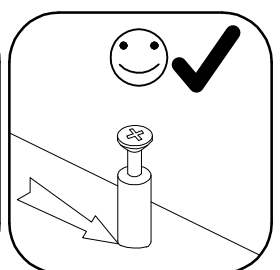
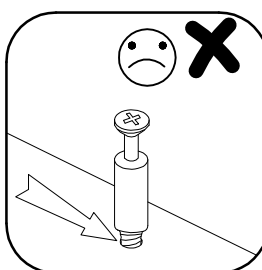
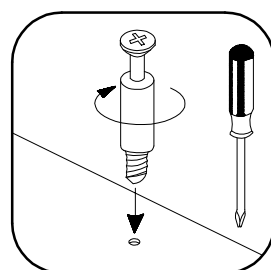
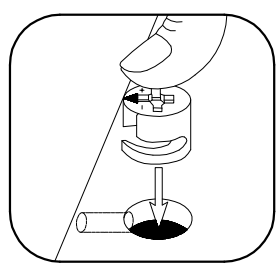
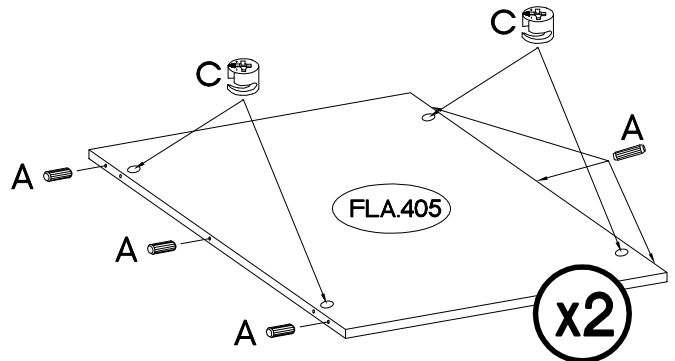
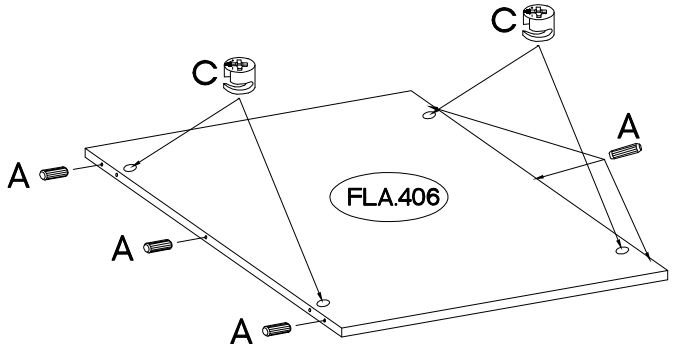
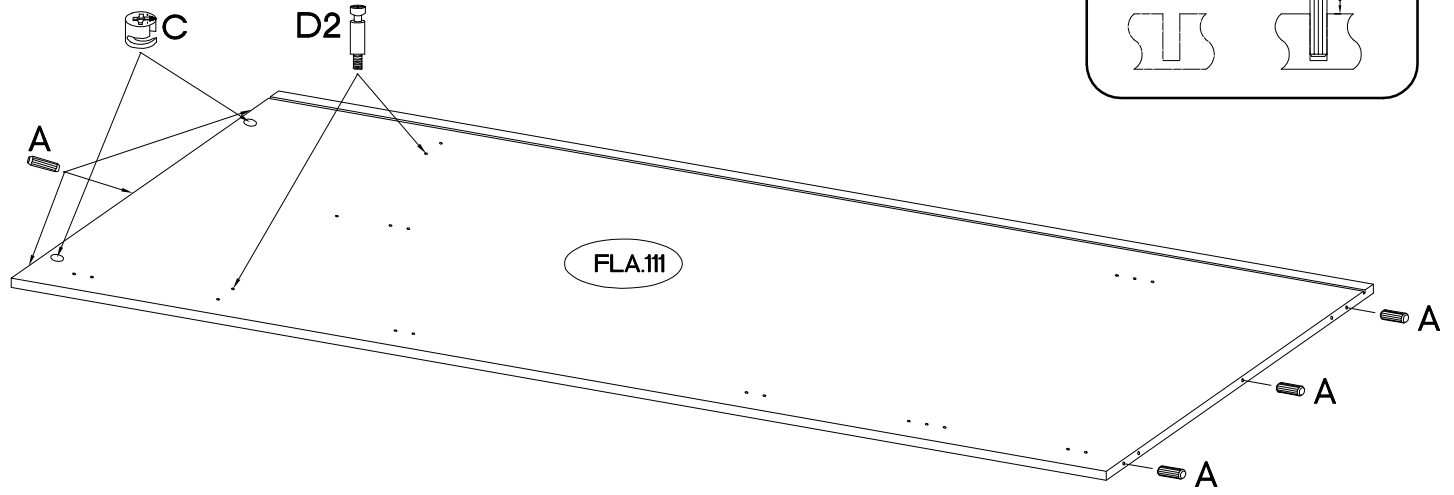
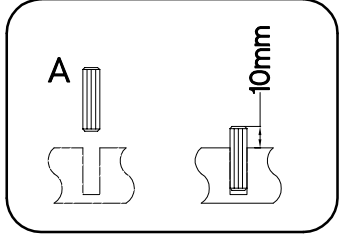
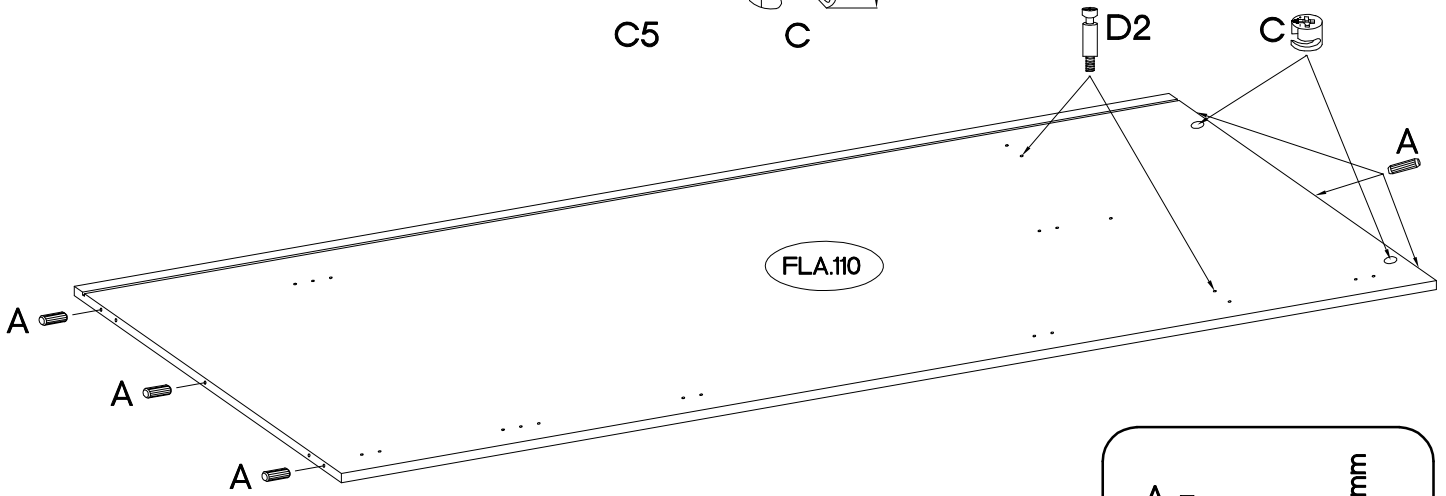
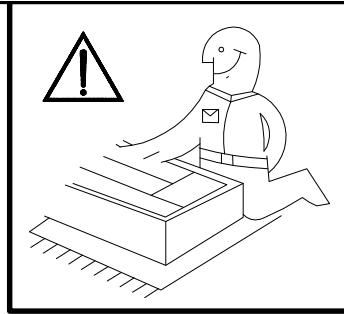
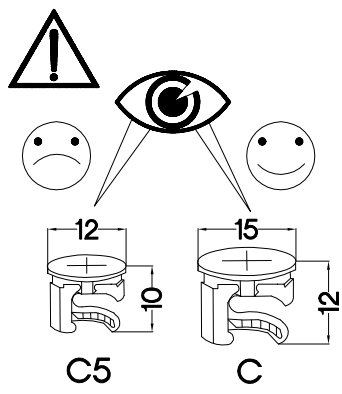


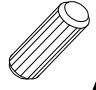

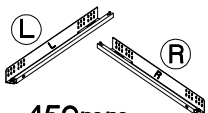

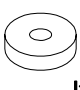

5

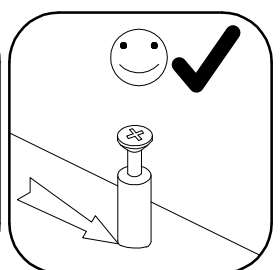
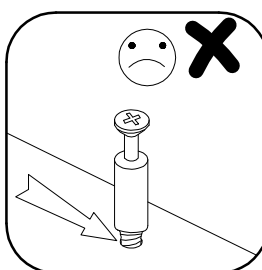
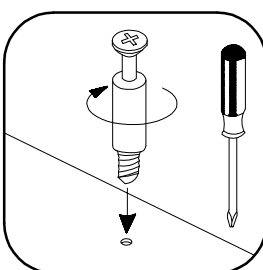
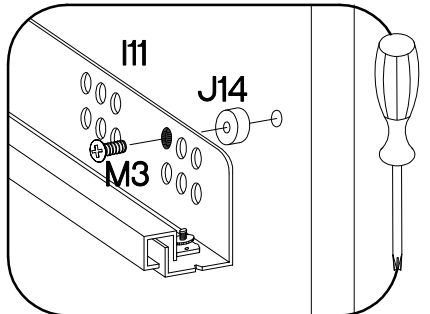
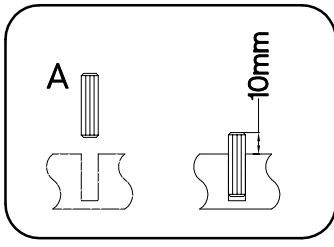
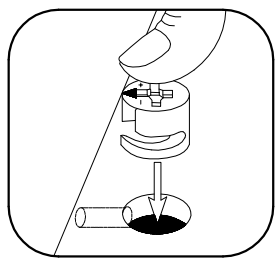
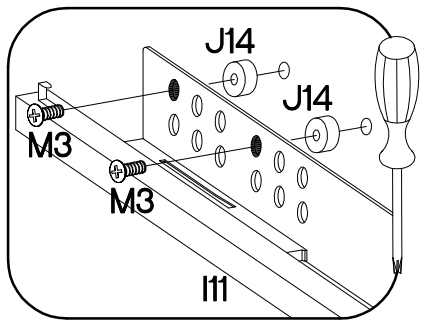
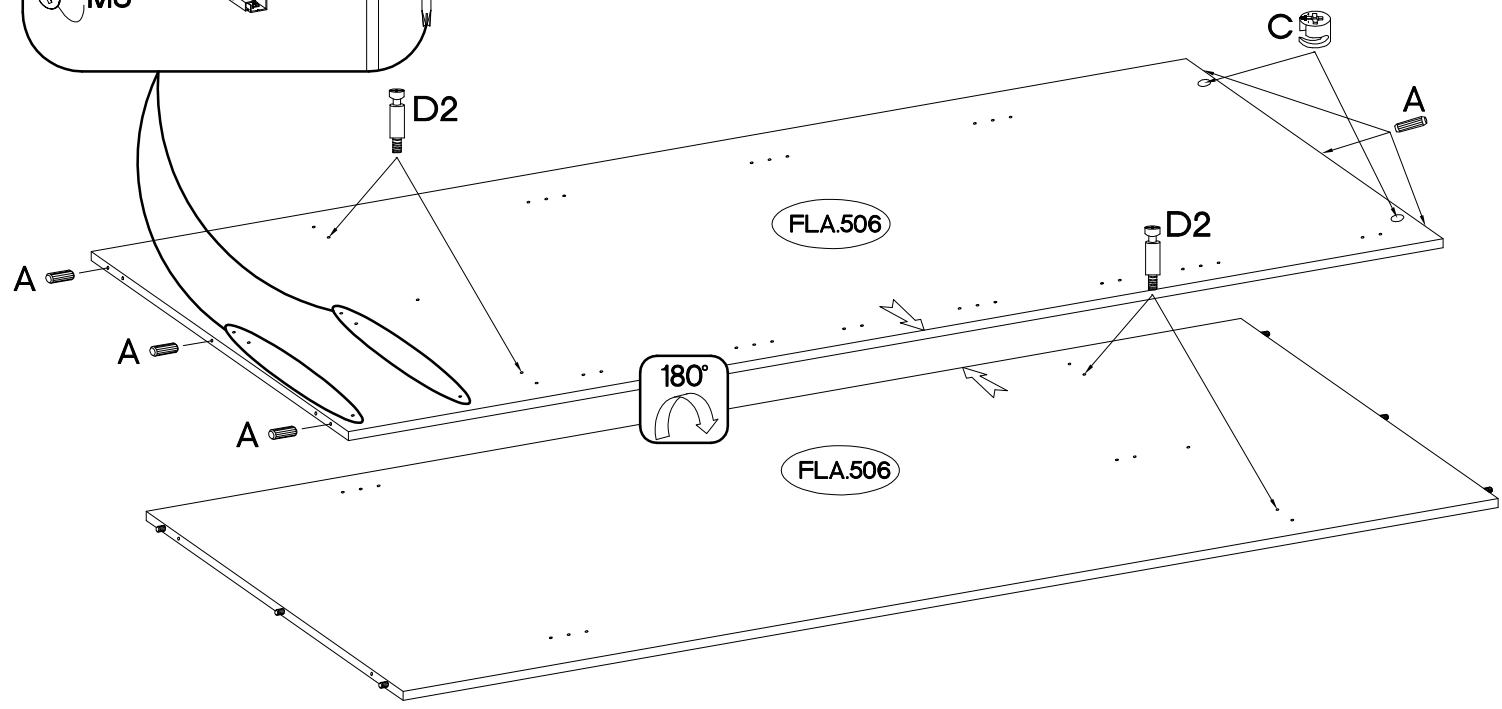
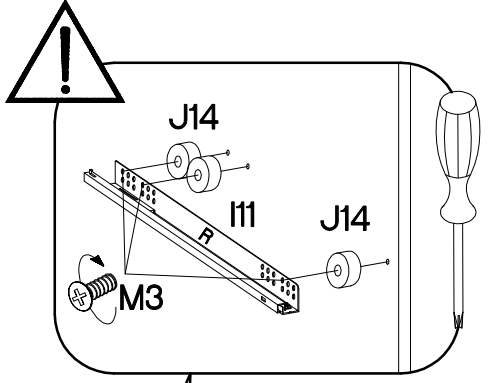
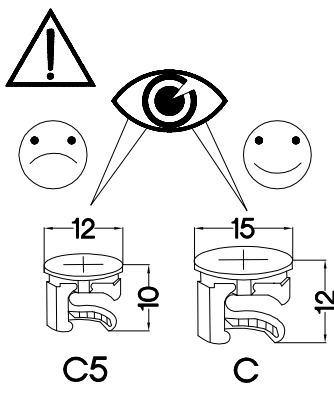
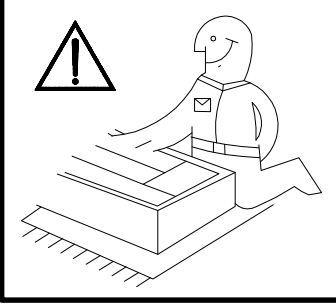


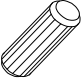

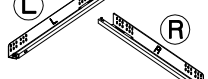

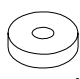



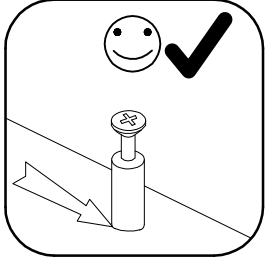
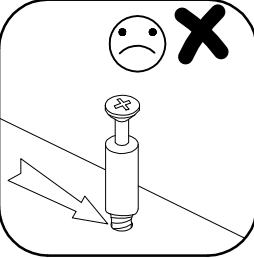
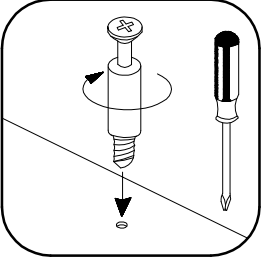
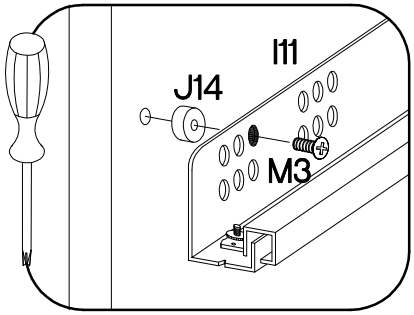
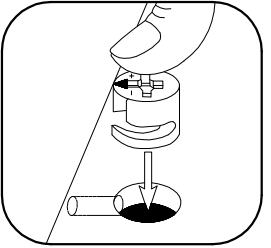
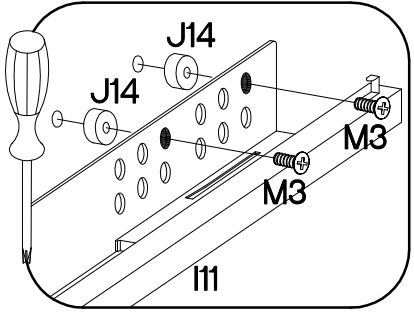
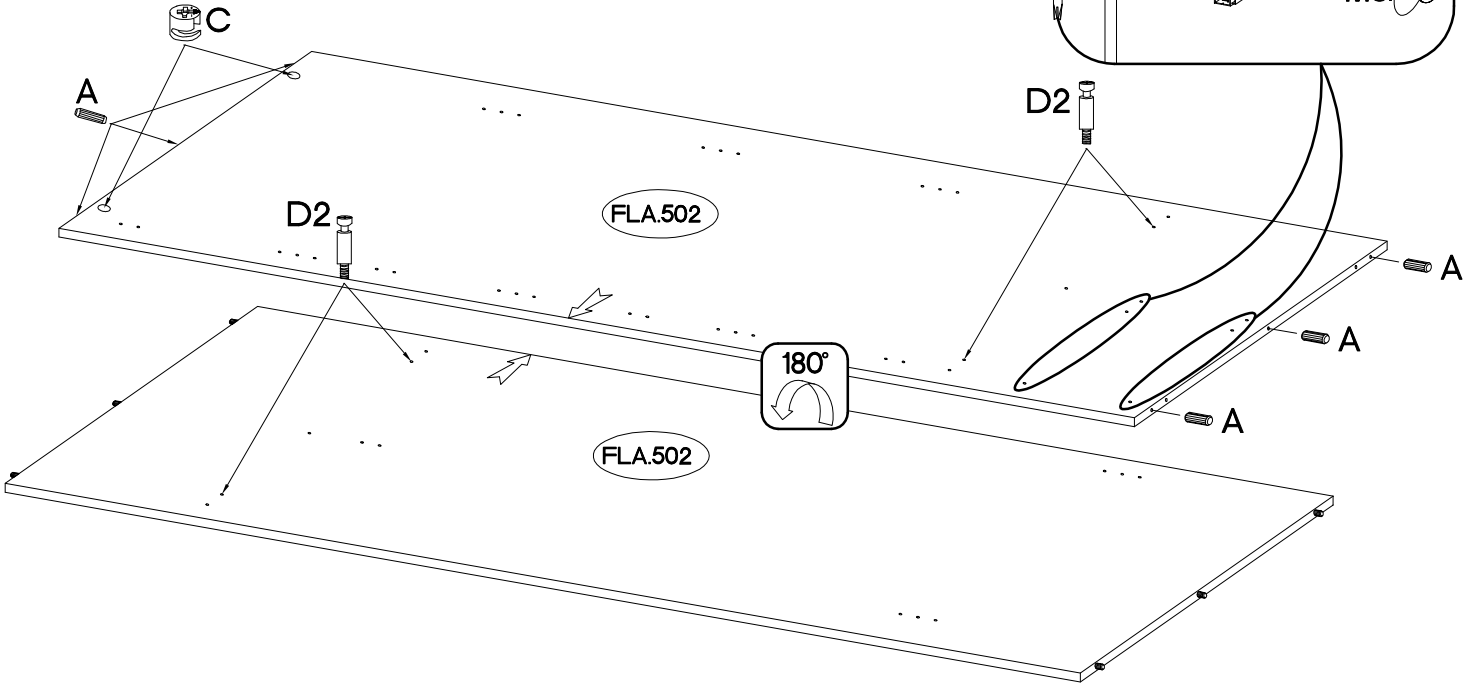
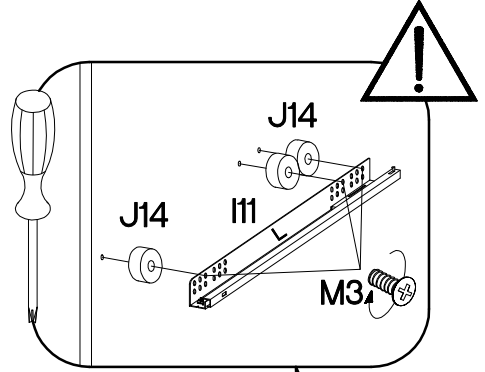
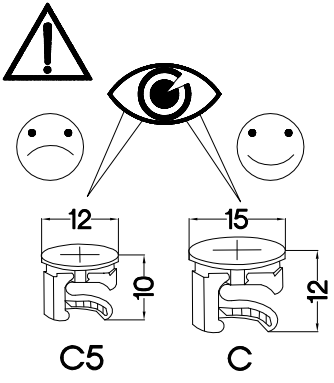
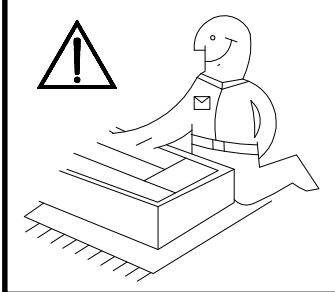
±8x30mm	±15/12mm	L=20mm
		
A	C	D2
30	16	4



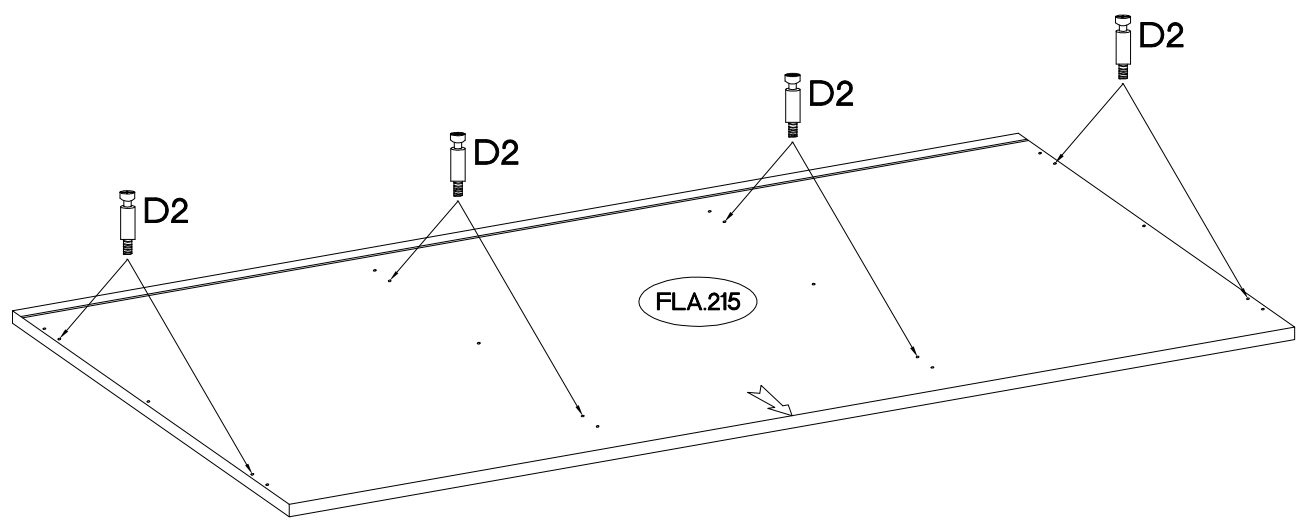
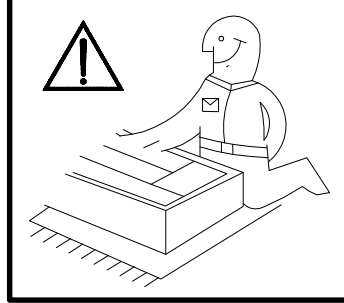
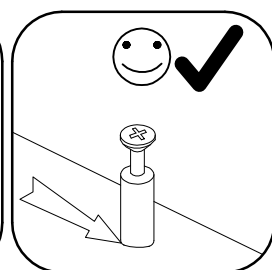
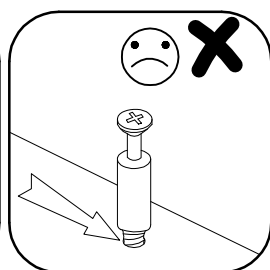
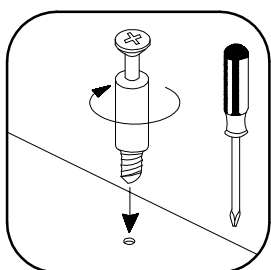
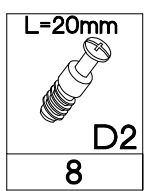
$\pm 8 \times 30 \text{mm}$  A	$\pm 15 / 12 \text{mm}$  C	L=450mm  I11	$\pm 6.3 \times 20 \text{mm}$  M3	$\pm 20 / 8 \text{mm}$  J14	L=20mm  D2
6	2	2	6	6	4



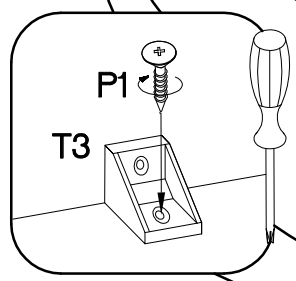
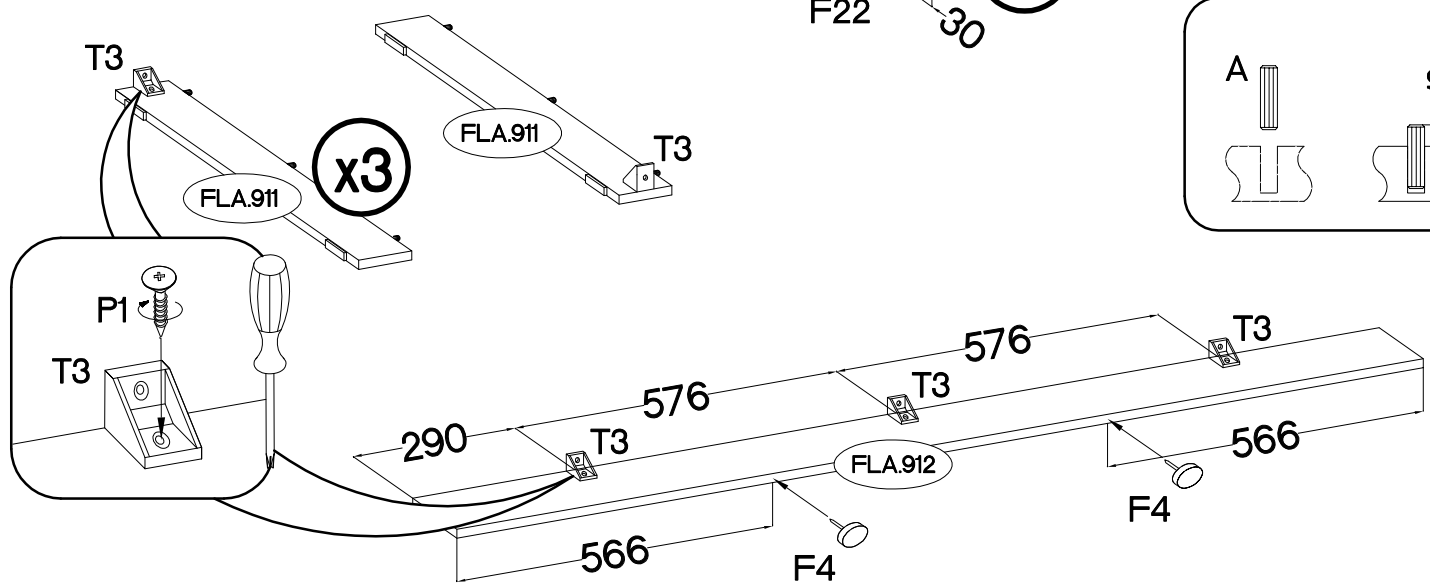
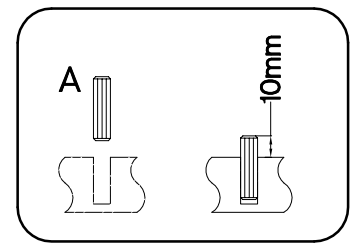
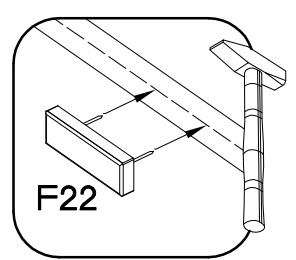
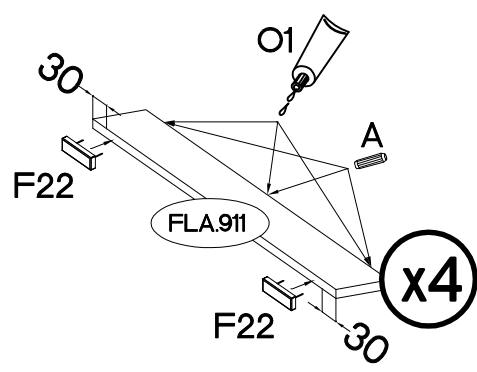
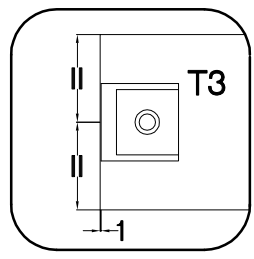
+8x30mm  A	+15/12mm  C	L=450mm  I11	+6.3x20mm  M3	+20/8mm  J14	L=20mm  D2
6	2	2	6	6	4



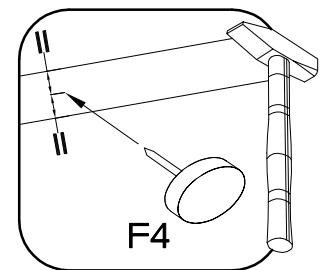
9



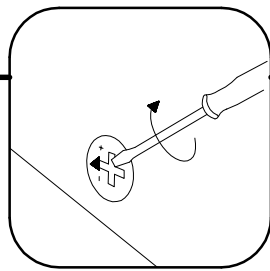
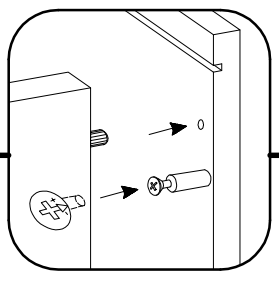
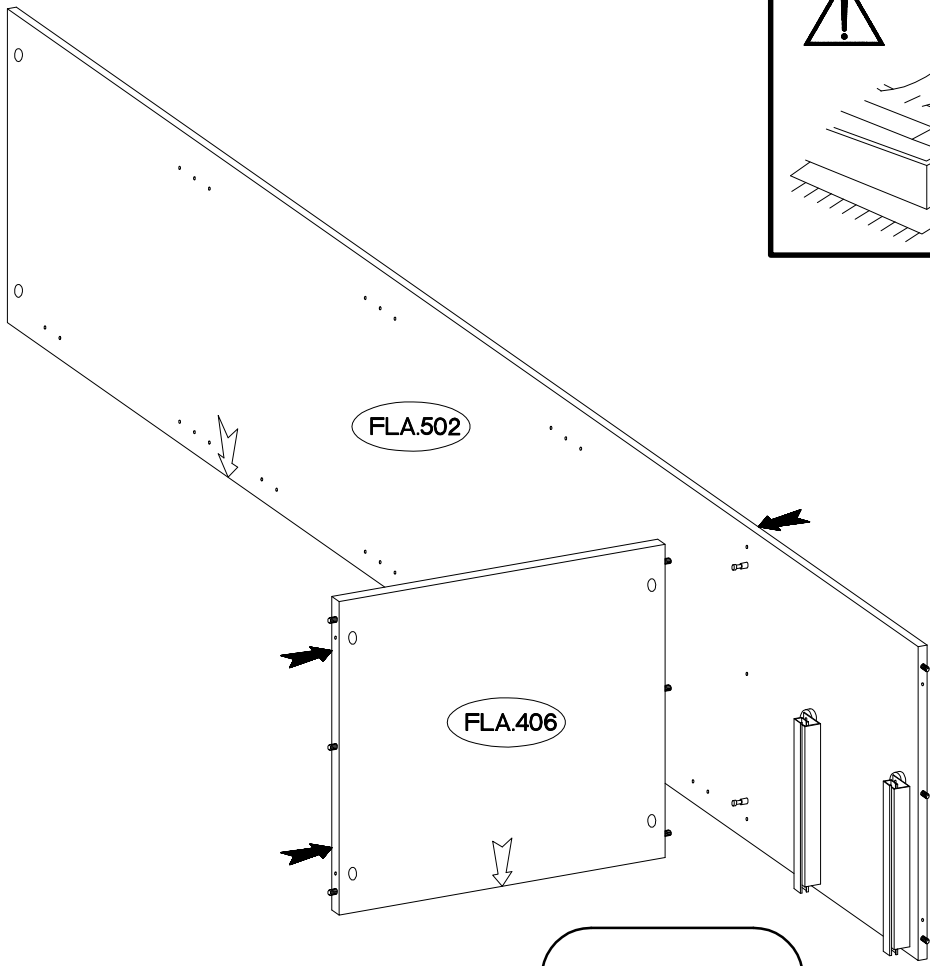
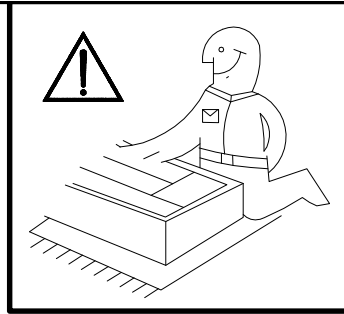
10



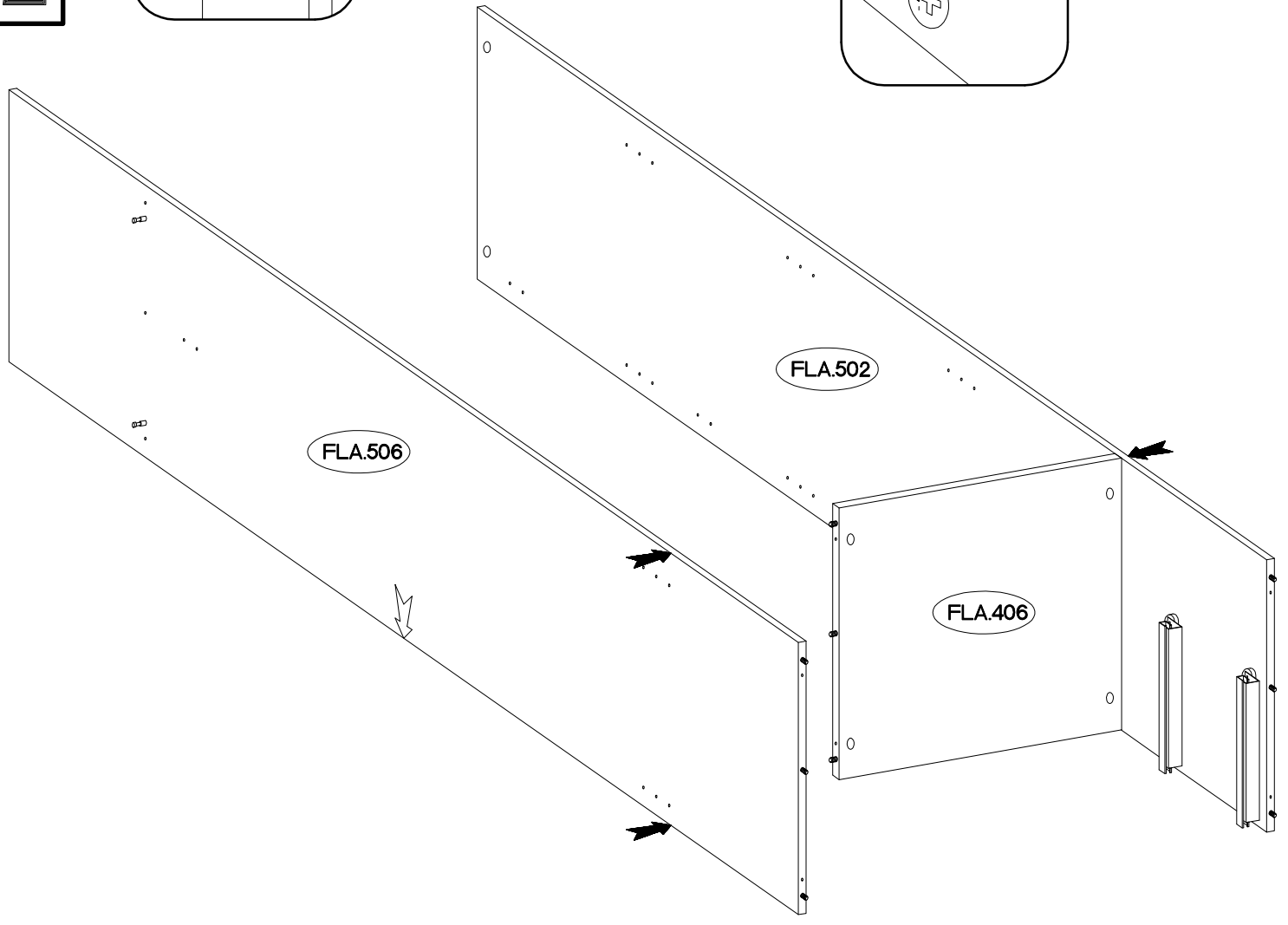
T3	P1	F22	F4	O1	A
7	7	8	2	1	12



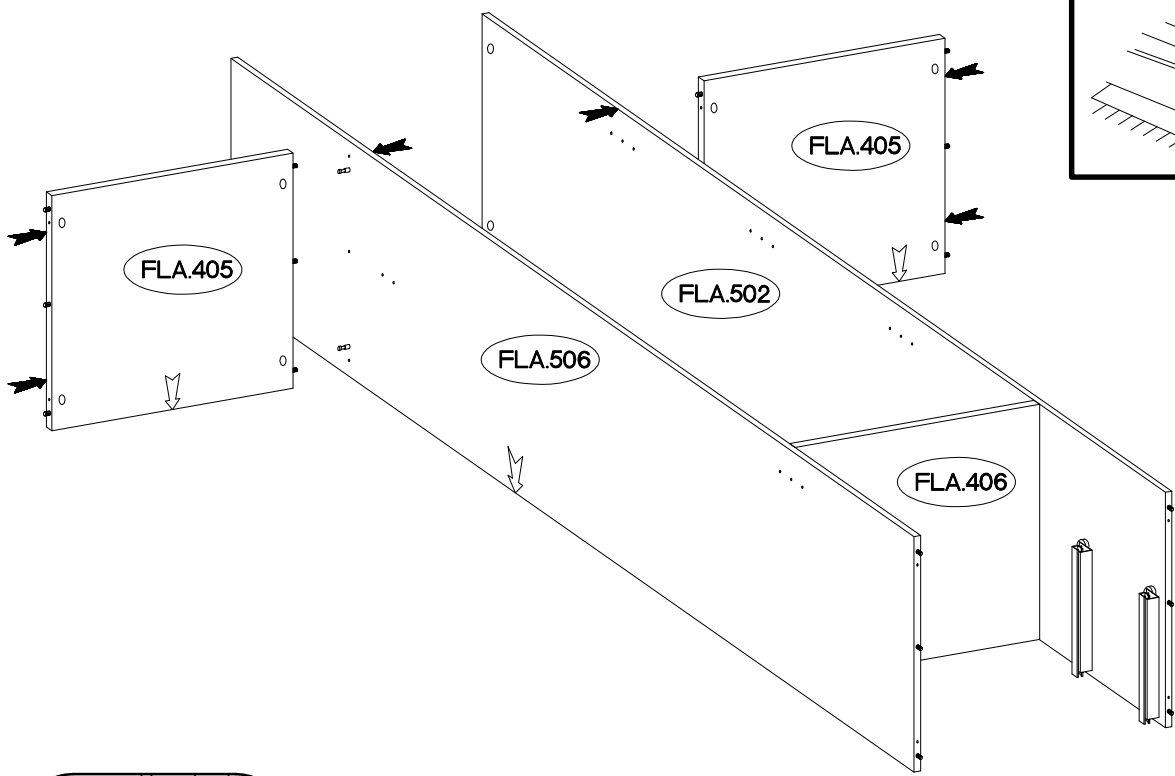
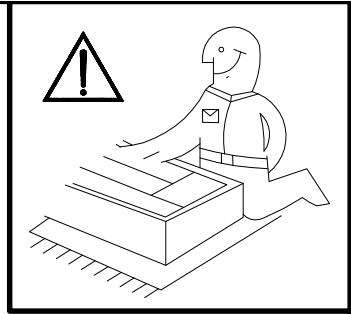
11



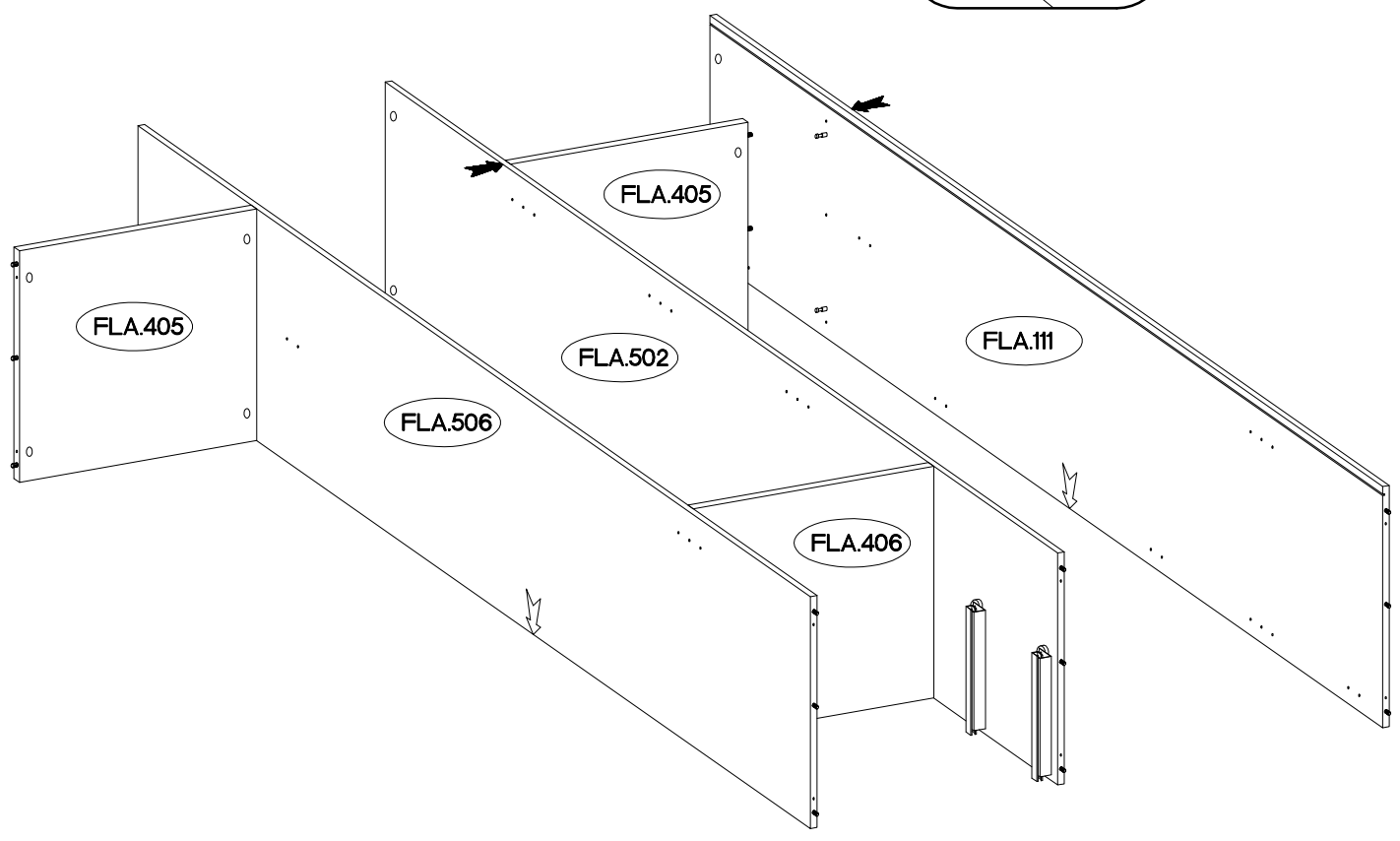
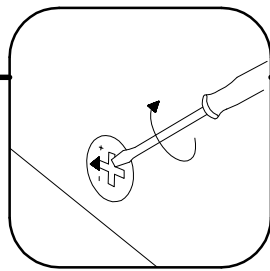
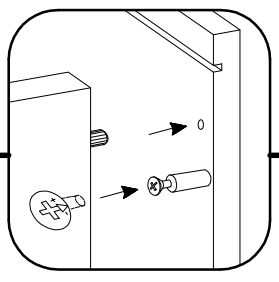
12

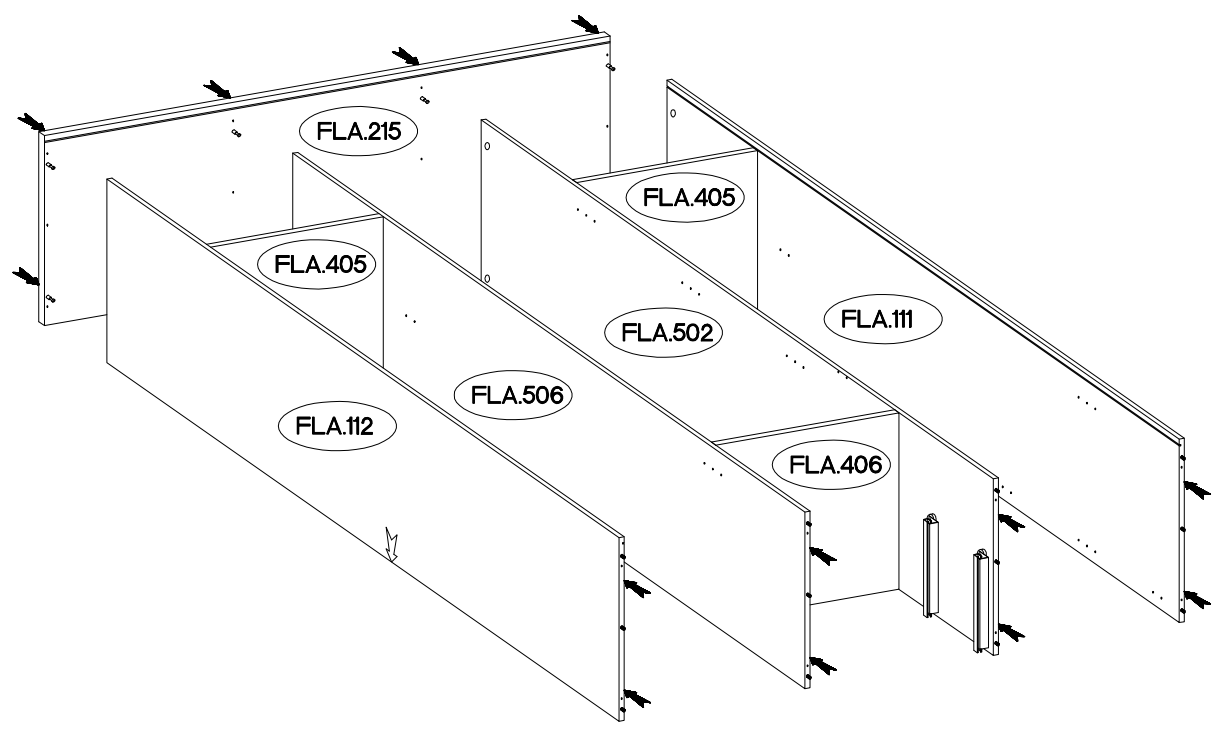
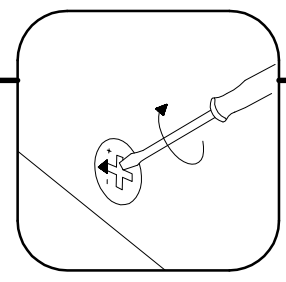
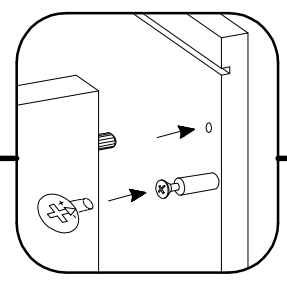
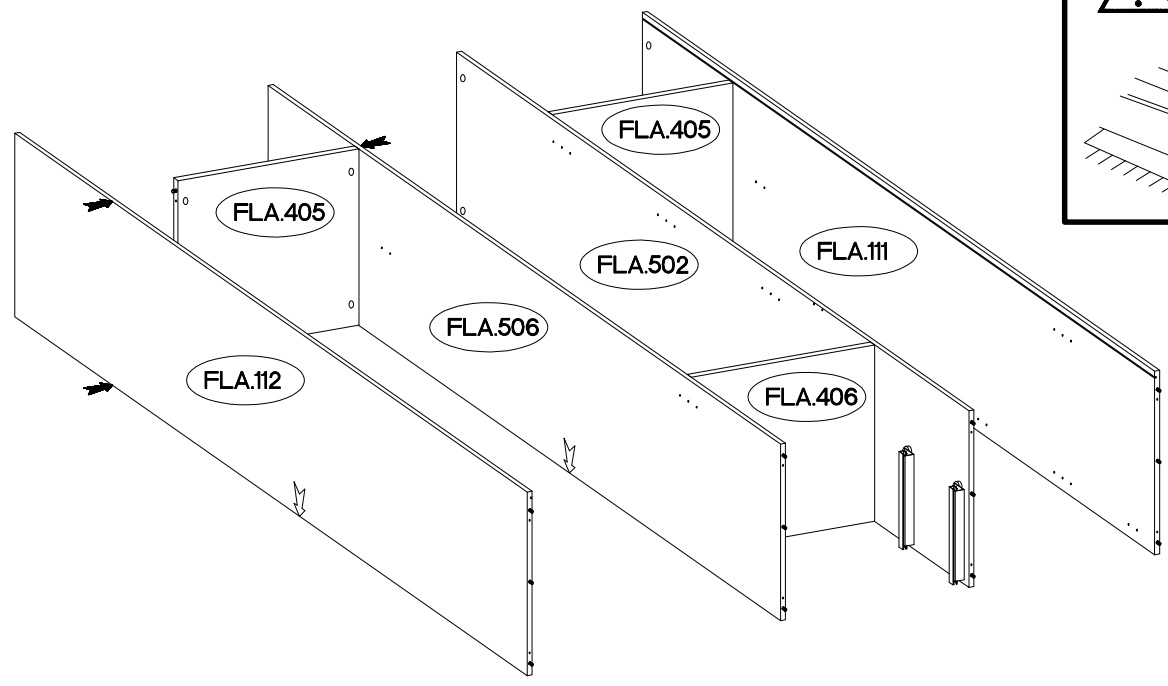
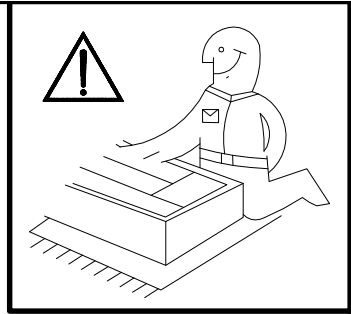


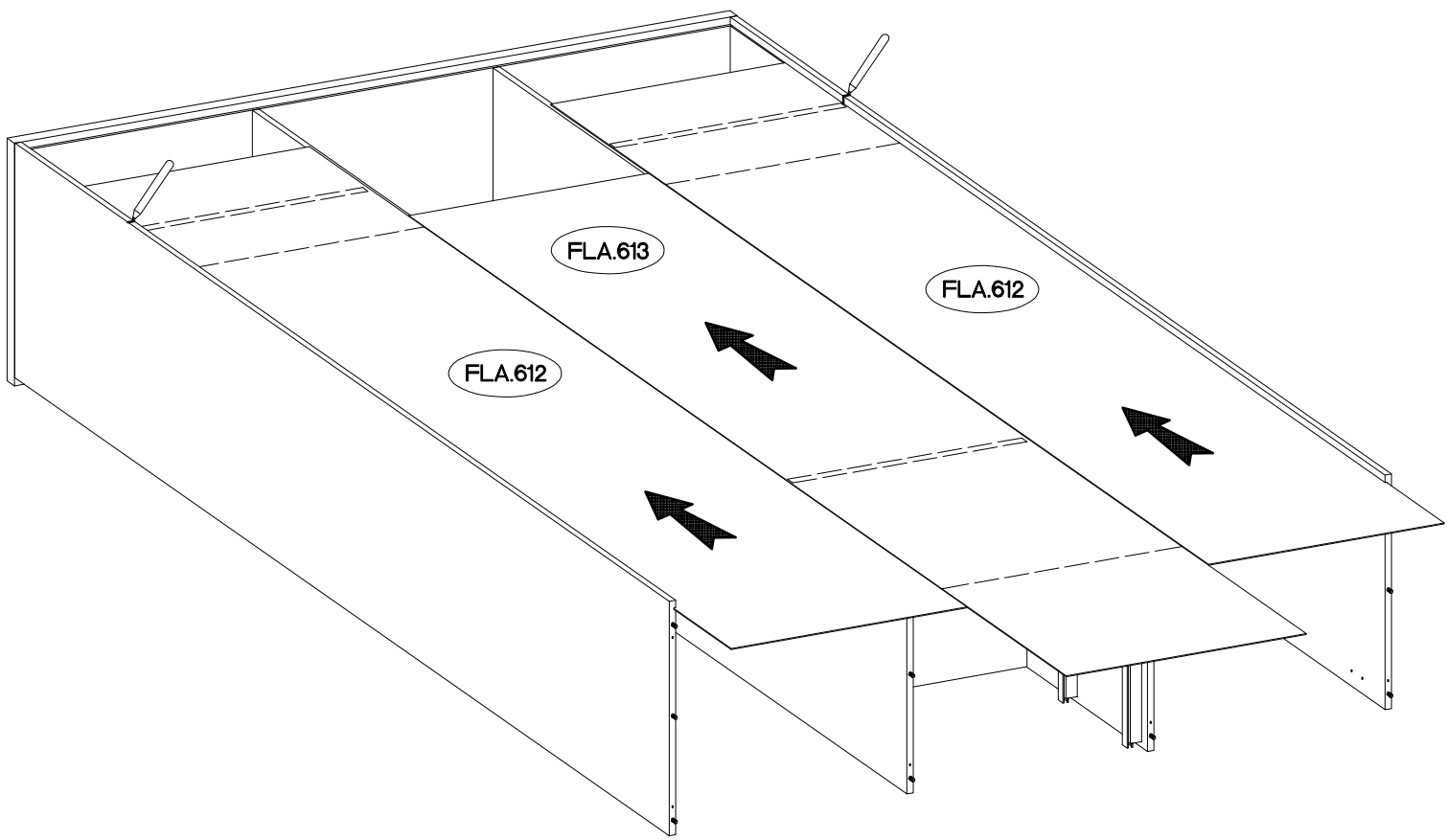
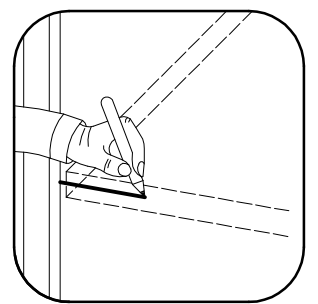
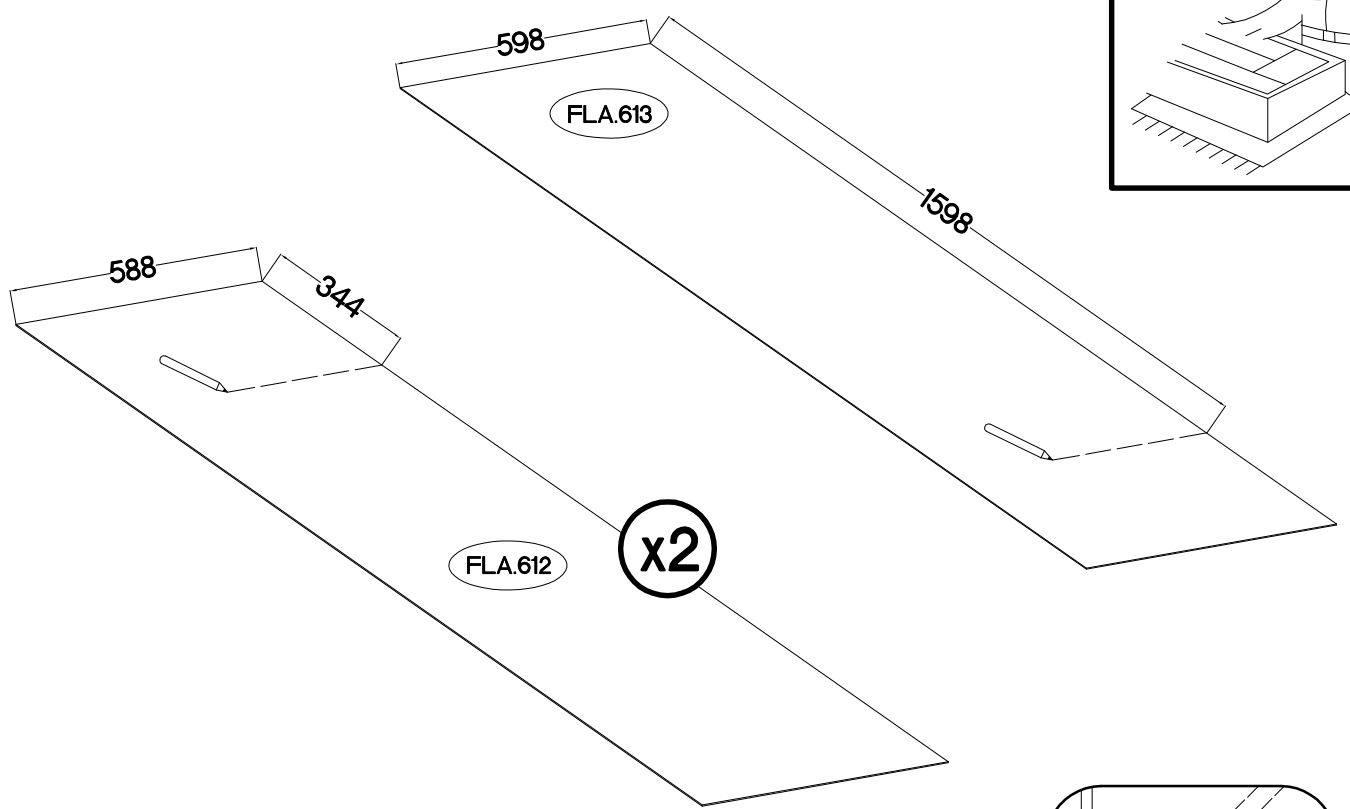
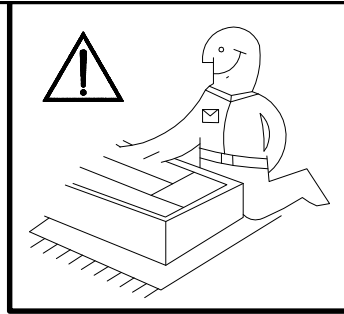
13



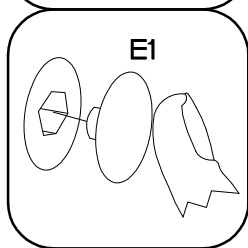
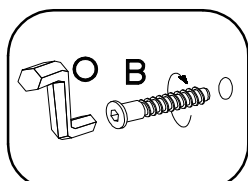
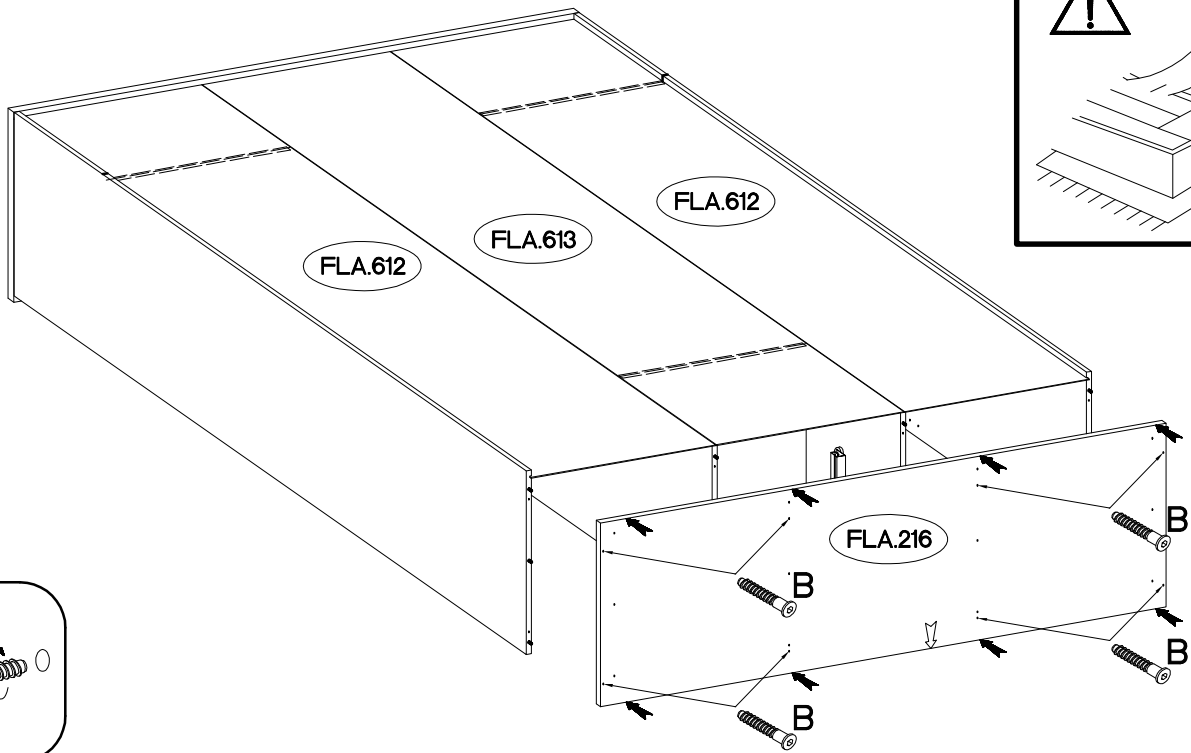
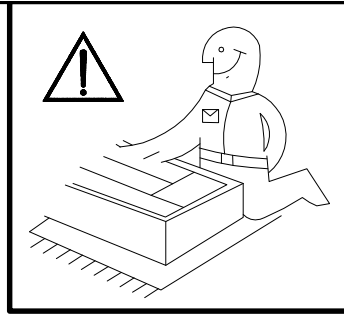
14



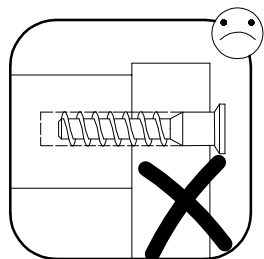
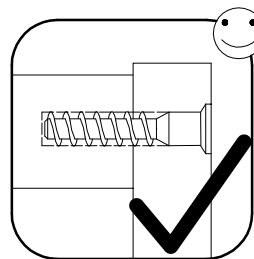




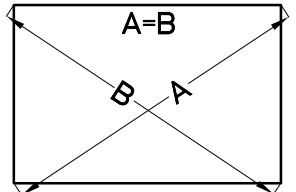
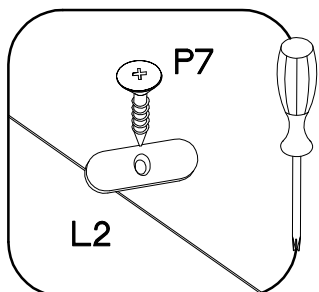
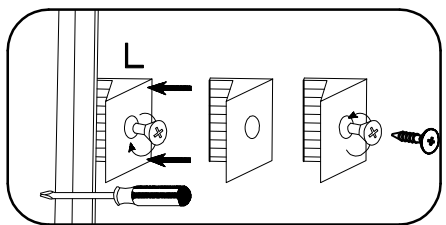
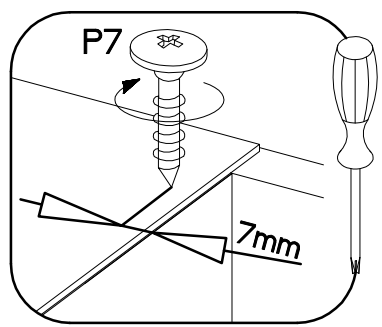
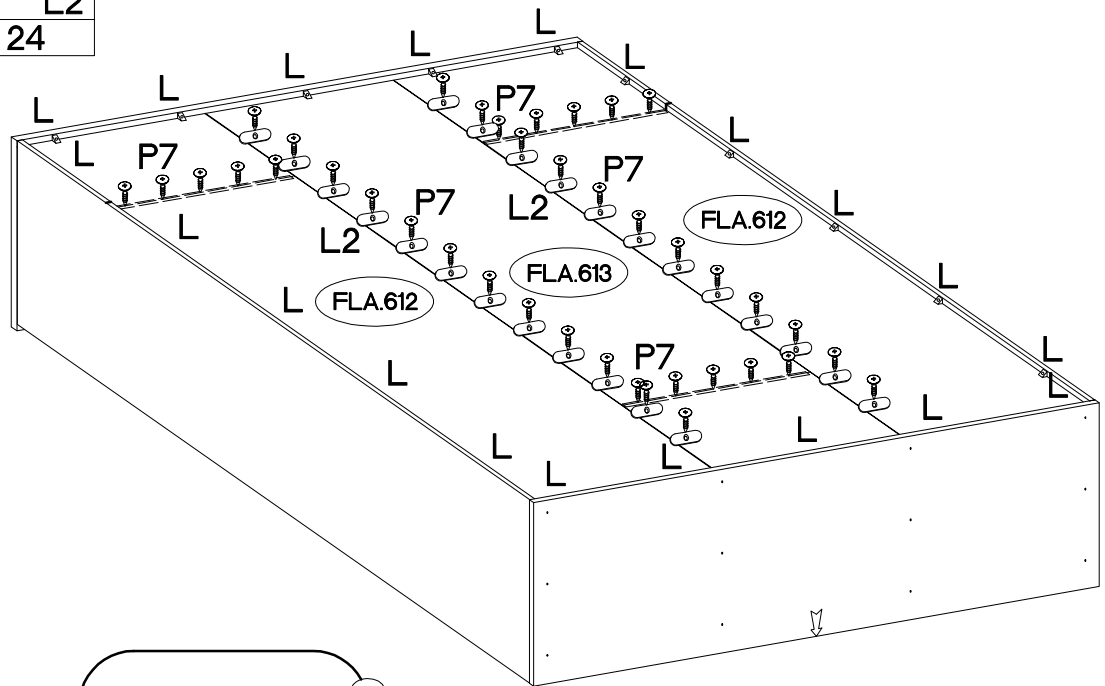




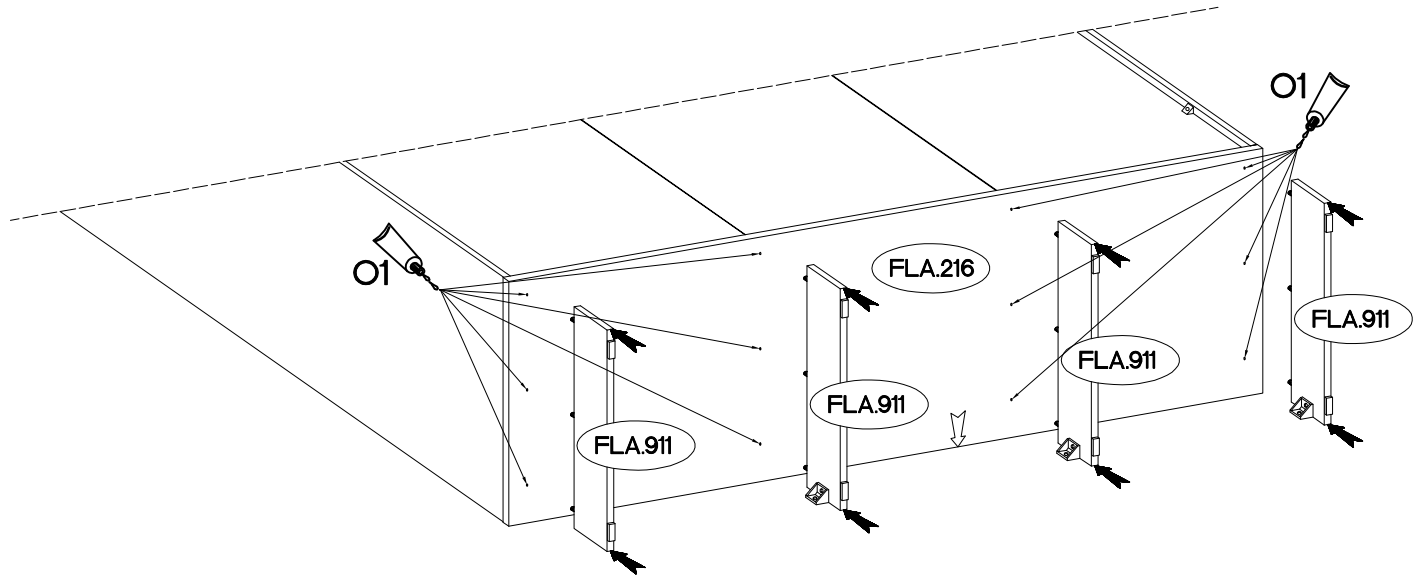
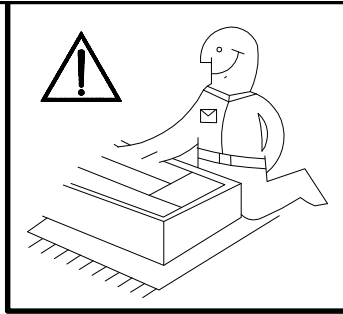
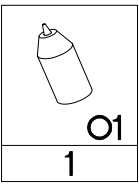
6,4 x 50mm		
<b>B</b>	<b>O</b>	<b>E1</b>
8	1	4



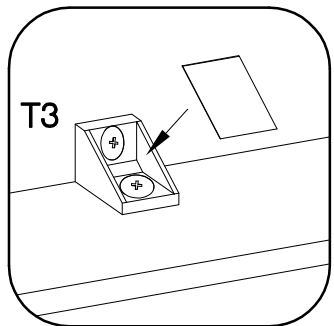
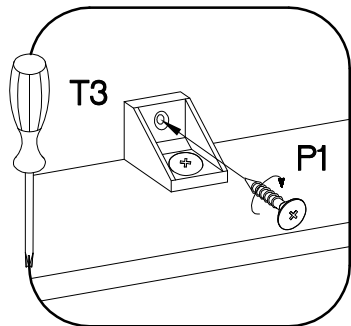
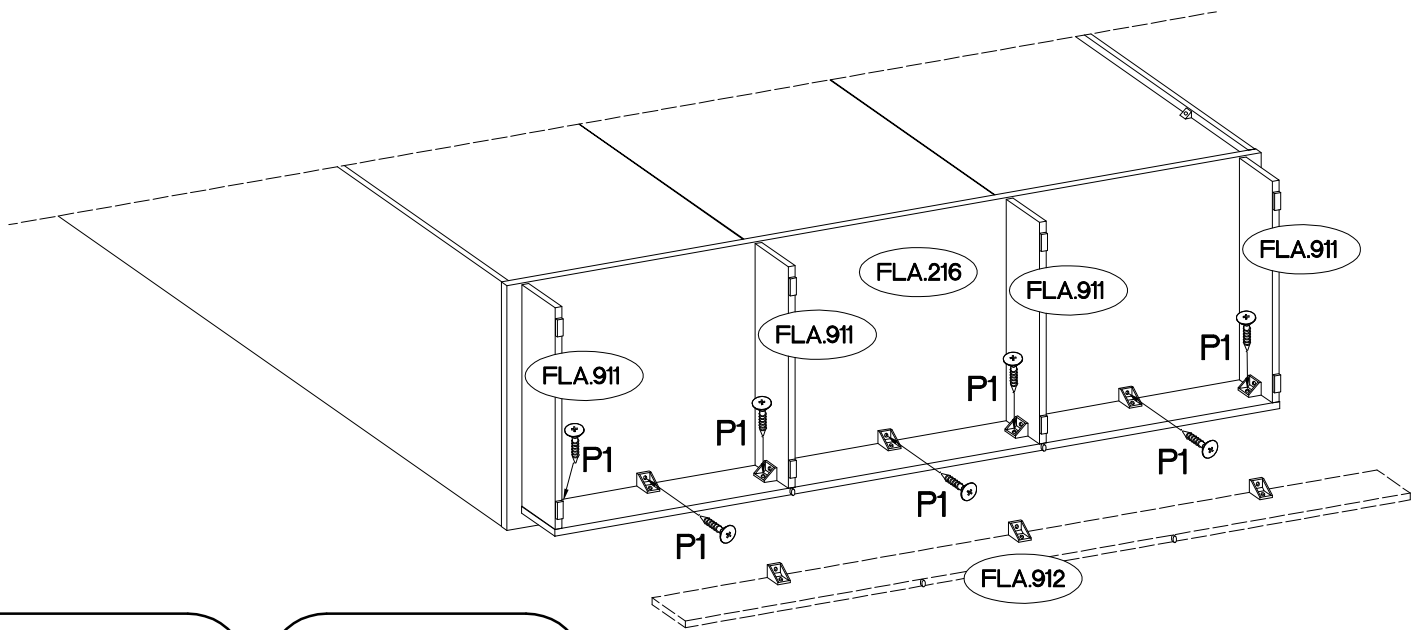
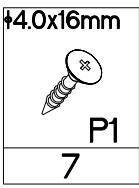
	$\pm 3.0 \times 20 \text{mm}$ 	
<b>L</b>	<b>P7</b>	<b>L2</b>
20	35-40	24

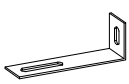





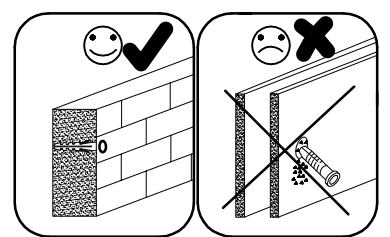
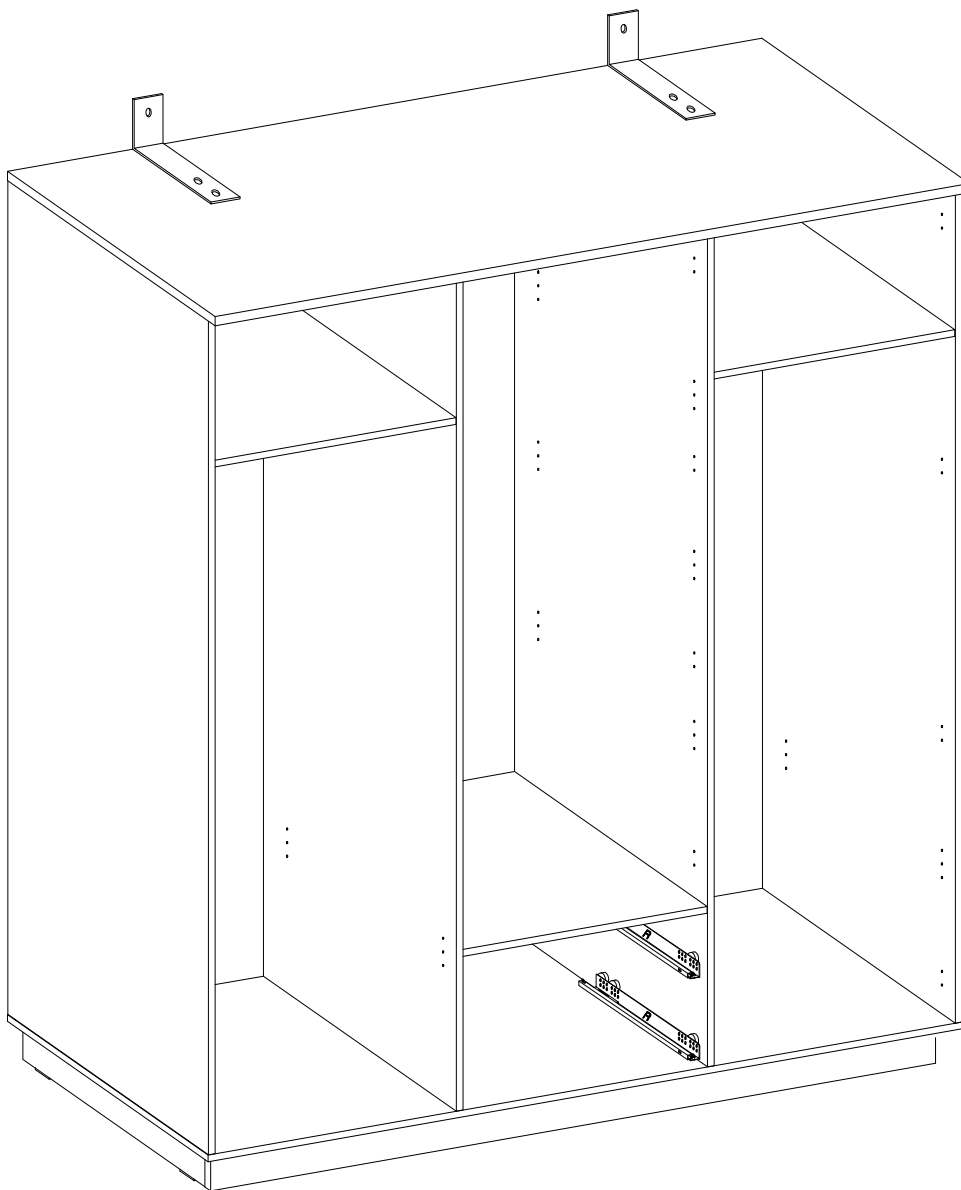
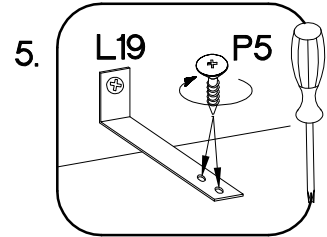
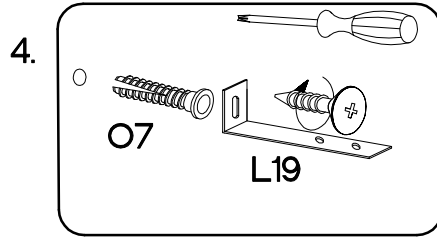
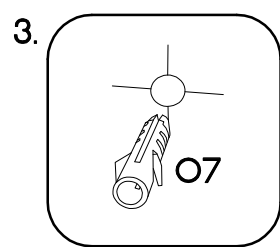
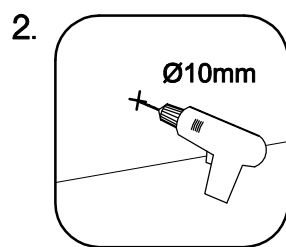
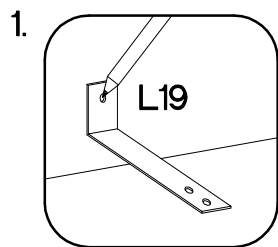
20

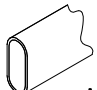





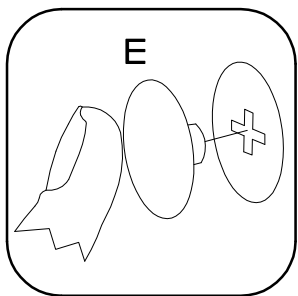
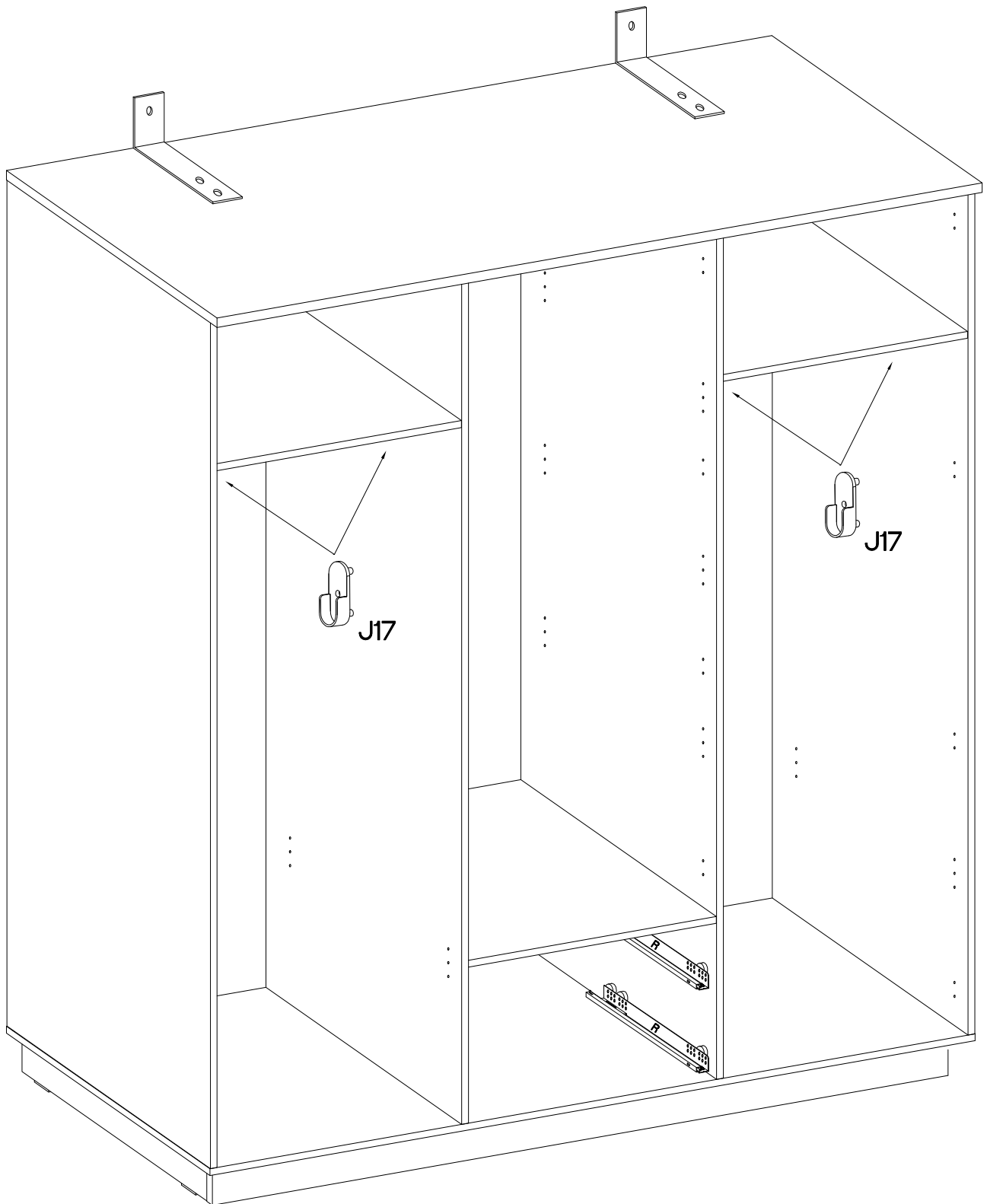
21



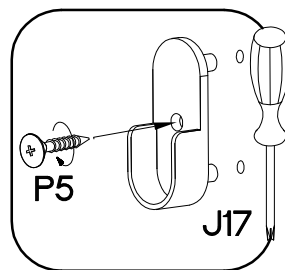
	↑3.5x13mm	↑5.0x60mm	↑10x50mm
			
L19	P5	P12	O7
2	4	2	2



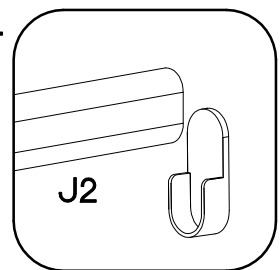
L=570mm  J2 2	 J17 4	φ3.5x13mm  P5 4	 E 20
--	--	--	---



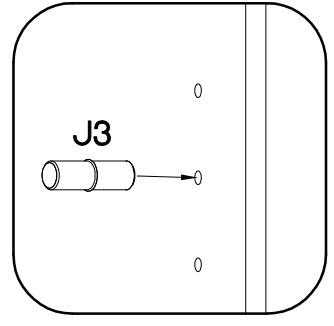
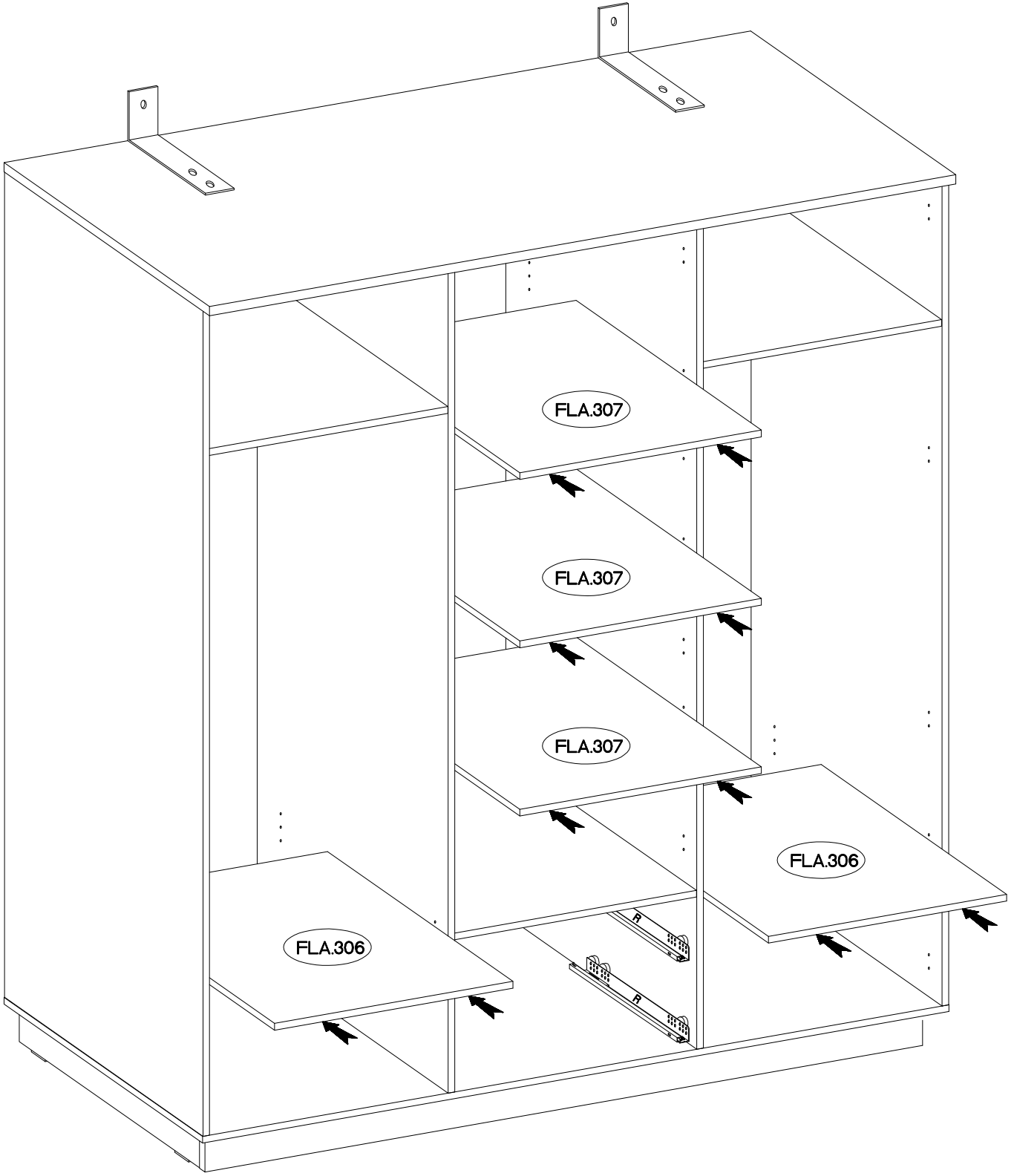
1.



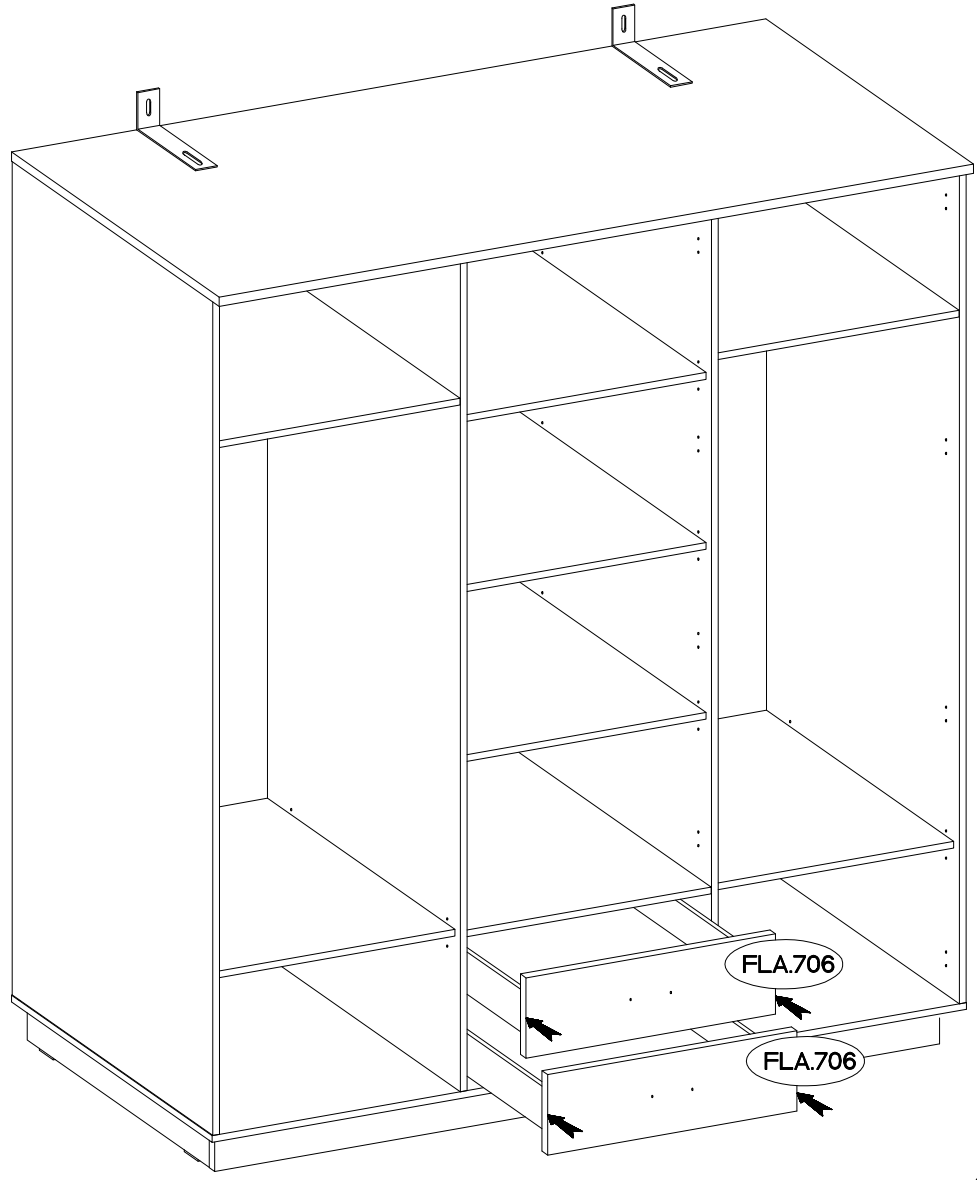
2.



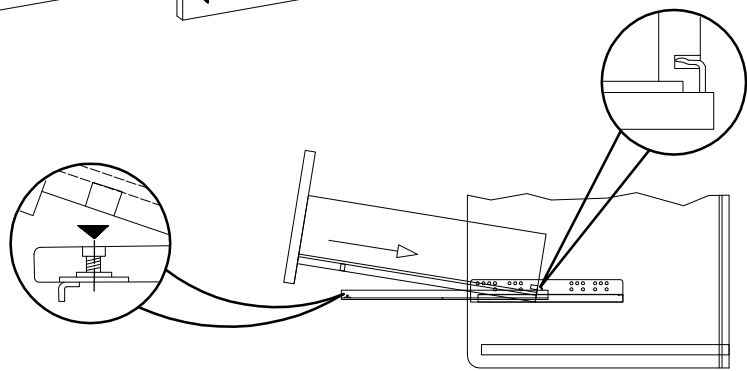
±5/16mm  
J3  
20



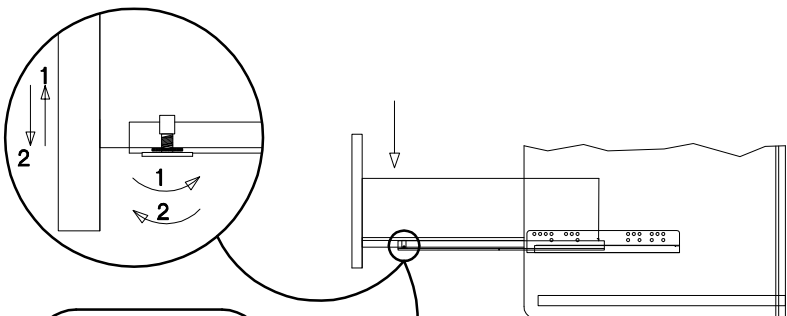
3.0x20mm  
P7  
6



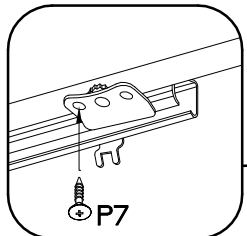
1.

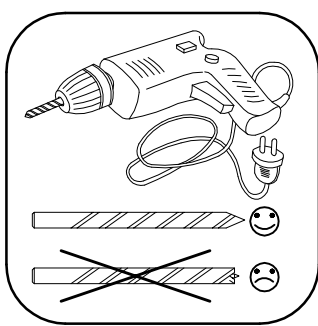
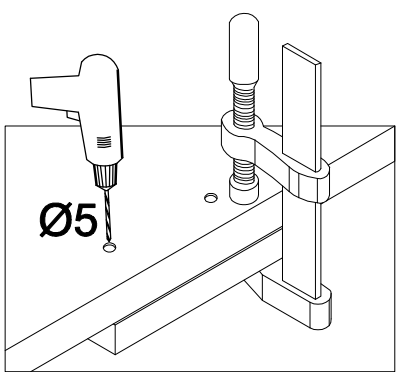
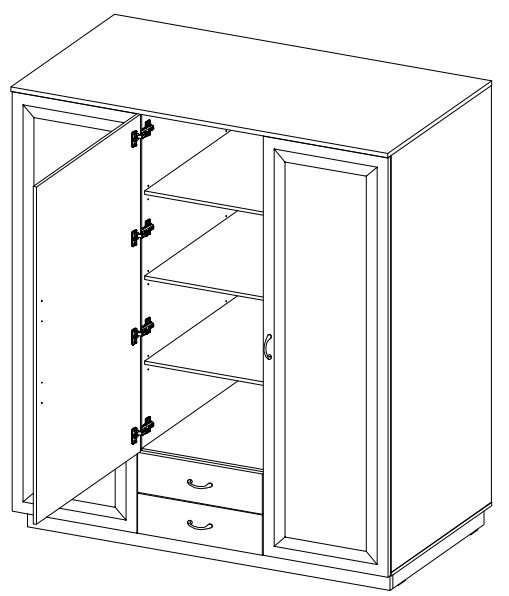
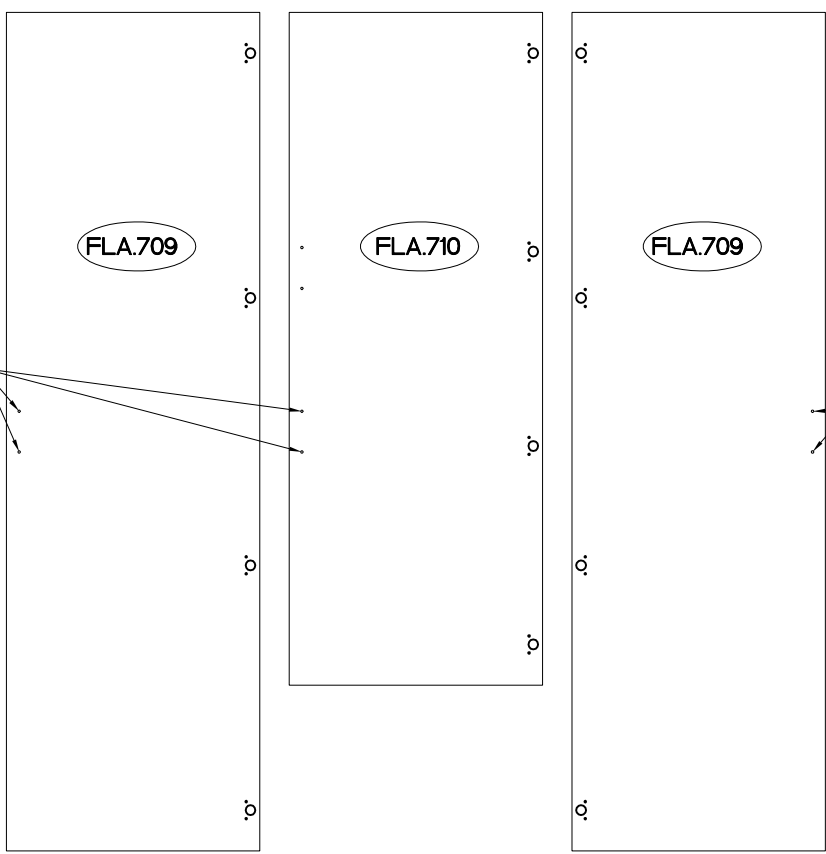
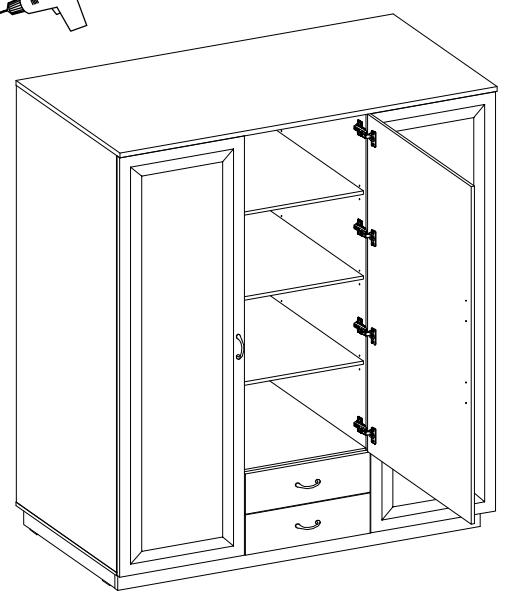
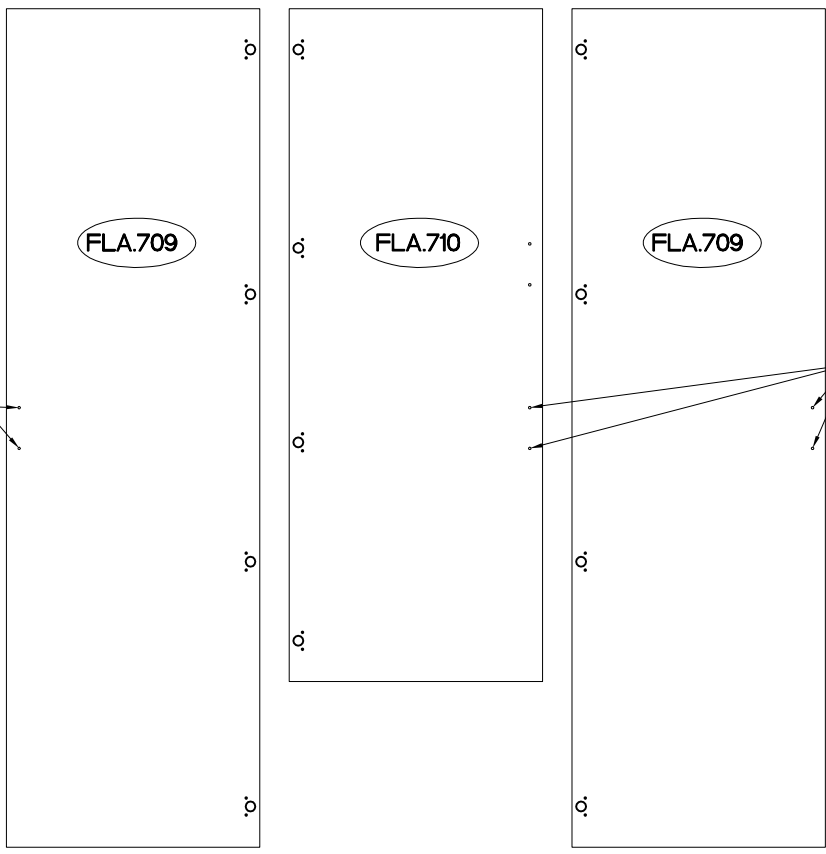



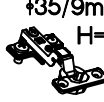

2.

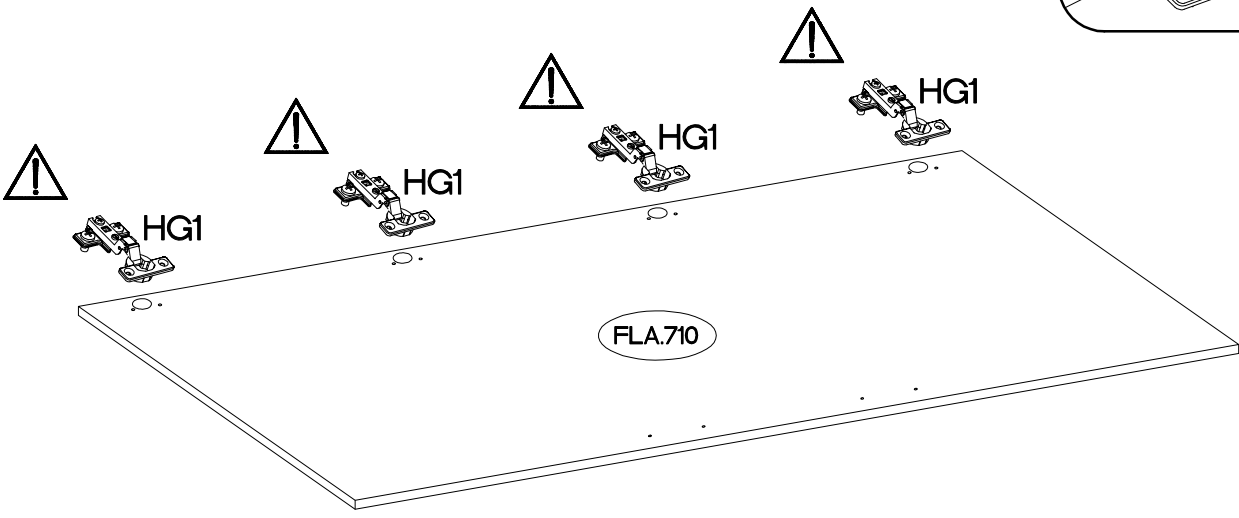
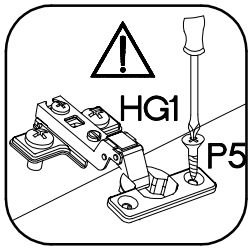
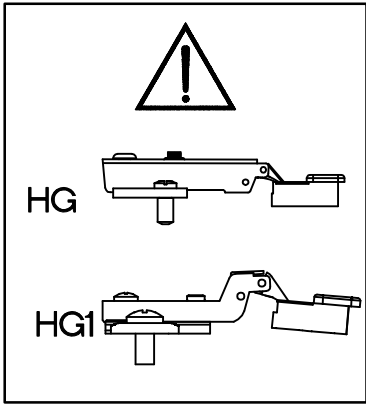
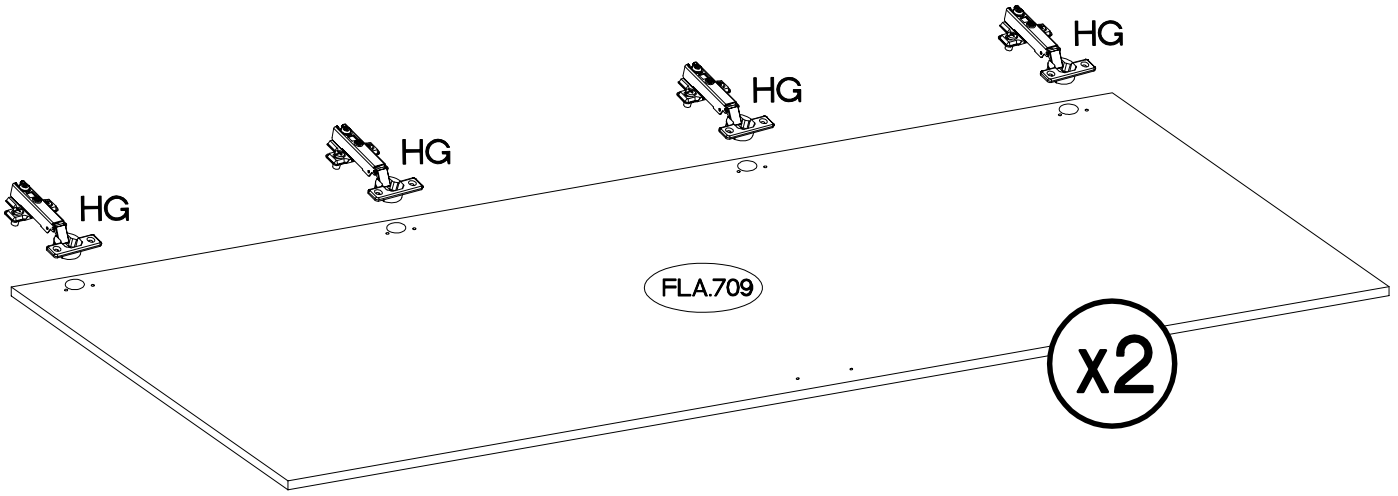
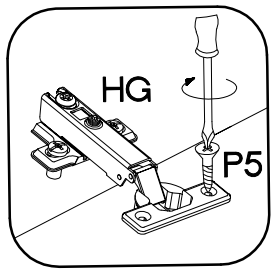


3.





 +35/0mm	 +35/9mm H=0	 +3.5x13mm
HG	HG1	P5
8	4	24





M4x22mm



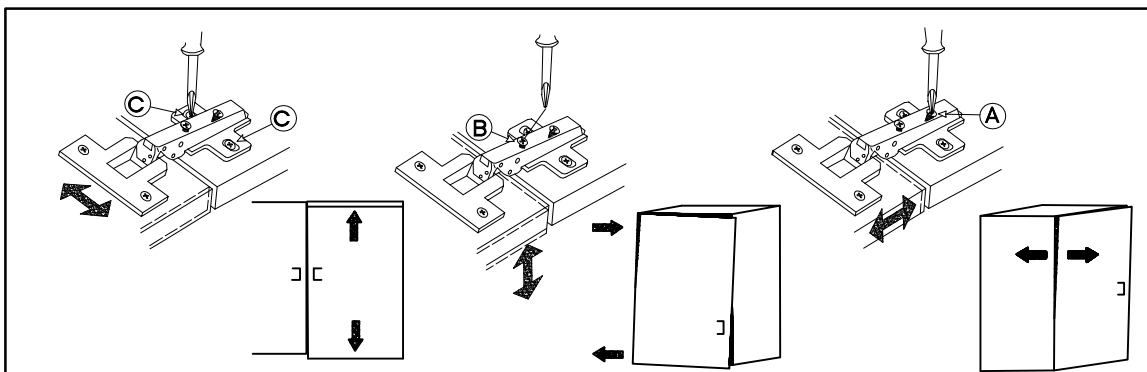
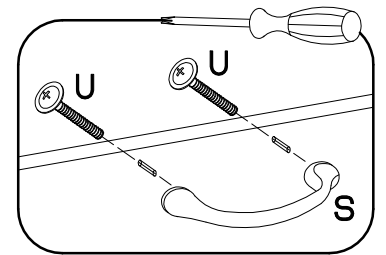
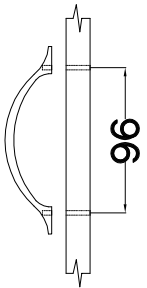
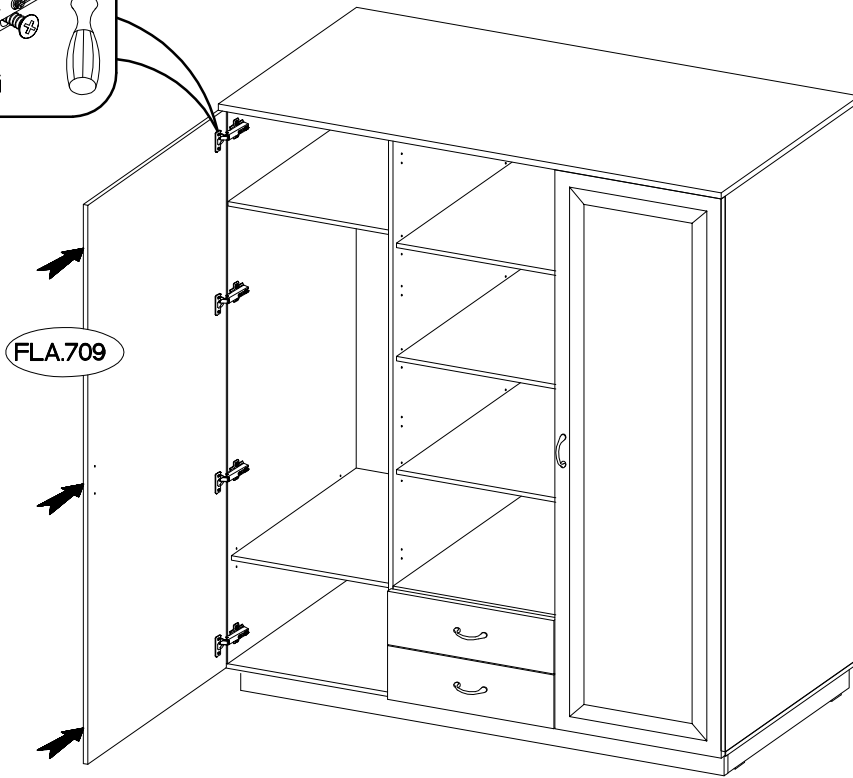
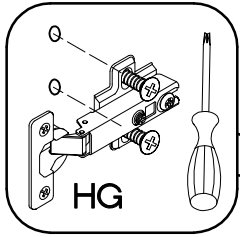
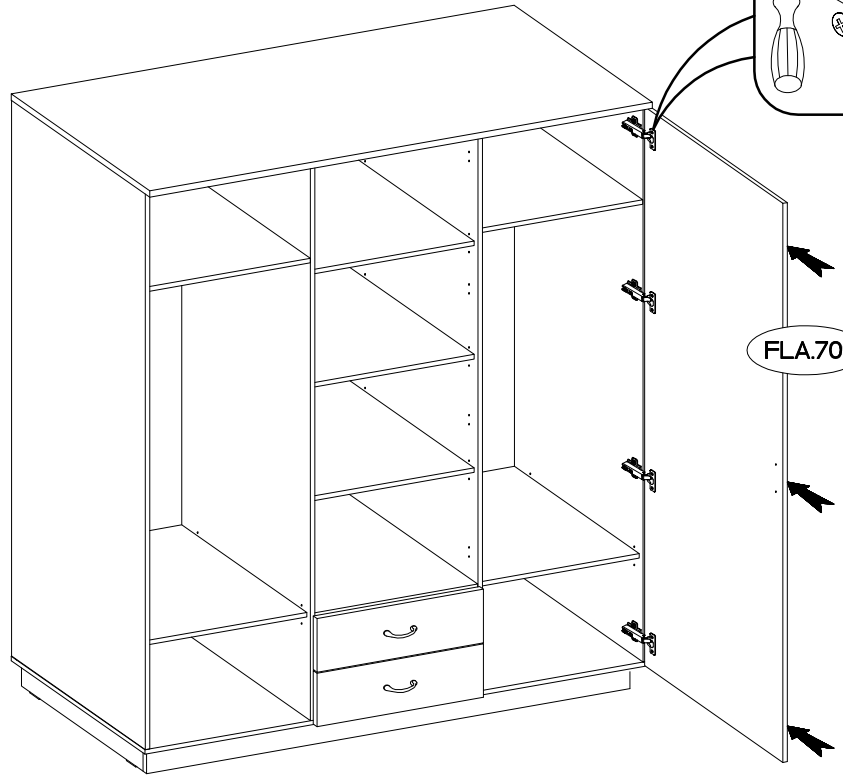
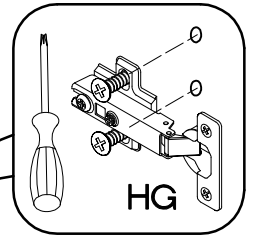
U

8



S

4



M4x22mm



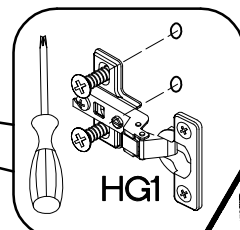
U

2

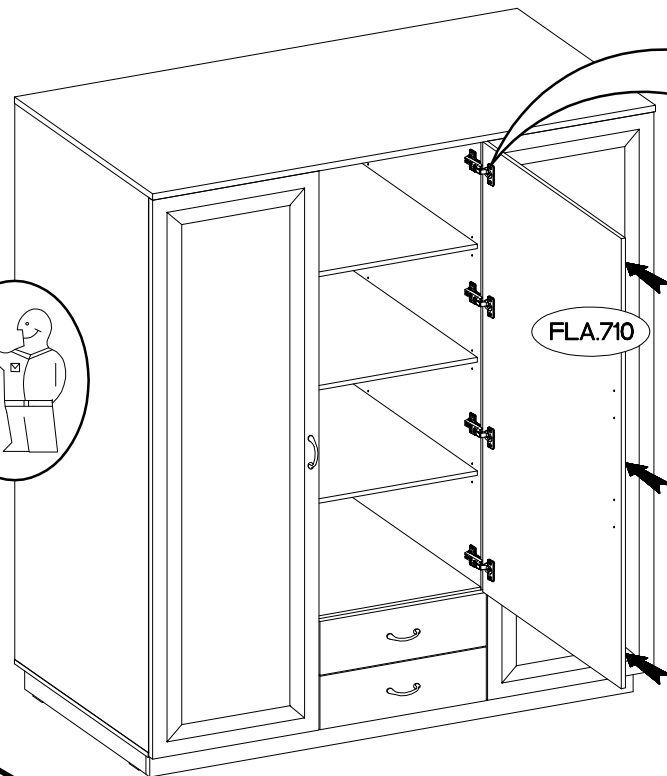
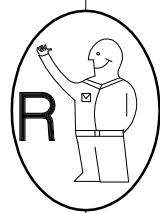


S

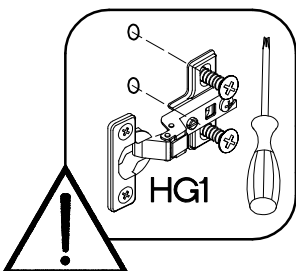
1



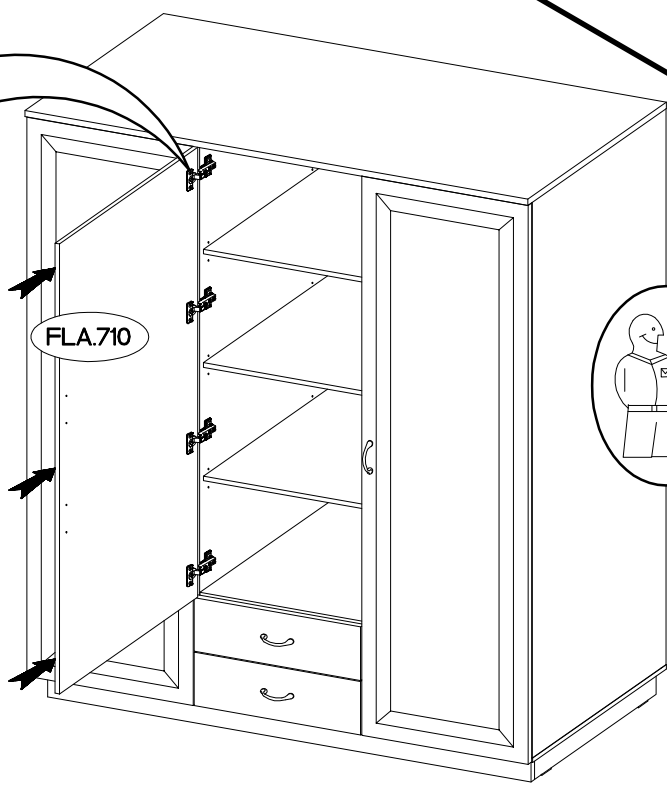
HG1



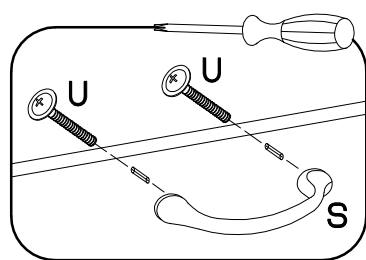
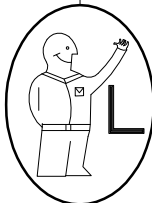
FLA.710



HG1

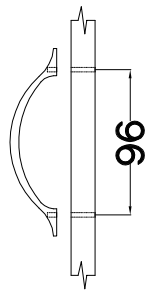


FLA.710

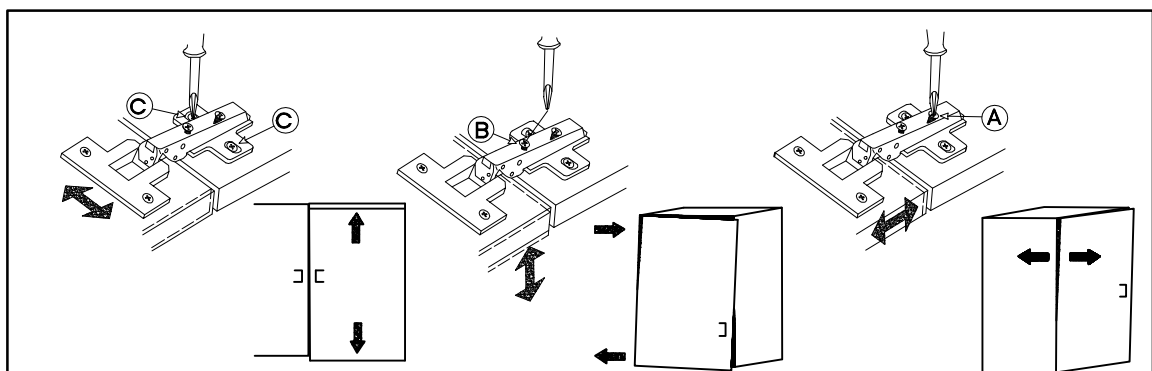


U

S



96



C

B

A

