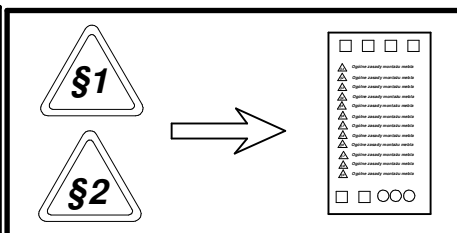
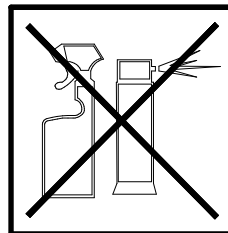
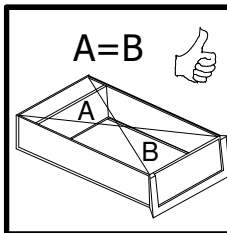
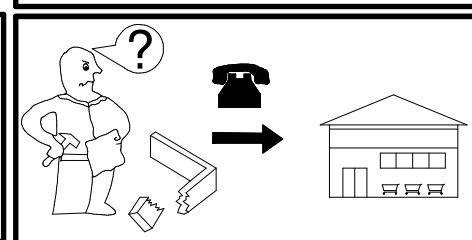
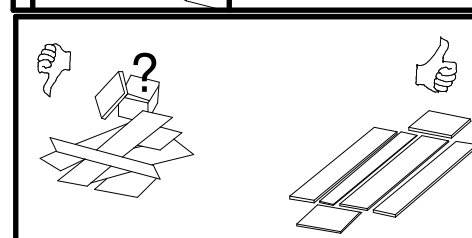
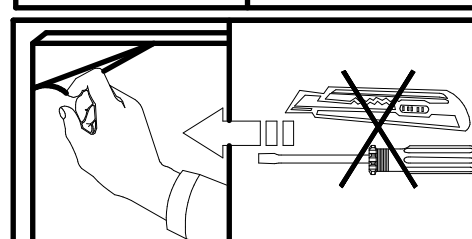
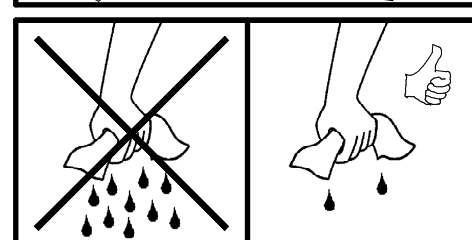
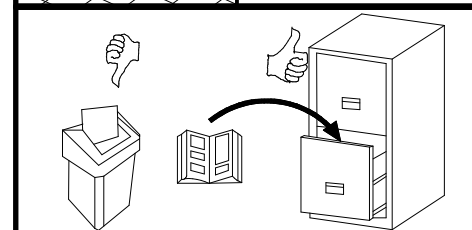
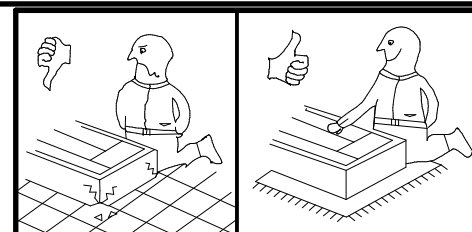
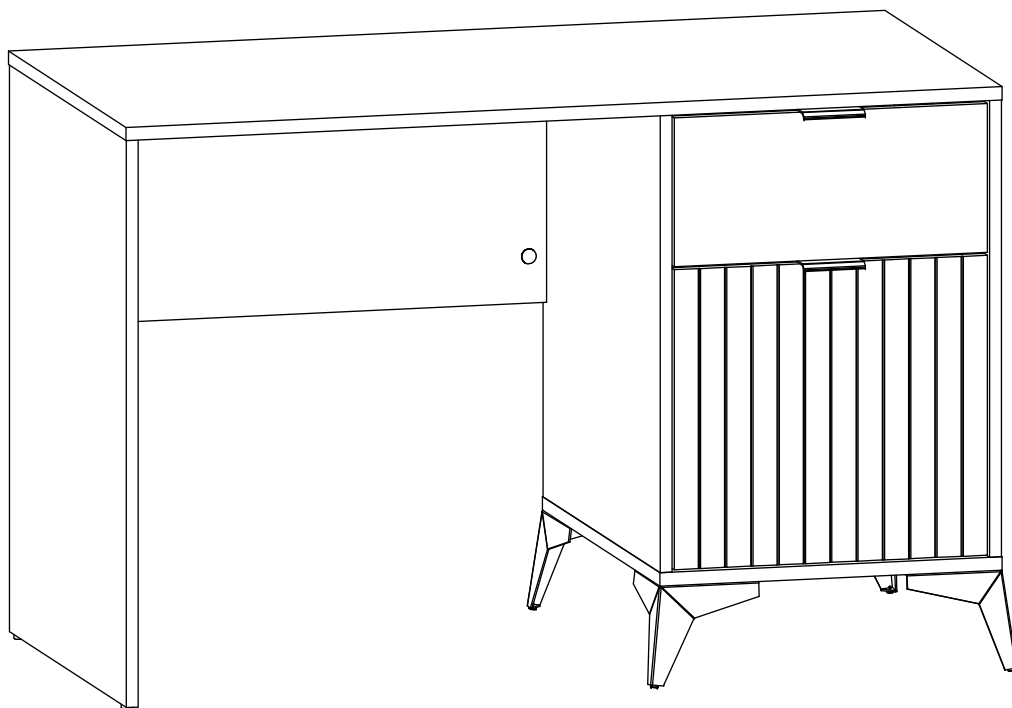
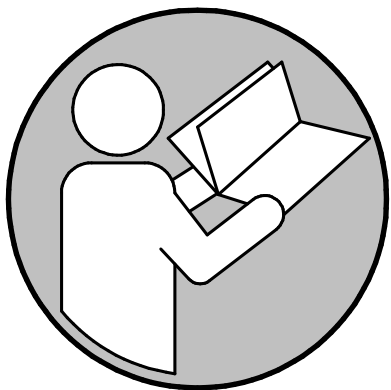
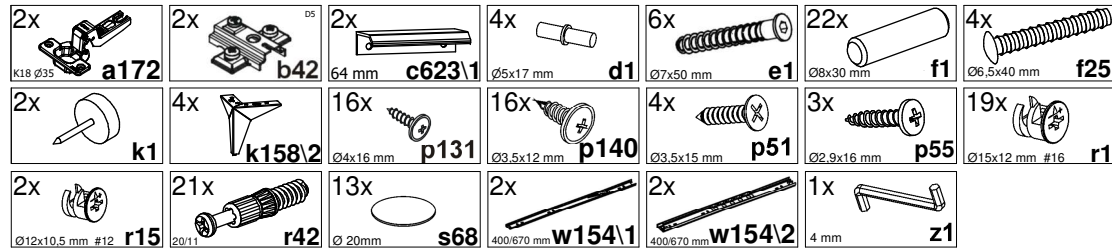
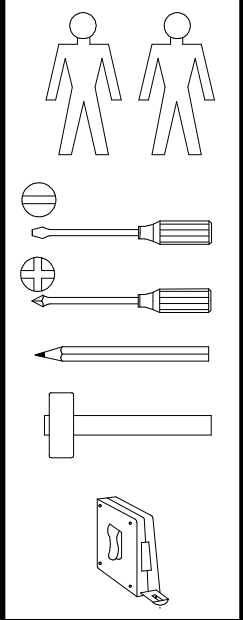
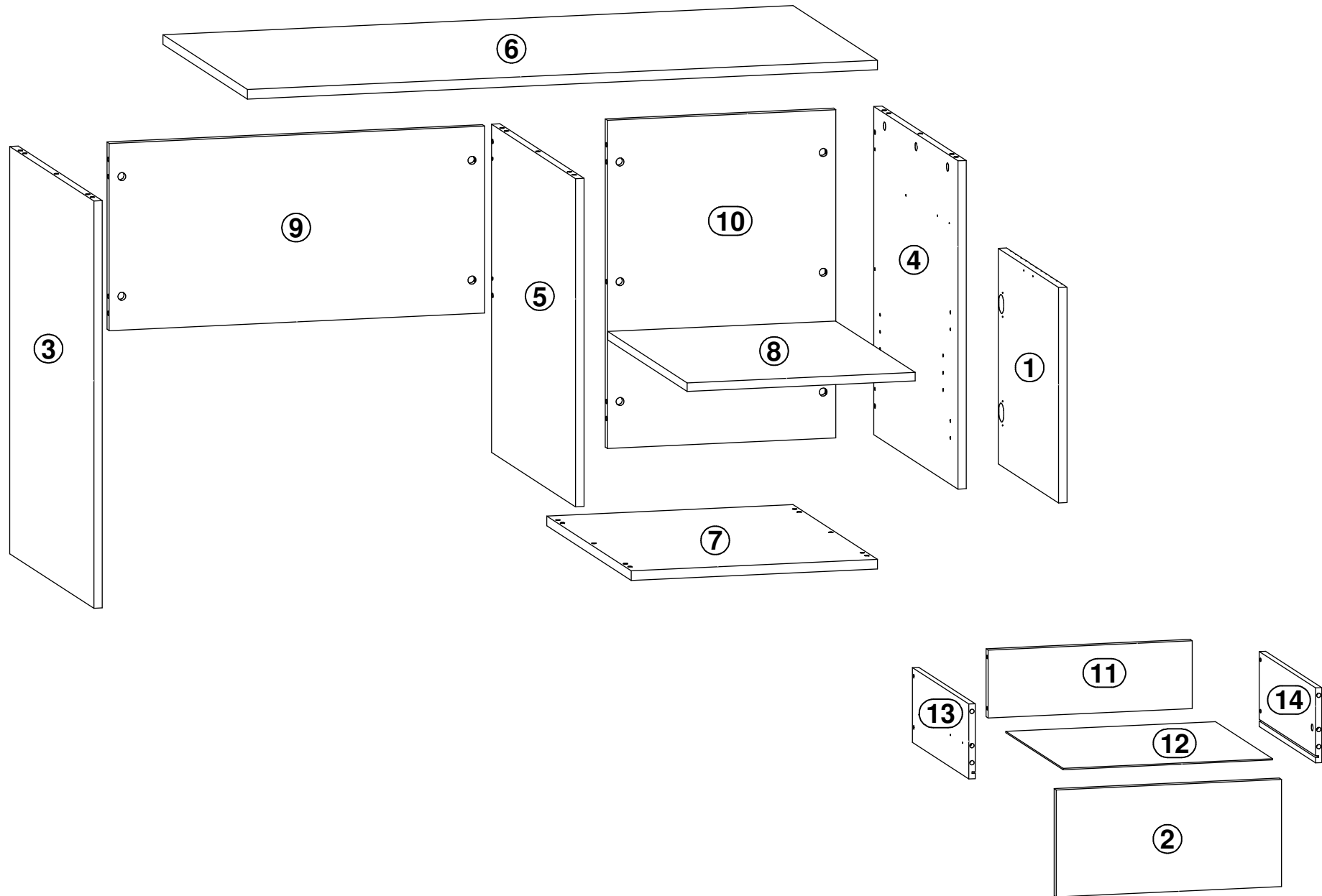


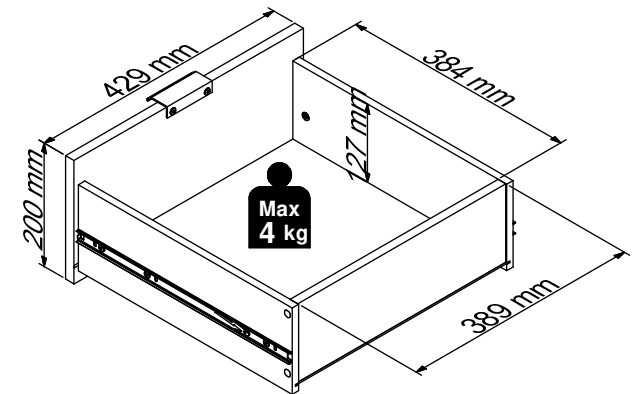
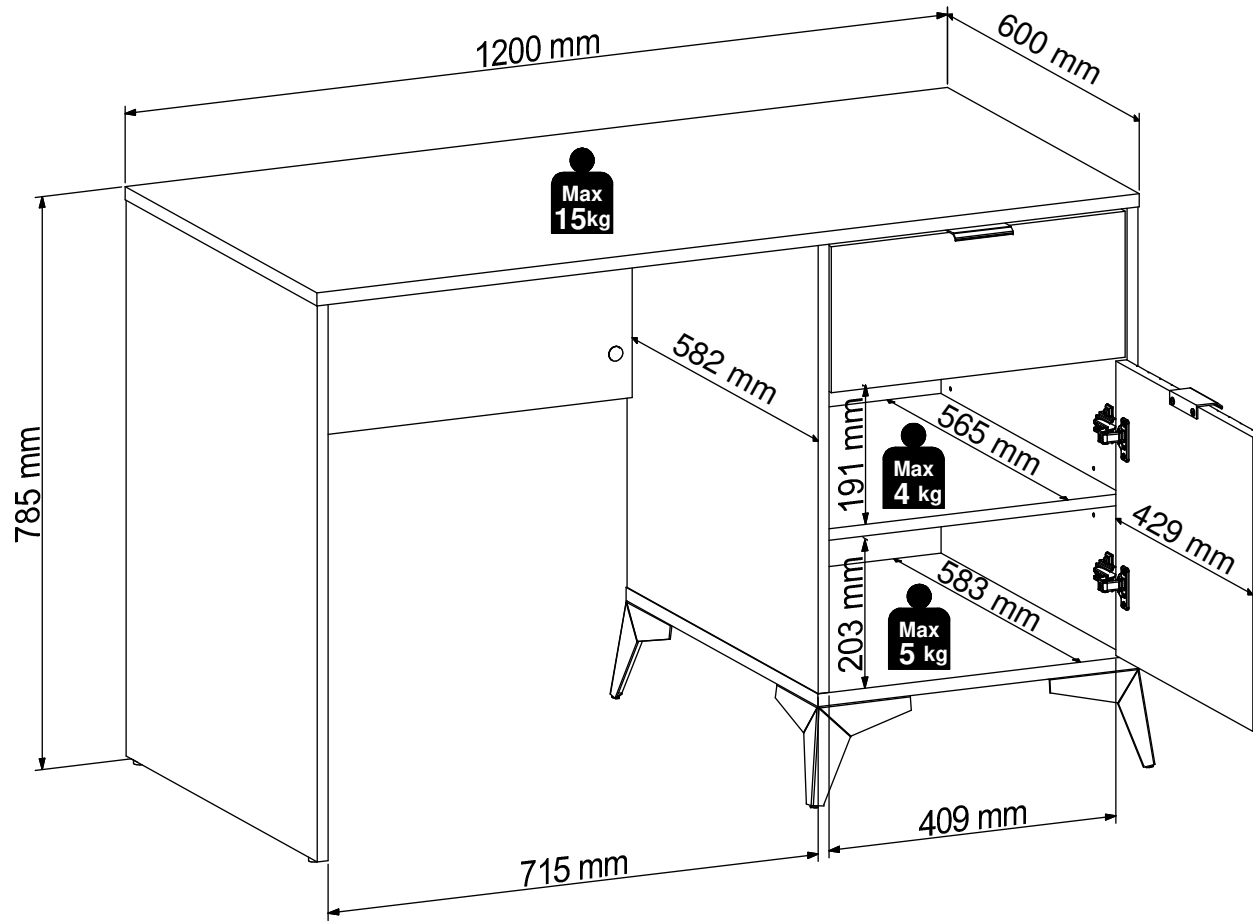
A**S632-BIU1D1S****LAMEA**



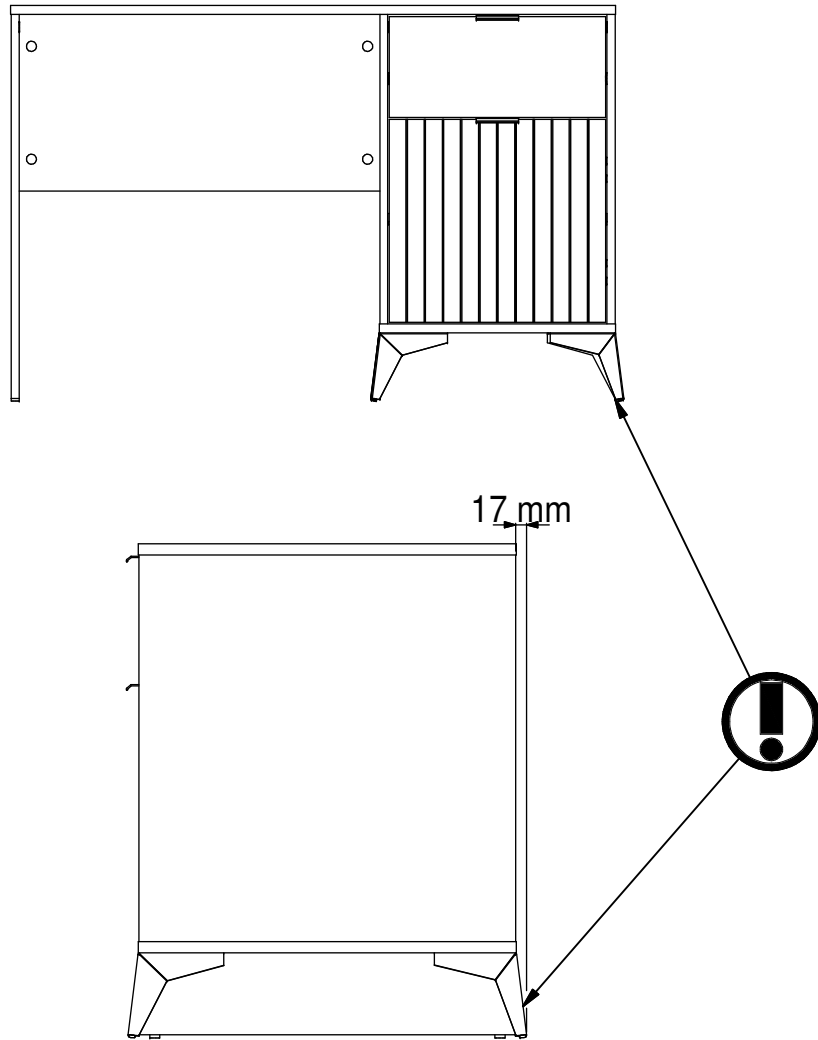
A	B1	B2	C1	C2	C3	D
1	S632-0001	-.1	403	429	16	1/3
2	S632-0002	-.1	429	200	16	1/3
3	S632-1001	-.1	762	598	16	2/3
4	S632-1002	-.1	614	598	16	2/3
5	S632-1003	-.1	614	598	16	2/3
6	S632-2001	-.1	1200	600	18	2/3
7	S632-2002	-.1	469	600	18	2/3
8	S632-3001	-.1	434	565	16	1/3
9	S632-4001	-.2	715	350	16	1/3
10	S632-4002	-.2	614	435	16	1/3
11	S632-5001	-.1	389	127	15	1/3
12	S632-9001	-.1	399	407	2,5	1/3
13	WSK3-5007	-.4	400	140	12	1/3
14	WSK3-5008	-.4	400	140	12	1/3



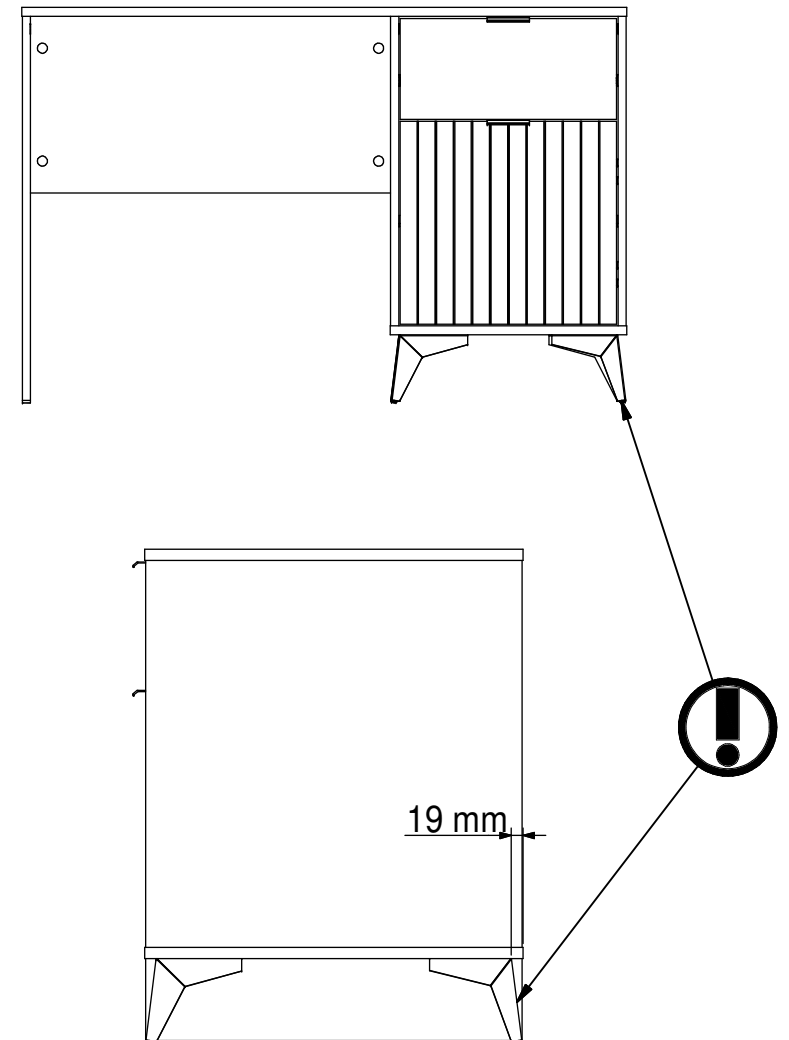




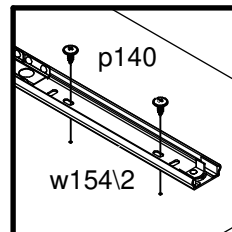
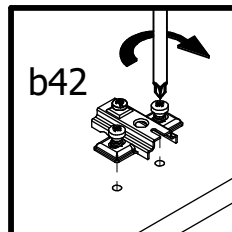
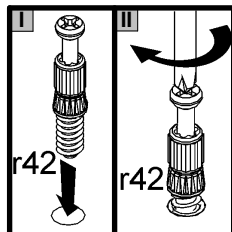
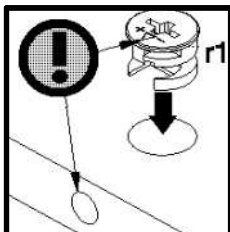
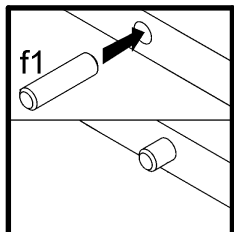
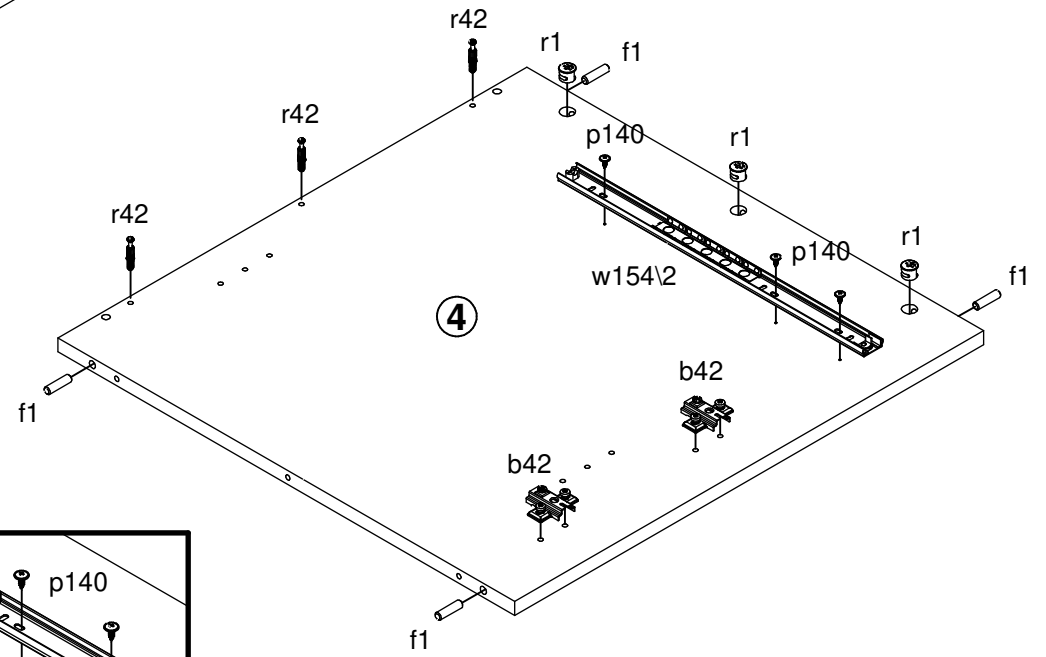
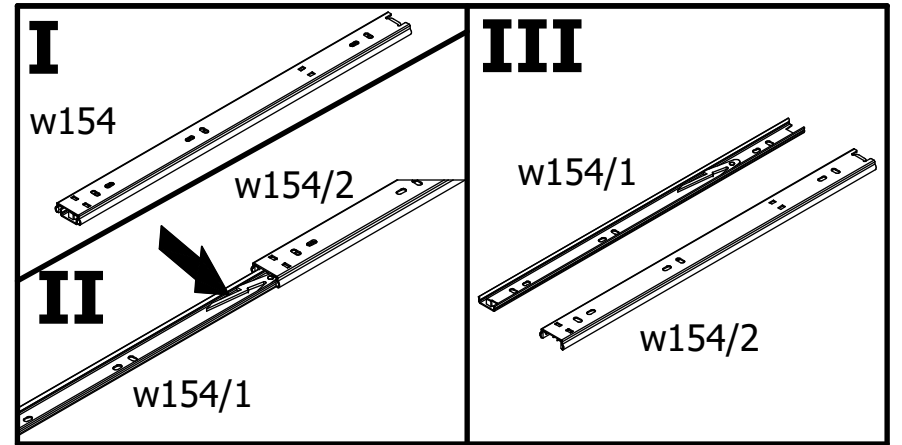
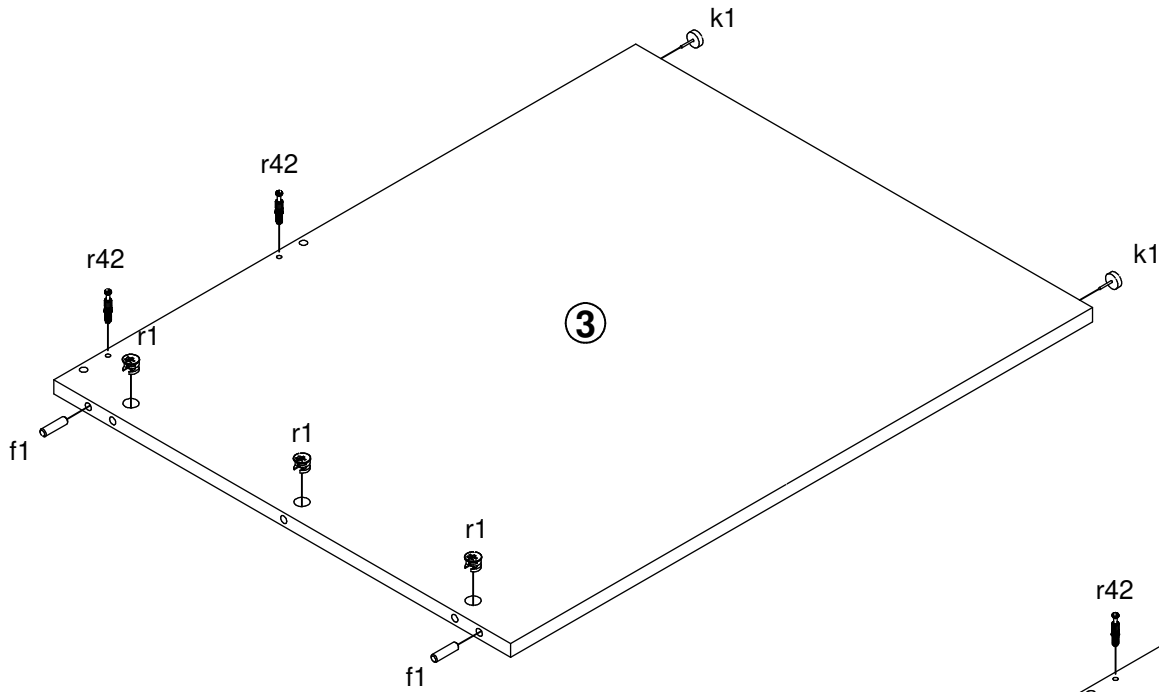
A



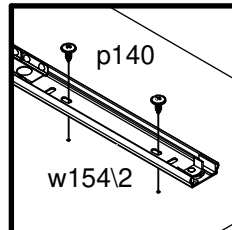
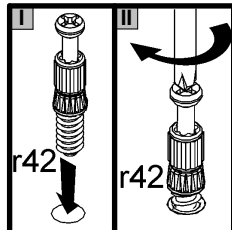
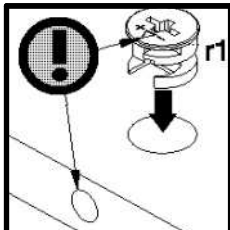
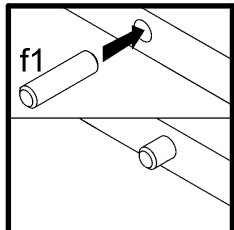
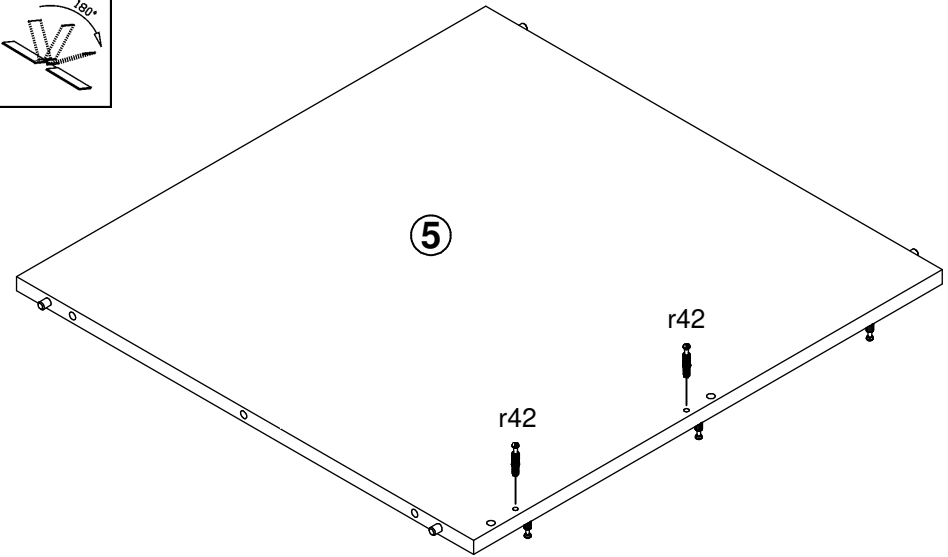
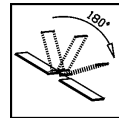
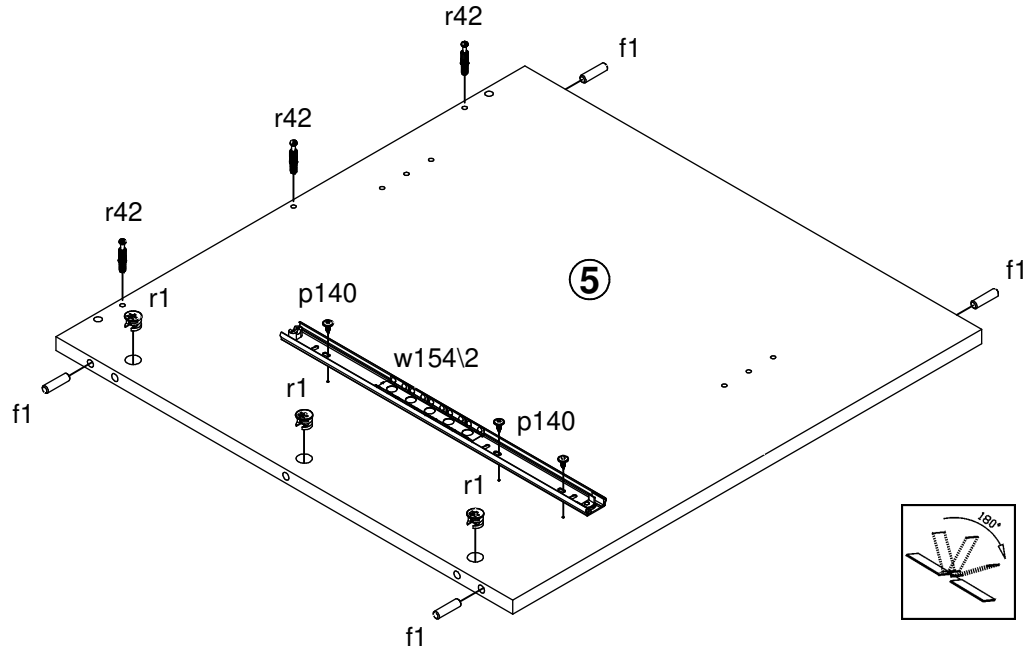
B

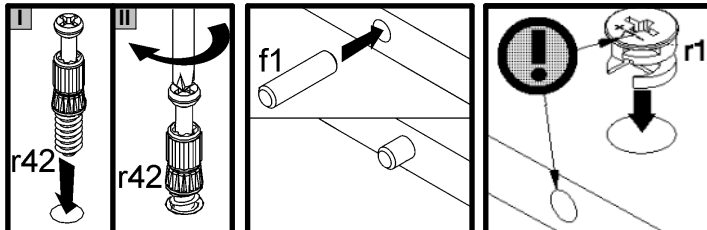
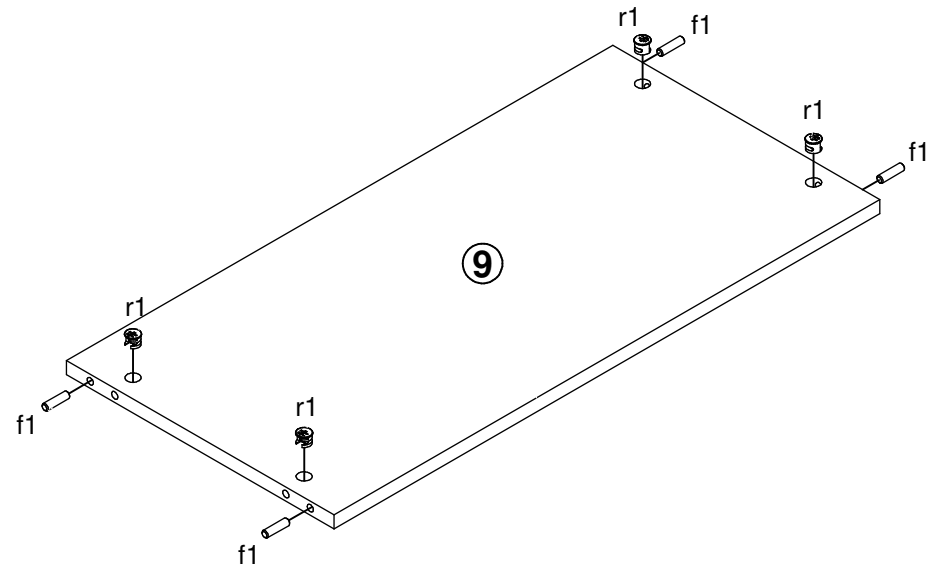
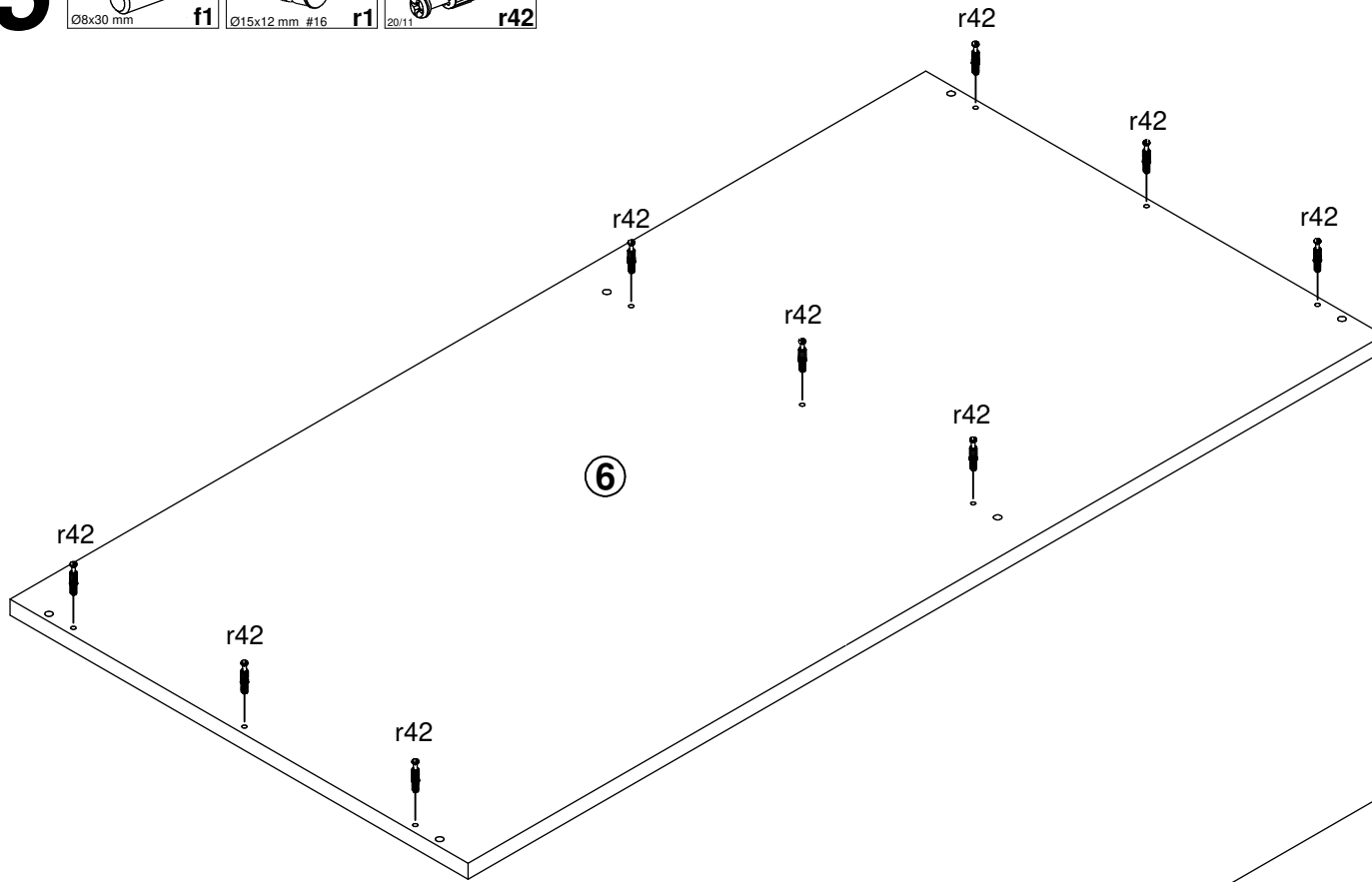
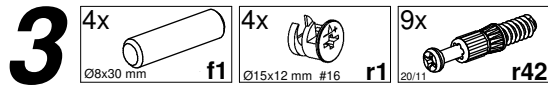


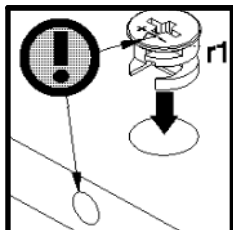
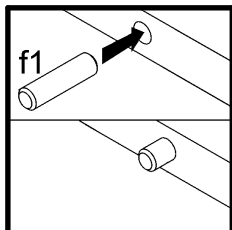
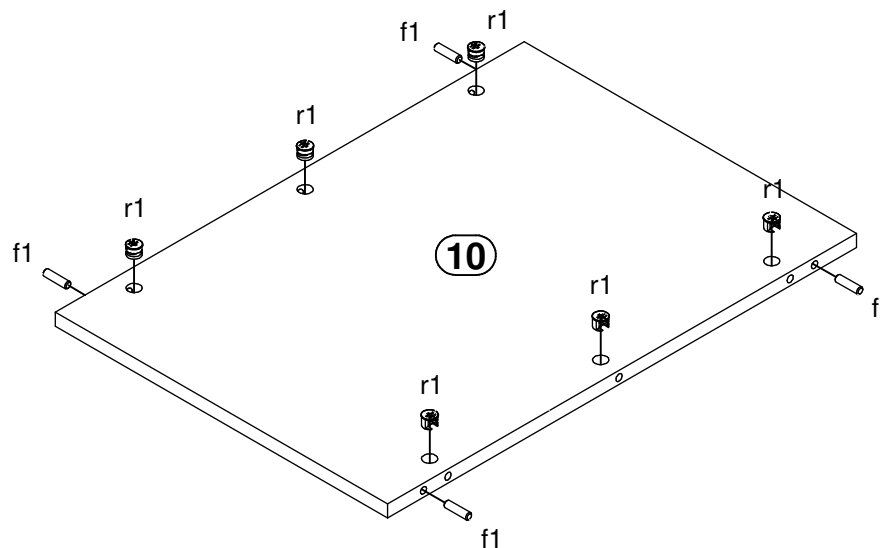
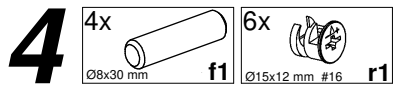
- 1 2x ^{DS} b42
- 6x Ø8x30 mm f1
- 2x k1
- 3x Ø3.5x12 mm p140
- 6x Ø15x12 mm #16 r1
- 5x 20/11 r42
- 1x 400/670 mm w154/2



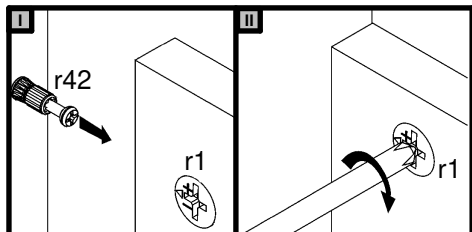
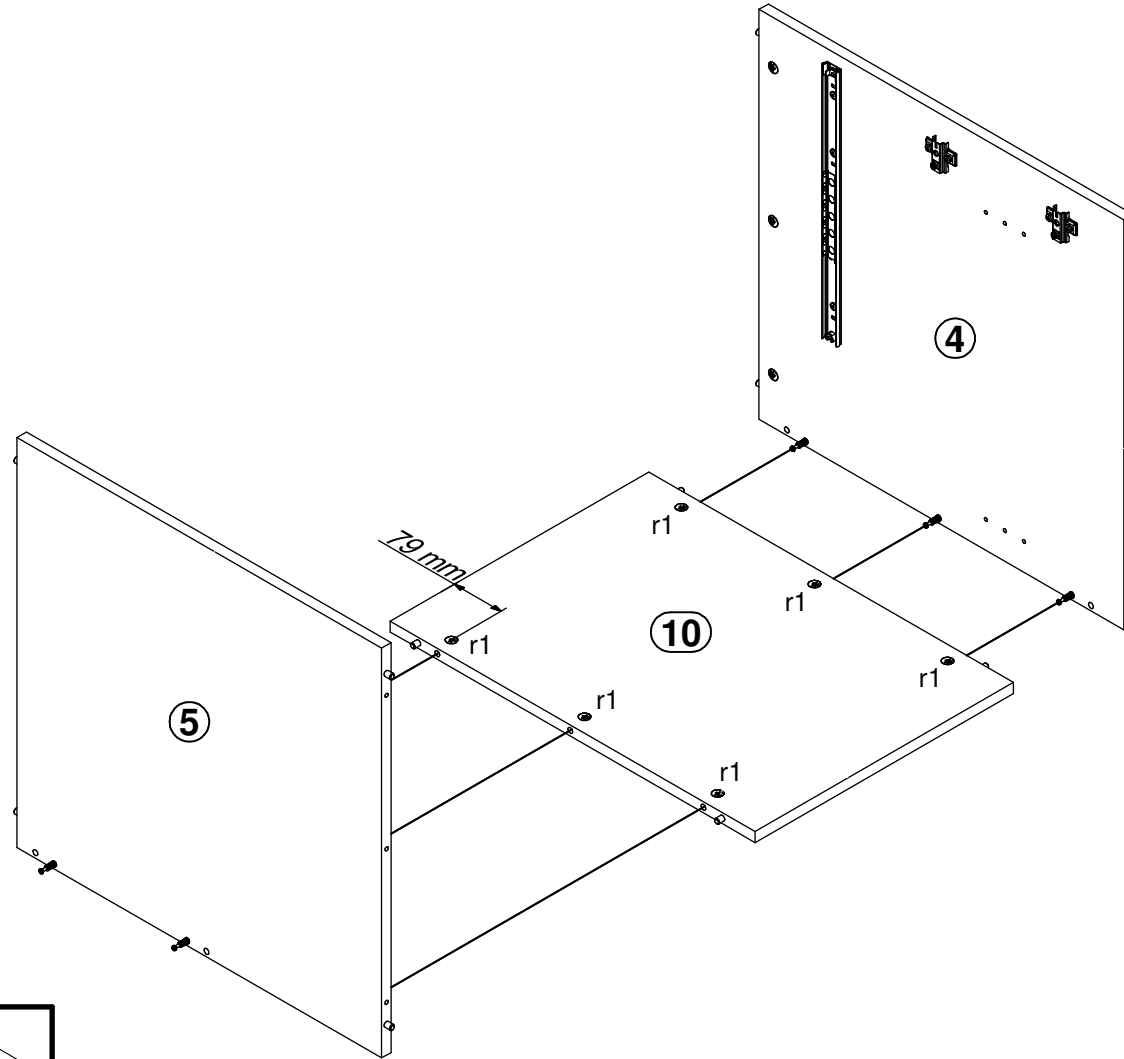
- 2 4x Ø8x30 mm f1
- 3x Ø3,5x12 mm p140
- 3x Ø15x12 mm #16 r1
- 5x 20/11 r42
- 1x 400/670 mm w154\2

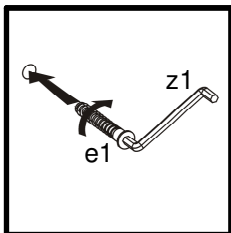
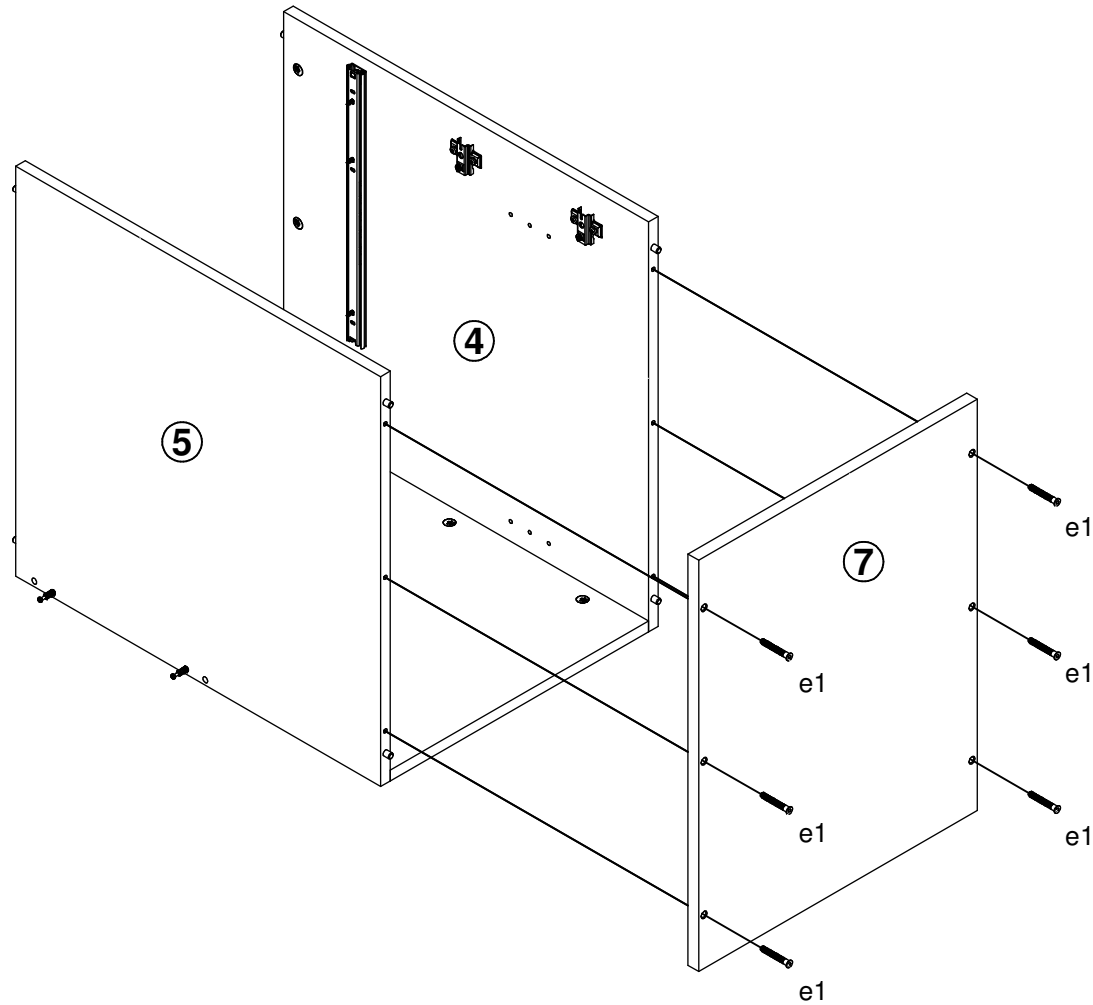
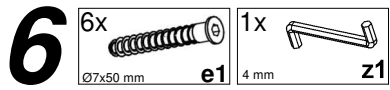


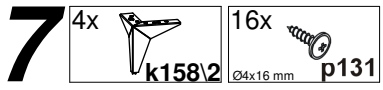




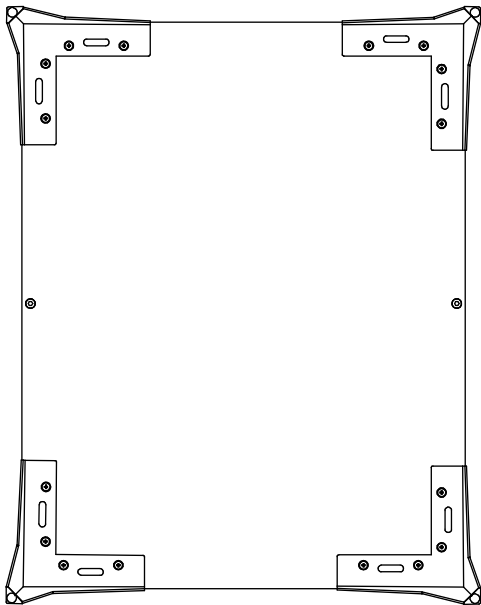
5



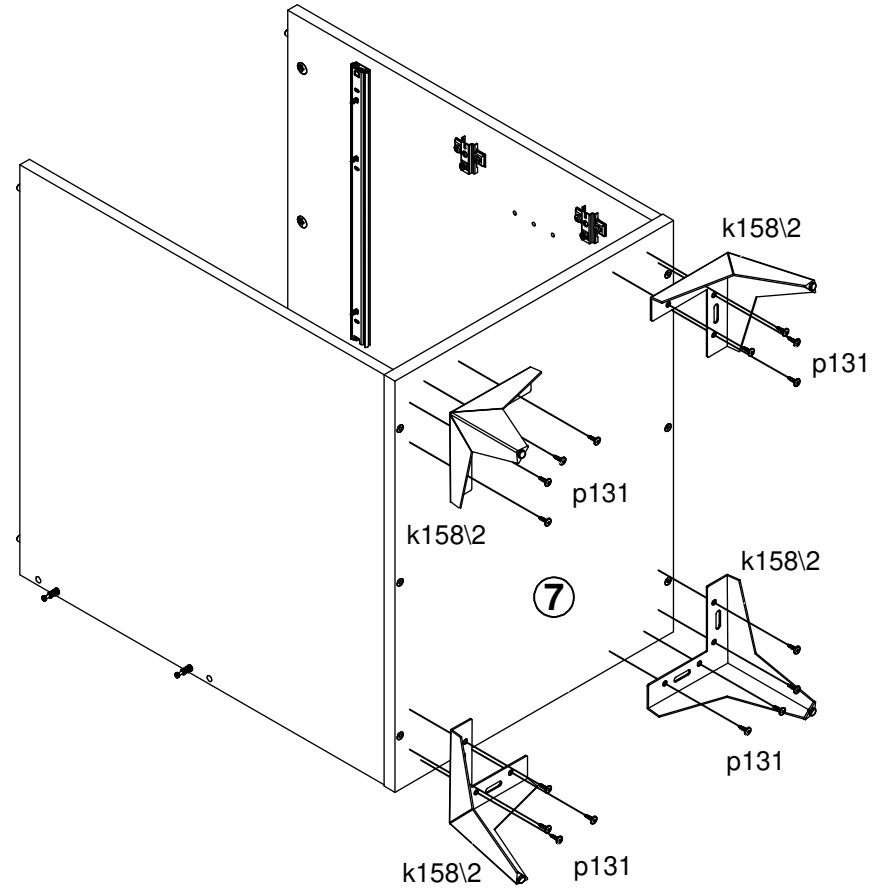
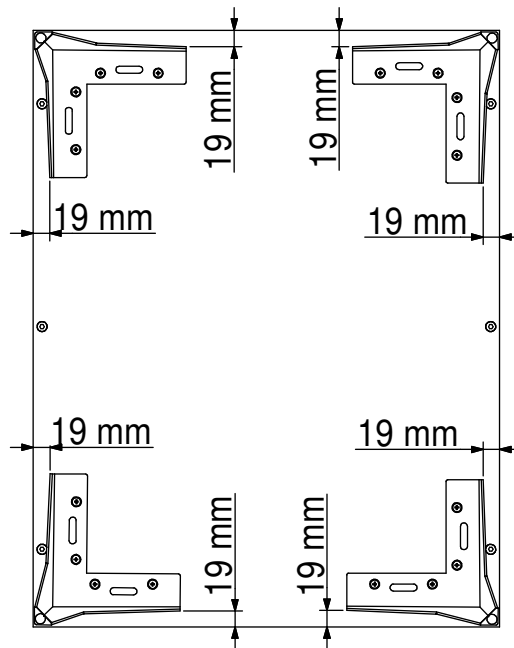




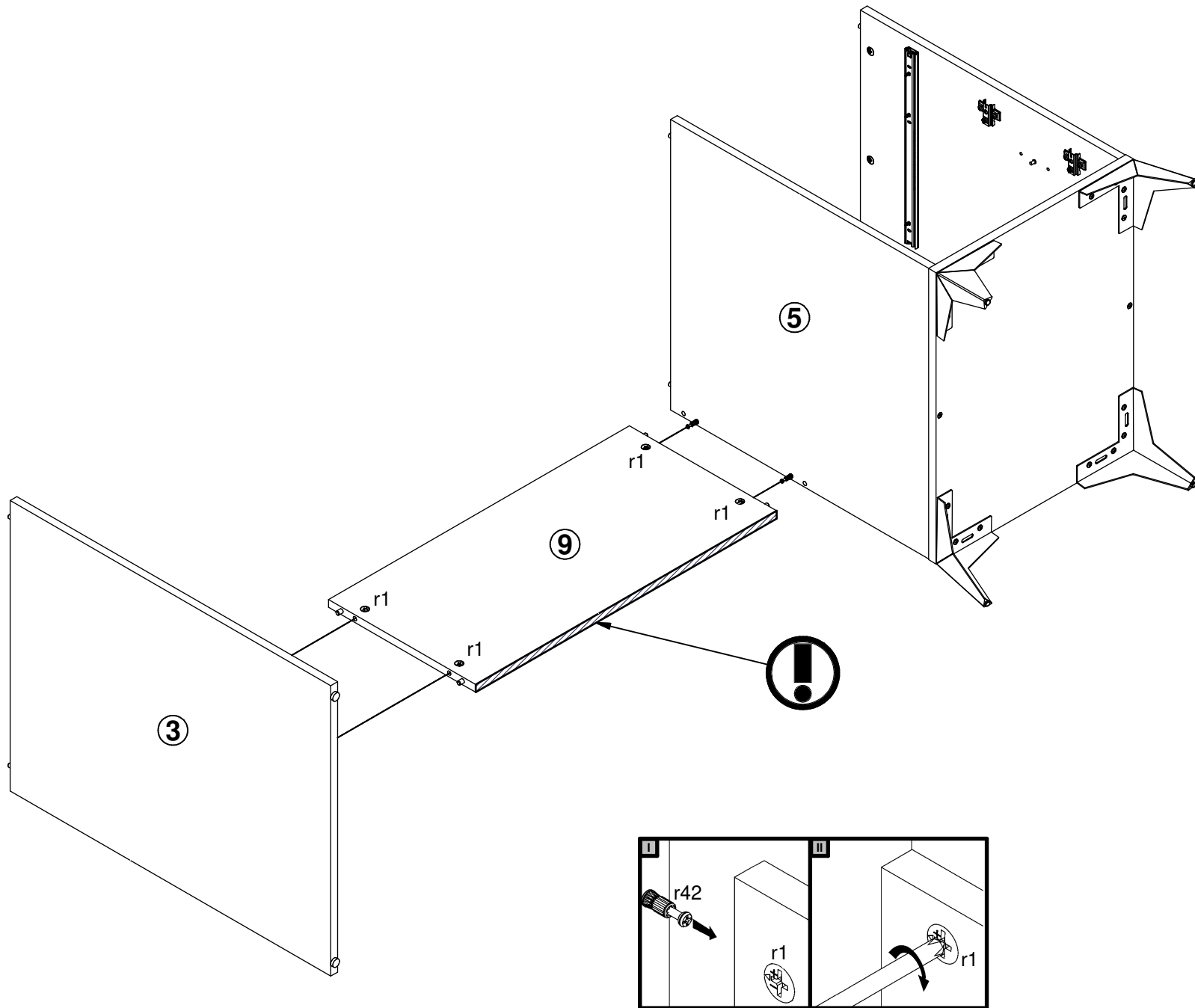
A



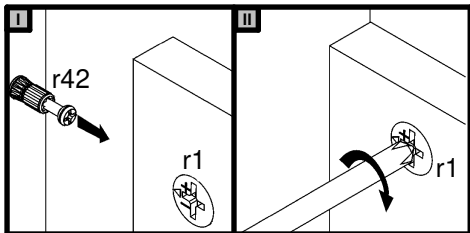
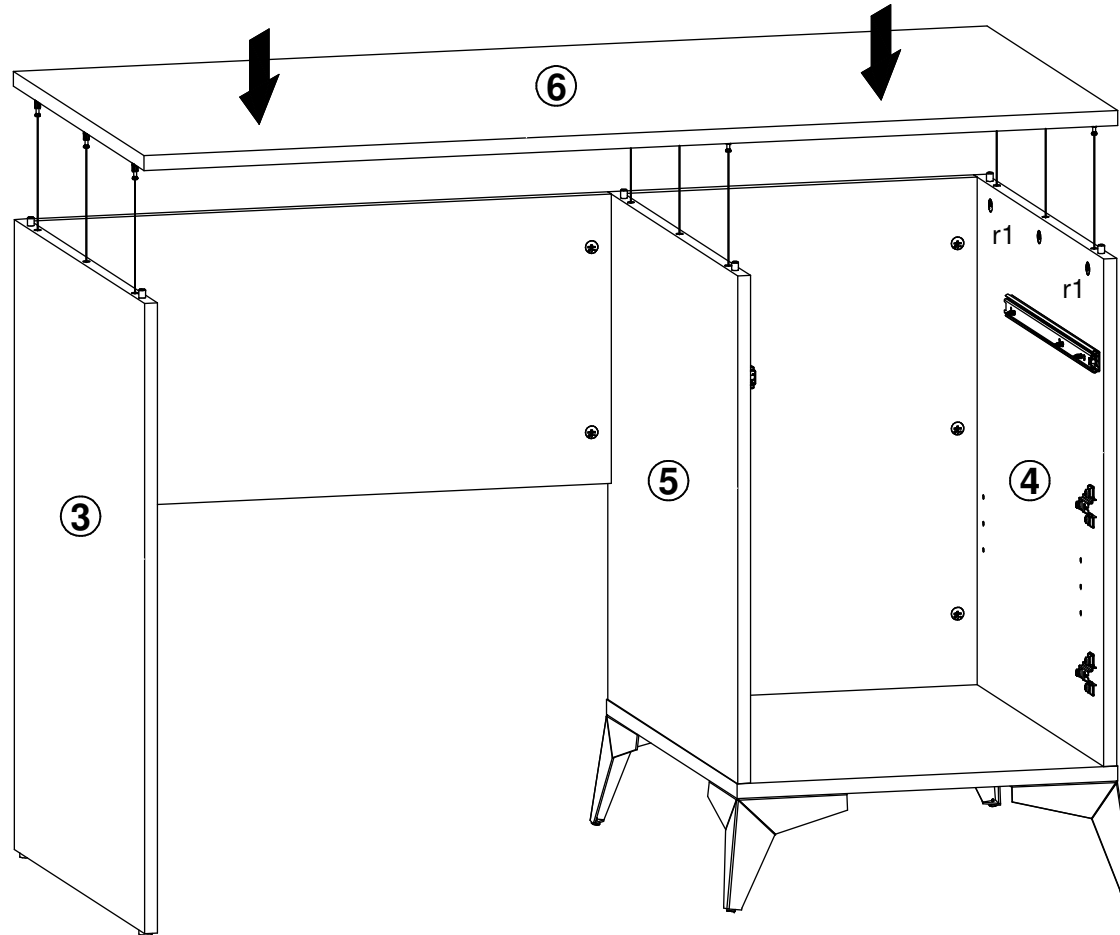
B



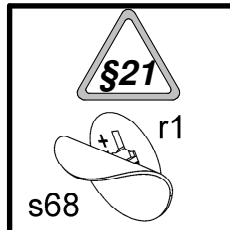
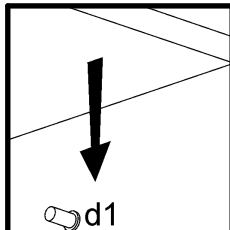
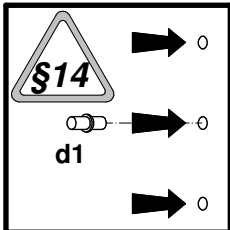
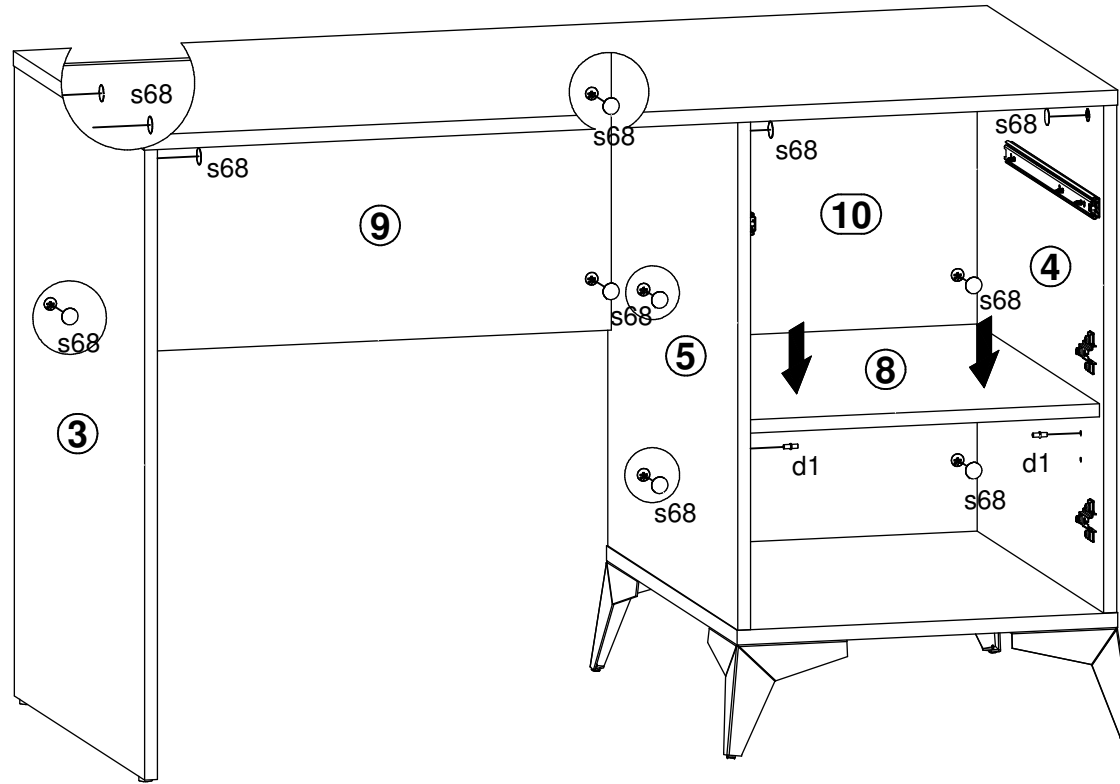
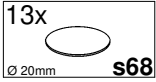
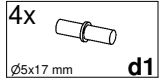
8



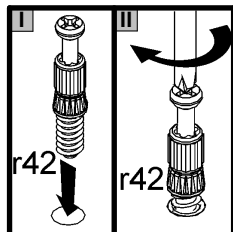
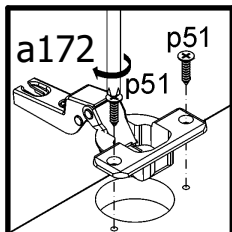
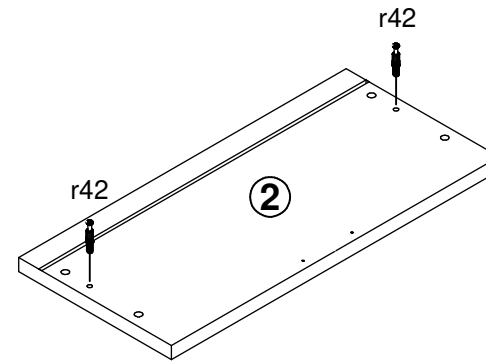
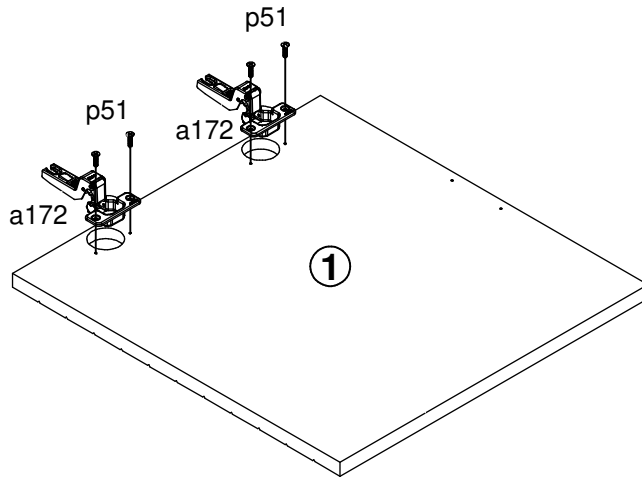
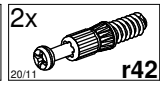
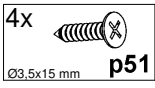
9



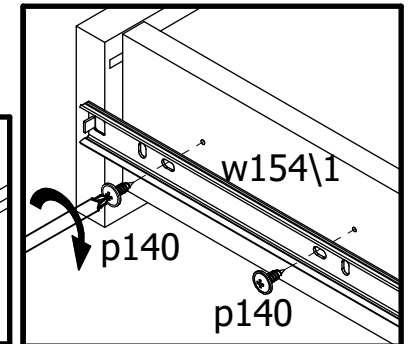
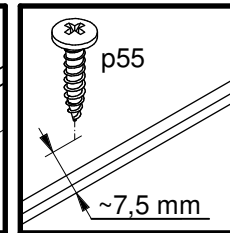
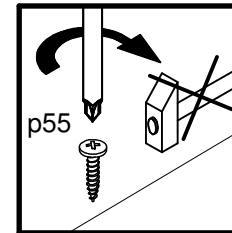
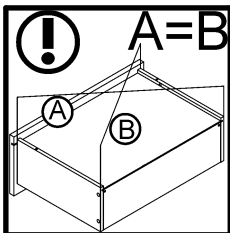
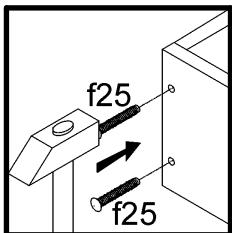
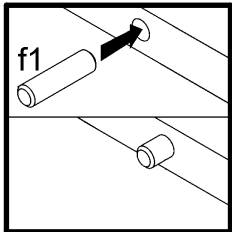
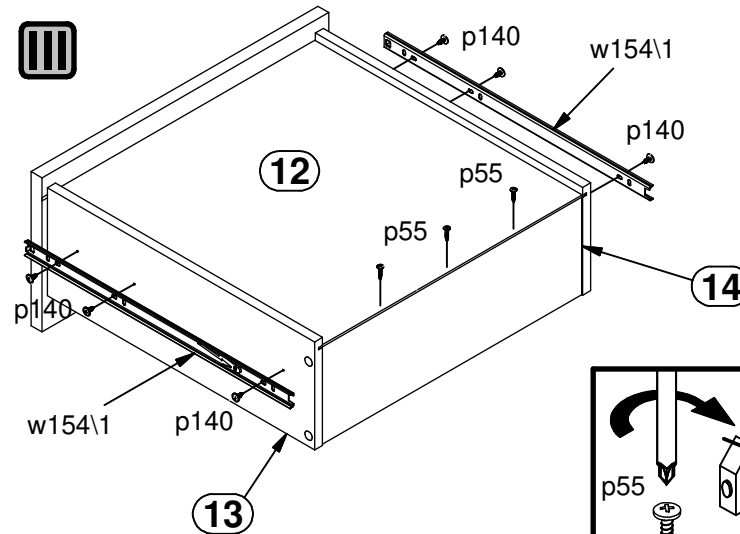
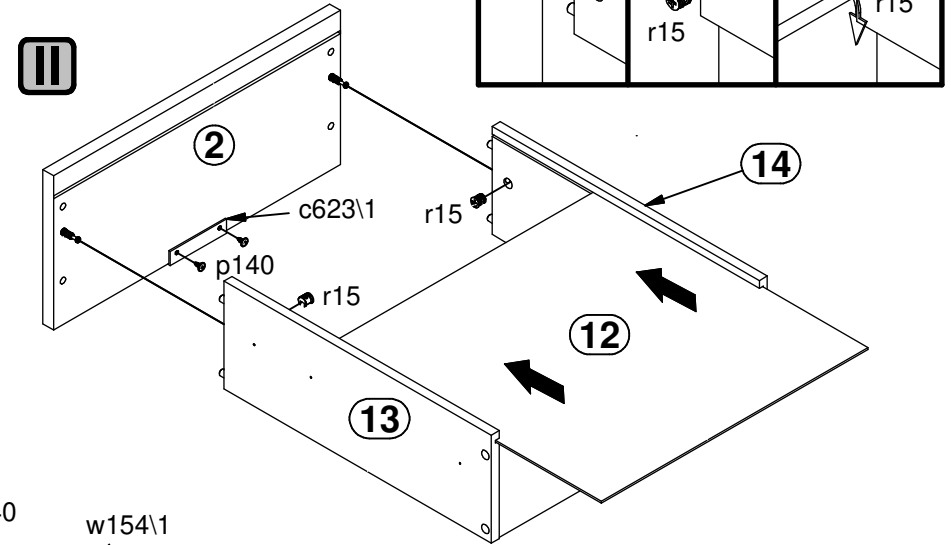
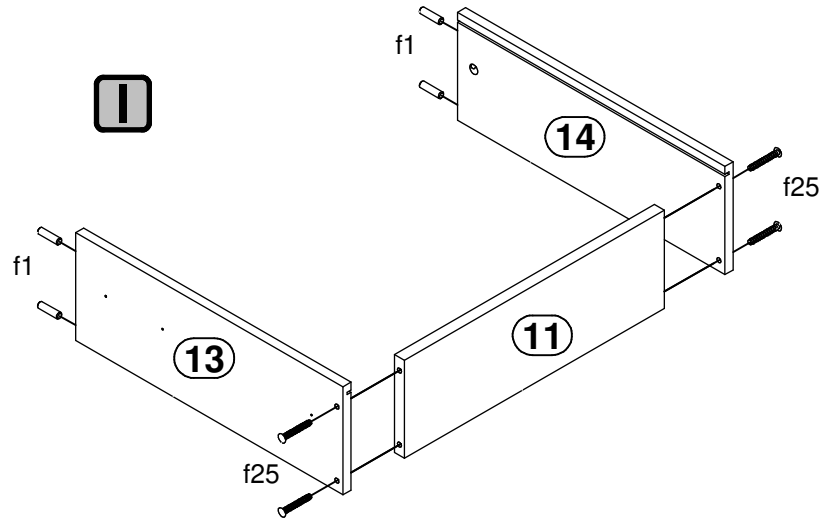
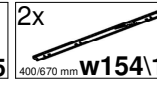
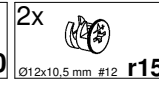
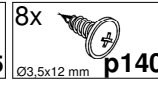
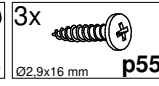
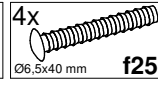
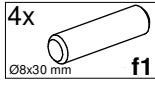
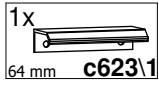
10



11



12



13

