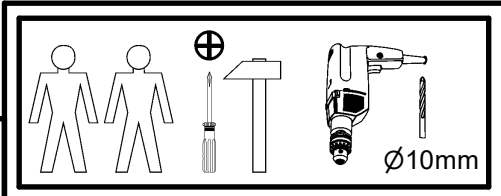
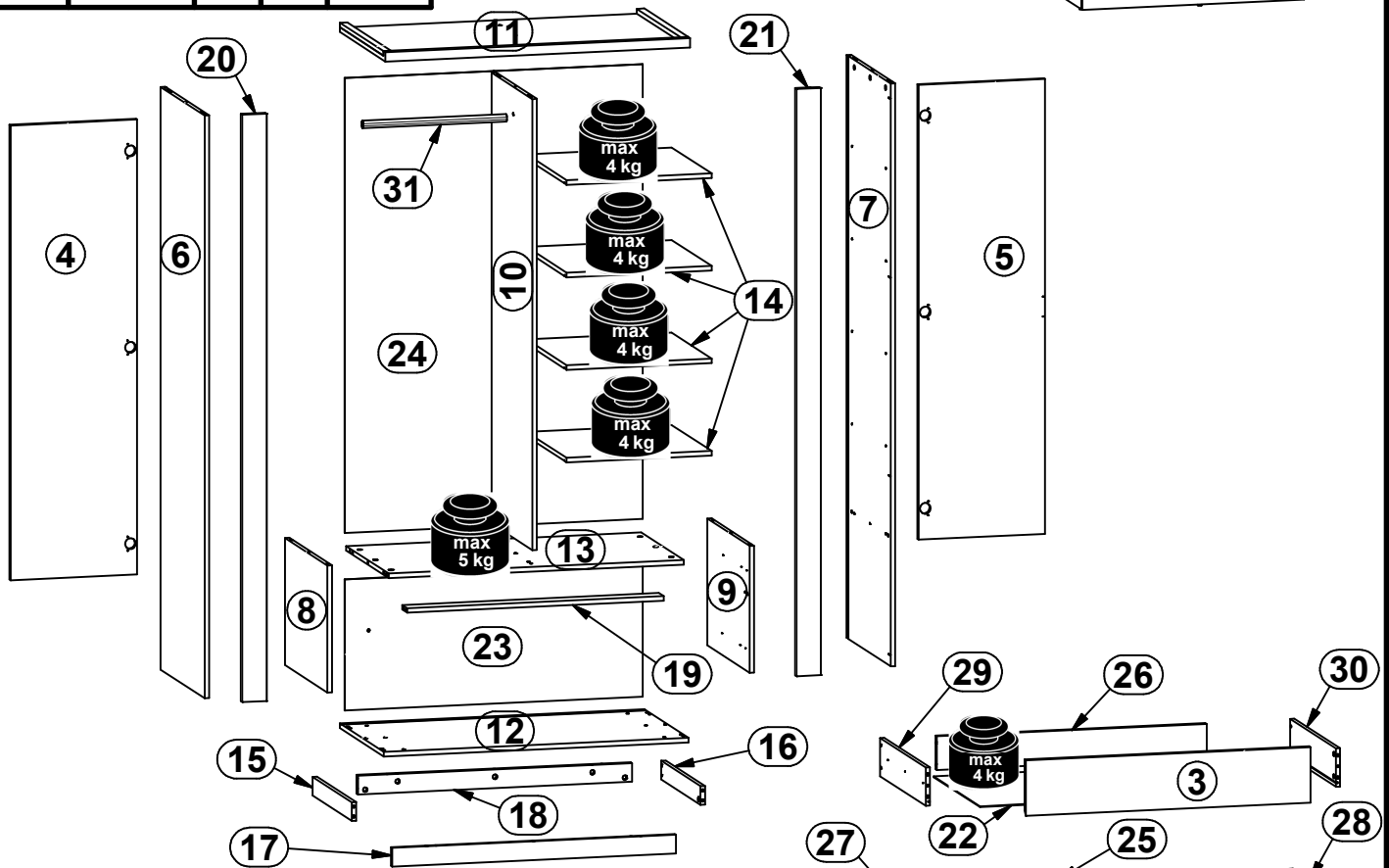
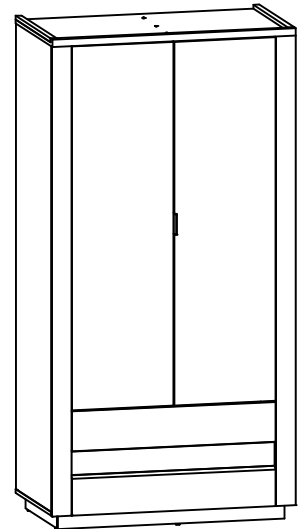
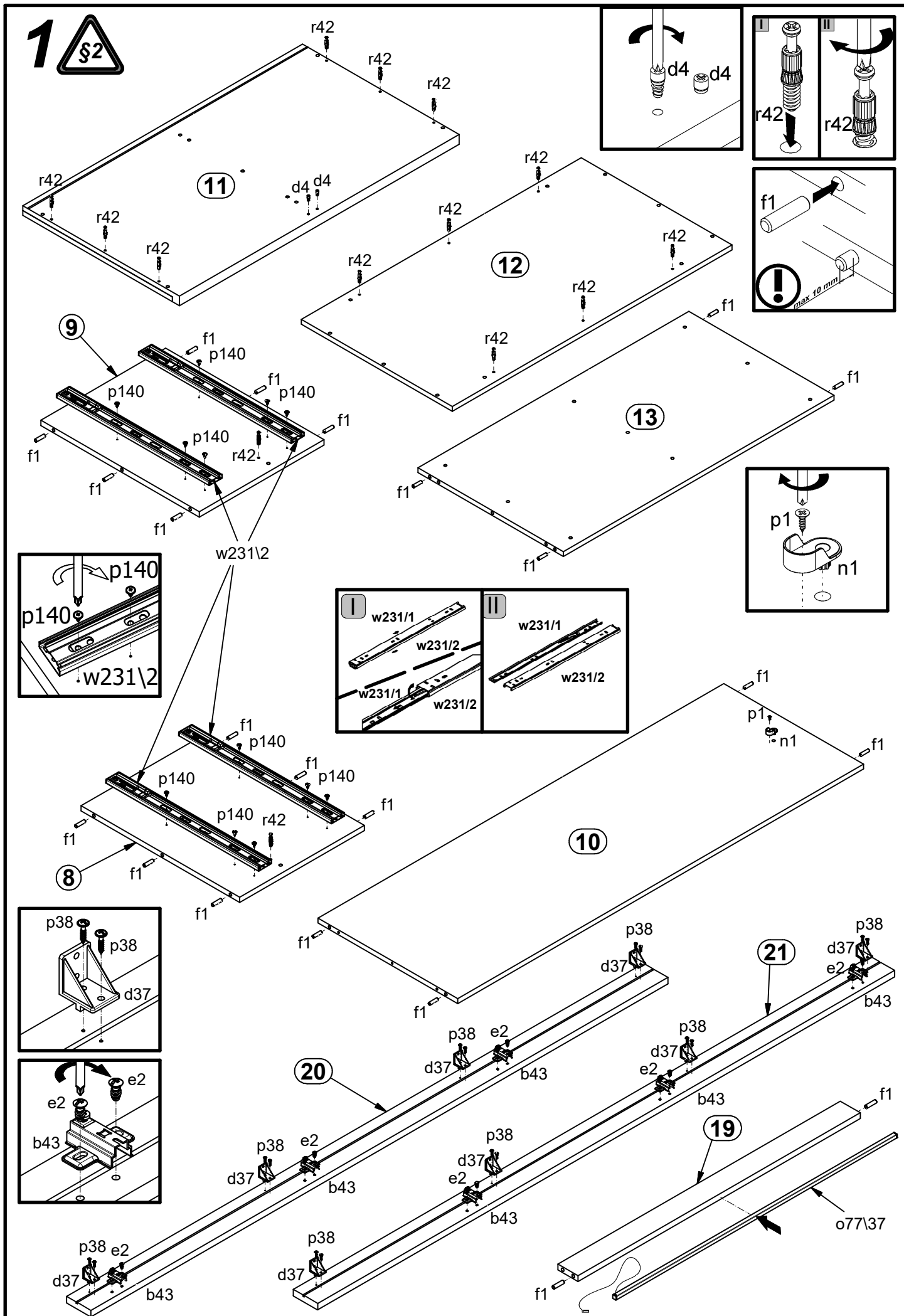


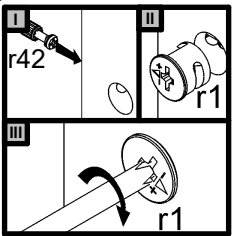
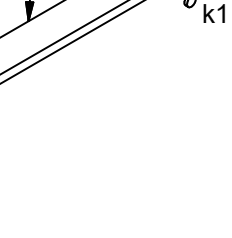
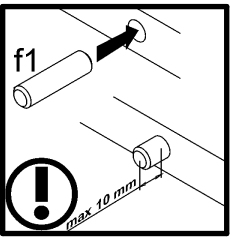
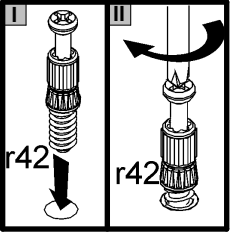
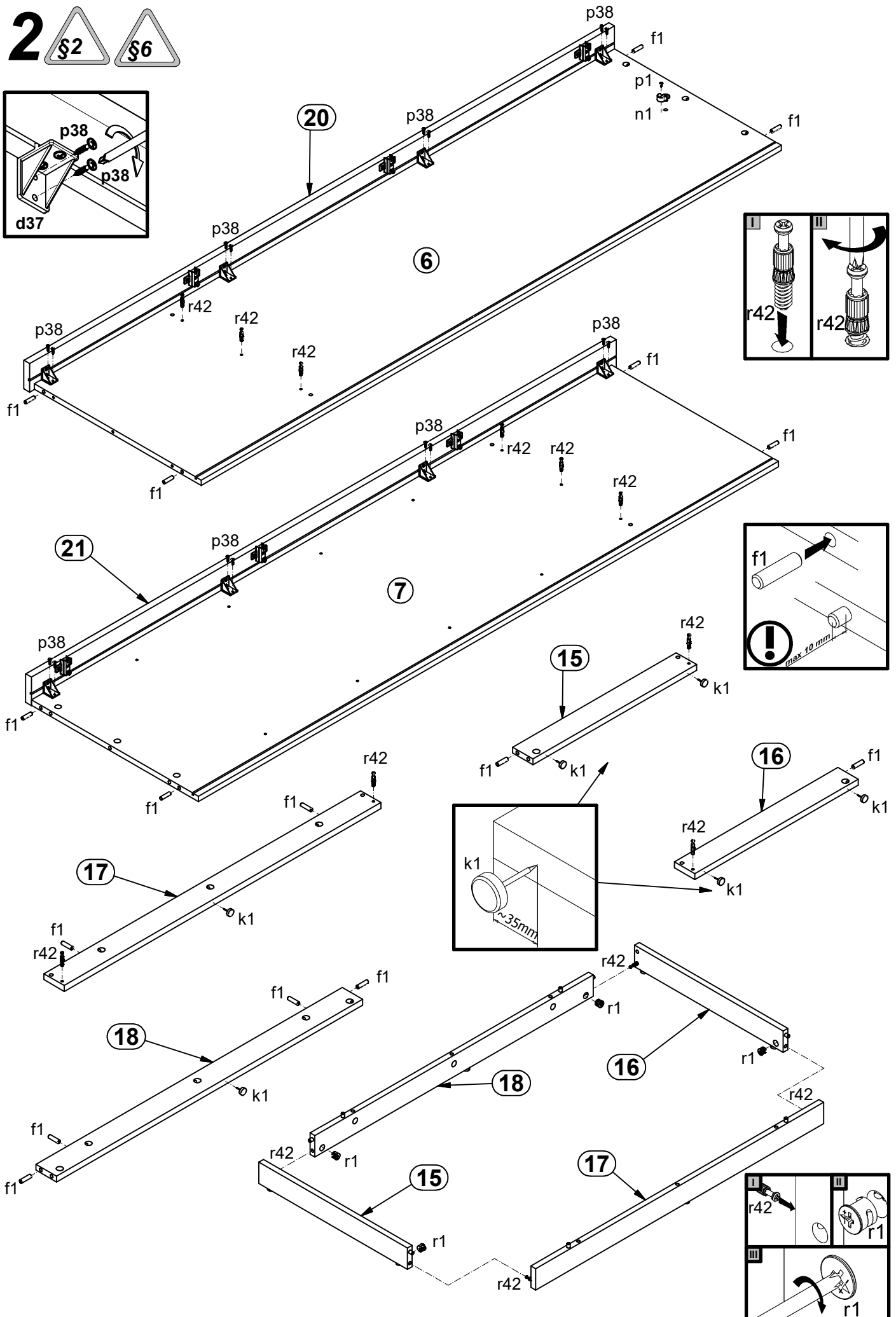
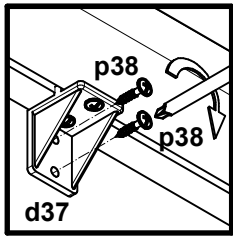
| A | B | C | D | A | B | C | D | | |
|----|-----------|------|-----|-----|----|-----------|------|-----|-----|
| 1 | S467-0020 | 836 | 235 | 3/4 | 17 | S467-4028 | 932 | 60 | 3/4 |
| 2 | S467-0021 | 836 | 160 | 3/4 | 18 | S467-4029 | 901 | 60 | 3/4 |
| 3 | S467-0022 | 836 | 160 | 3/4 | 19 | S467-4030 | 842 | 60 | 3/4 |
| 4 | S467-0023 | 1465 | 416 | 4/4 | 20 | S467-5016 | 1892 | 80 | 1/4 |
| 5 | S467-0024 | 1465 | 416 | 4/4 | 21 | S467-5017 | 1892 | 80 | 1/4 |
| 6 | S467-1017 | 1877 | 540 | 1/4 | 22 | S467-9008 | 803 | 507 | 3/4 |
| 7 | S467-1018 | 1877 | 540 | 1/4 | 23 | S467-9009 | 979 | 422 | 3/4 |
| 8 | S467-1019 | 409 | 520 | 2/4 | 24 | S467-9303 | 1465 | 979 | 4/4 |
| 9 | S467-1020 | 409 | 520 | 2/4 | 25 | ZK3-5105 | 792 | 167 | 3/4 |
| 10 | S467-1021 | 1453 | 500 | 4/4 | 26 | ZK3-5106 | 792 | 97 | 3/4 |
| 11 | S467-2007 | 1001 | 560 | 3/4 | 27 | ZK4-509 | 500 | 180 | 2/4 |
| 12 | S467-2008 | 1001 | 540 | 3/4 | 28 | ZK4-510 | 500 | 180 | 2/4 |
| 13 | S467-3003 | 969 | 520 | 3/4 | 29 | ZK4-529 | 500 | 110 | 2/4 |
| 14 | S467-3004 | 476 | 490 | 2/4 | 30 | ZK4-530 | 500 | 110 | 2/4 |
| 15 | S467-4026 | 481 | 60 | 3/4 | 31 | dr-472 | 472 | 22 | 2/4 |
| 16 | S467-4027 | 481 | 60 | 3/4 | | | | | |



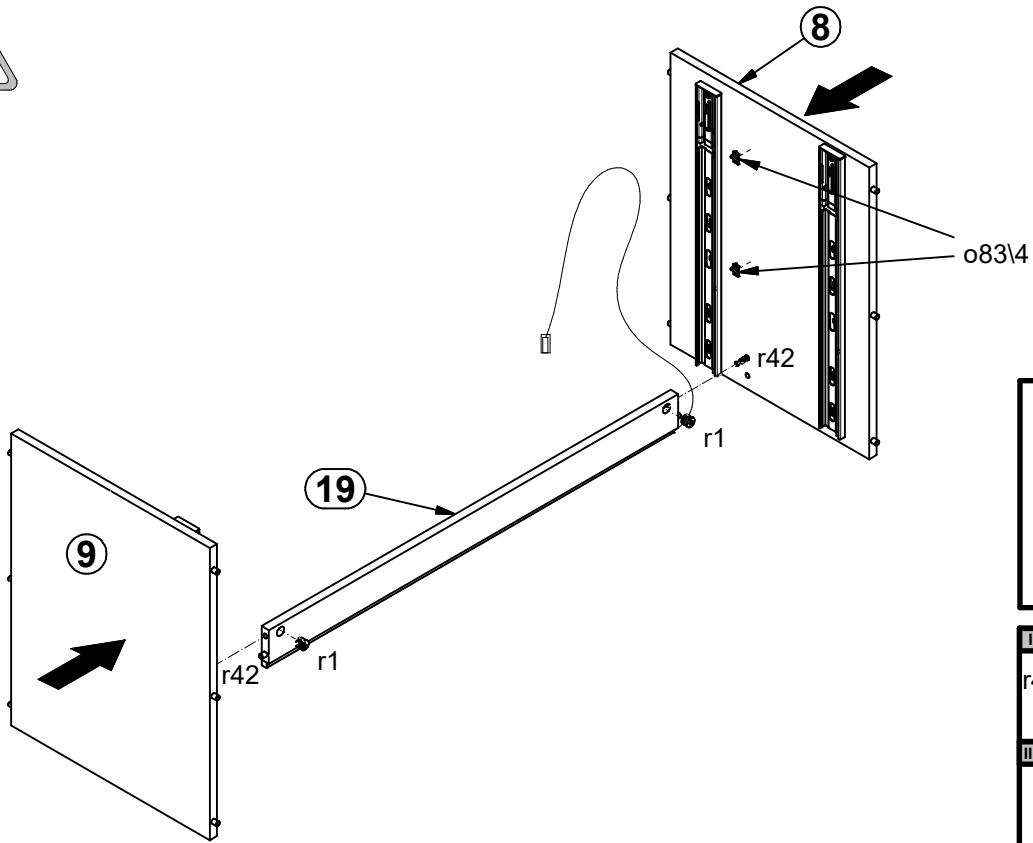
| | | | | | | | | | | |
|-------------------------|--------------------------|--------------------------|-----------------------|--------------------------------------|----------------------------|------------------------------|------------------------|-------------------------|--------------------------|--------------------------|
| 1x n26 | 1x Ø3.5x16 mm p38 | 6x a132 | 2x a133 | 6x b43 | 1x 64 mm c485 | 16x Ø5x17 mm d1 | 2x Ø6.3x15 mm d4 | 8x d37 | 12x Ø7x50 mm e1 | 12x Ø6.3x13 mm e2 |
| 38x Ø8x30 mm f1 | 4x Ø6x30 mm f9 | 8x Ø6.5x40 mm f25 | 6x k1 | 14x l2 | 2x h=22mm n1 | 5x 22x9.5x20.7 mm n108 | 4x Ø3.5x13 mm p1 | 2x Ø3.5x16 mm p25 | 2x p35 | 44x Ø3.5x16 mm p38 |
| 2x Ø3.5x10 mm p35 | 12x Ø3.5x15 mm p51 | 13x Ø2.9x16 mm p55 | 8x Ø4x28 mm p94 | 24x Ø3.5x12 mm p140 | 24x Ø15x12 mm #16 r1 | 8x Ø12x10.5 mm #12 r15 | 32x 20/11 r42 | 2x t34 | 4x L=500 mm w231\1 | 4x L=500 mm w231\2 |
| 2x 500 mm t34 | 12x Ø 20mm s68 | 1x 4 mm z1 | 1x 6 W o70\9 | 1x 10x10 mm L=835 mm o77\37 | 2x 10x18 mm o83\4 | | | | | |



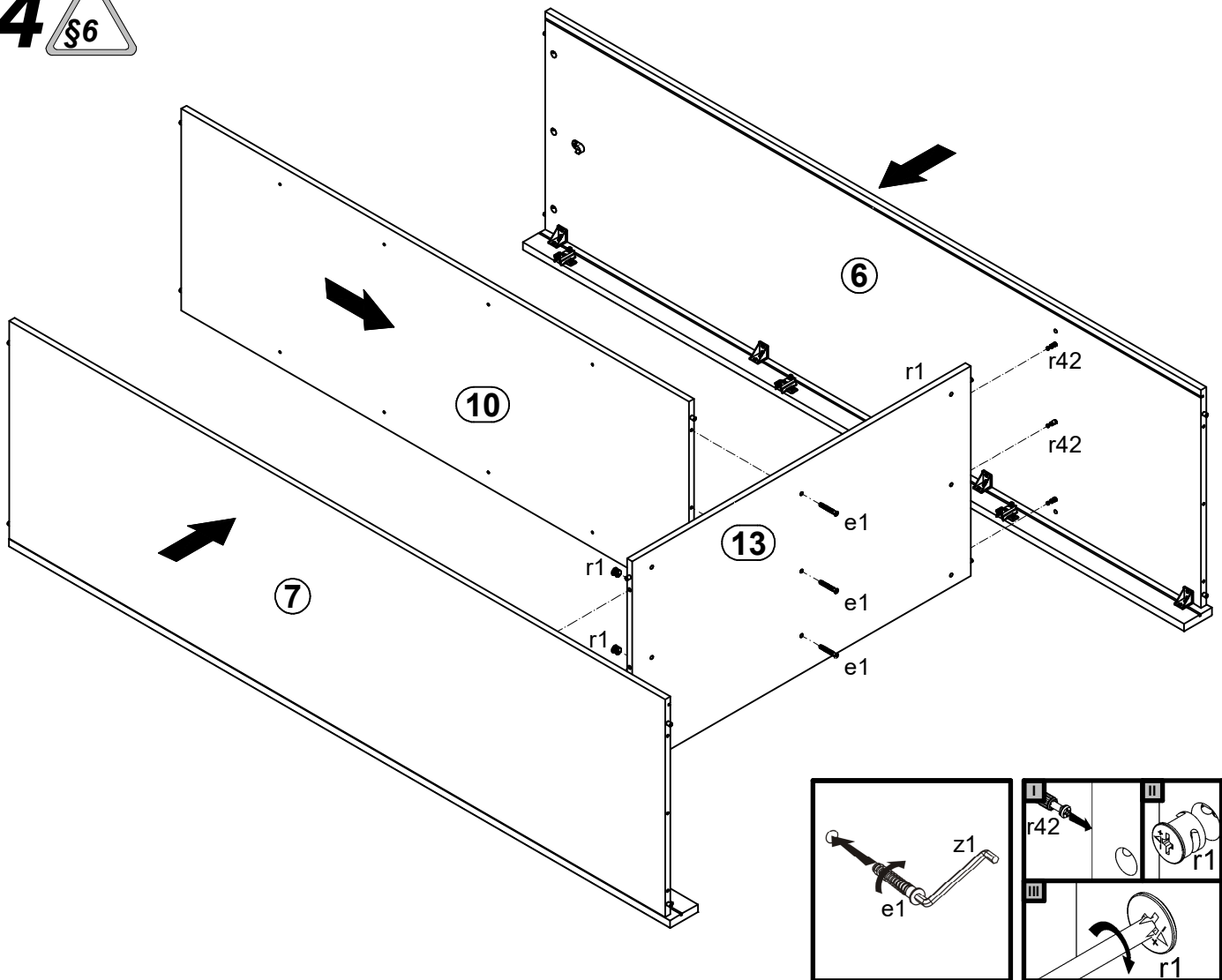
2  

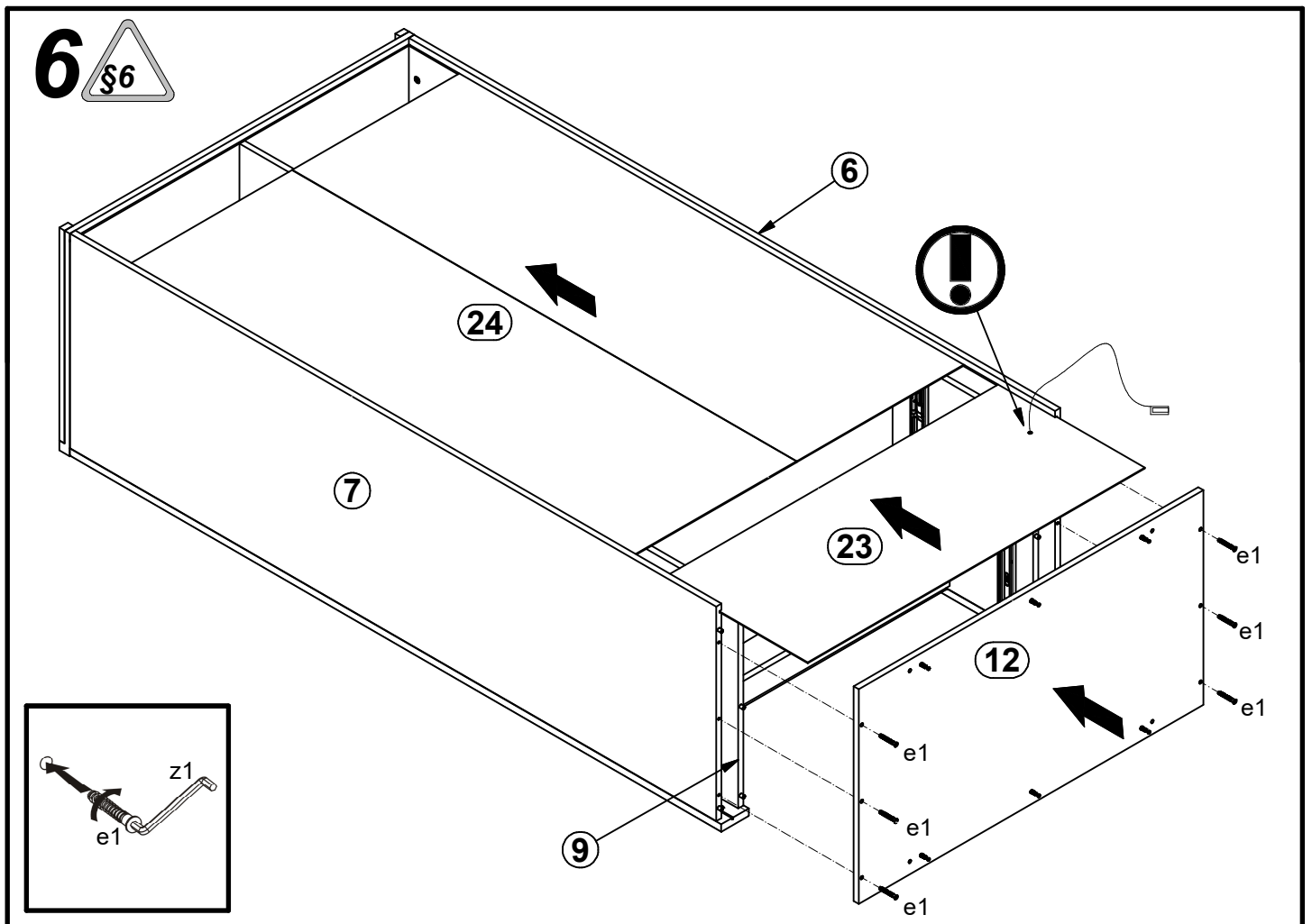
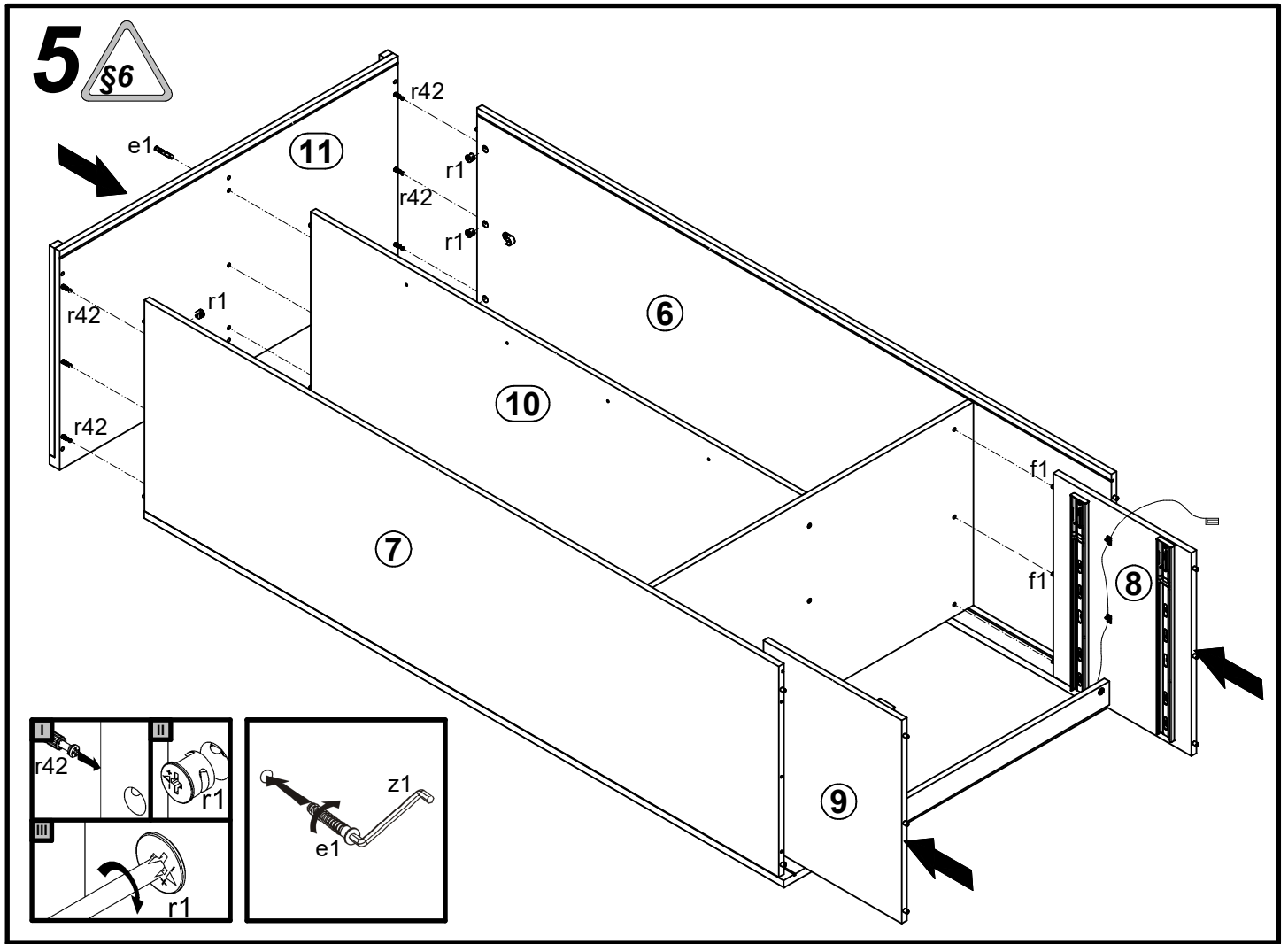


3 §6

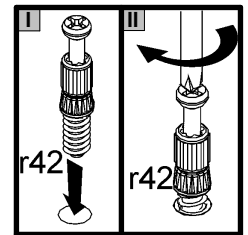
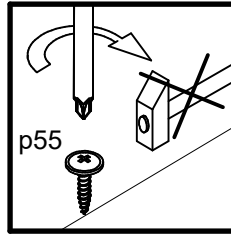
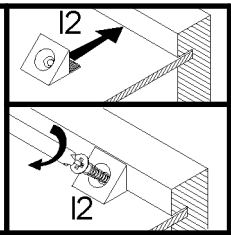
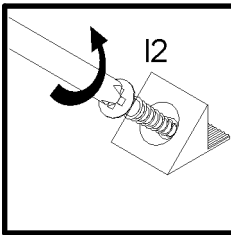
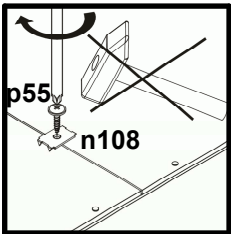
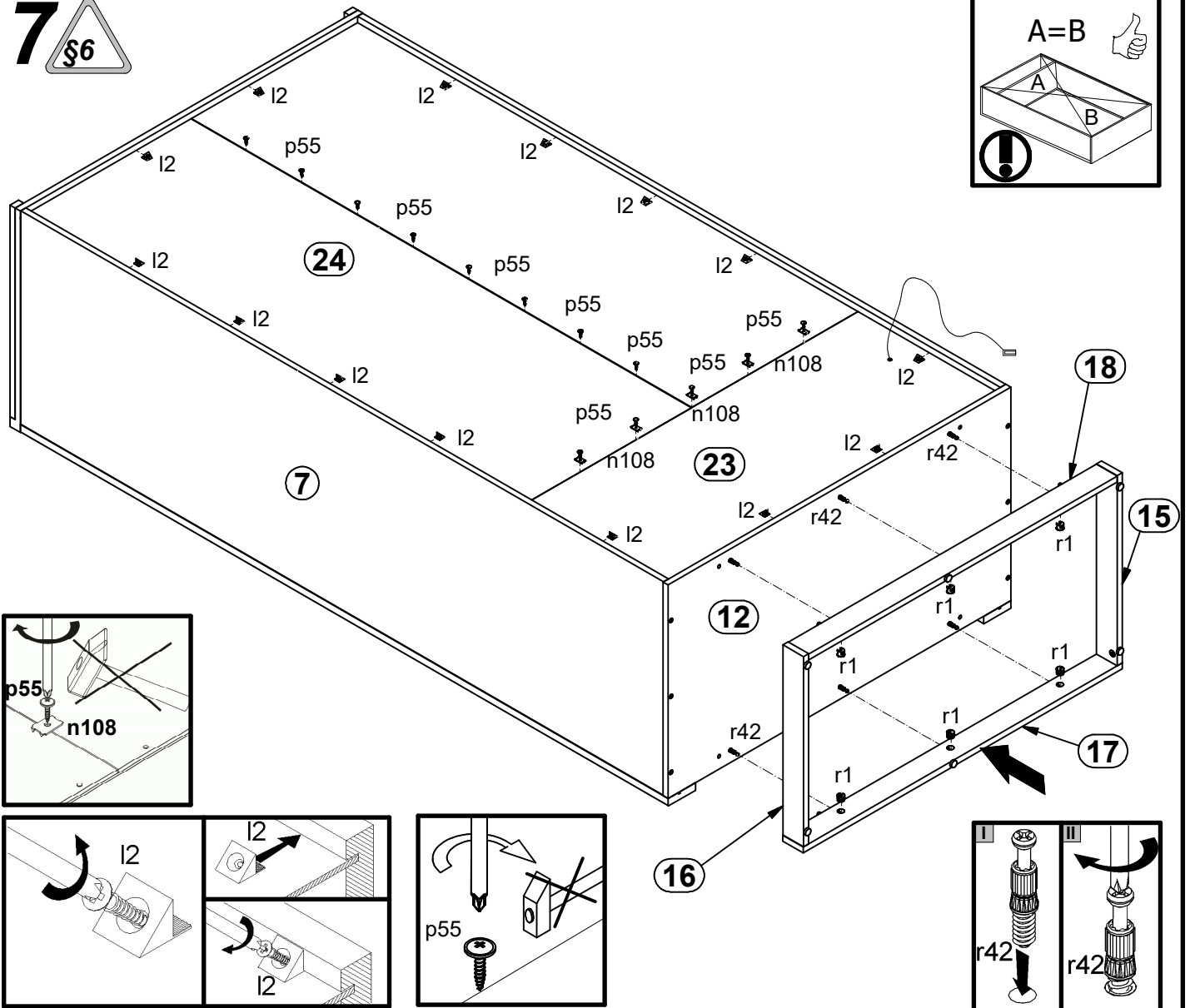
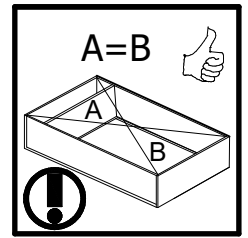


4 §6

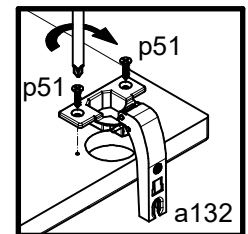
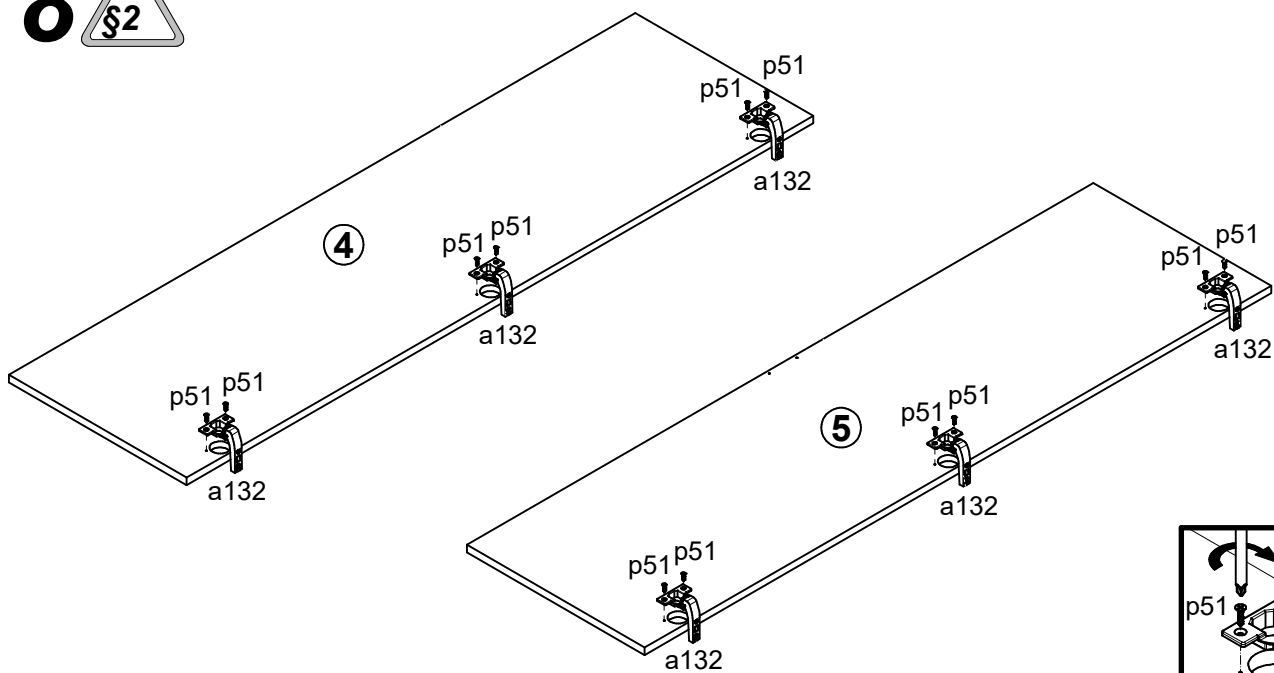




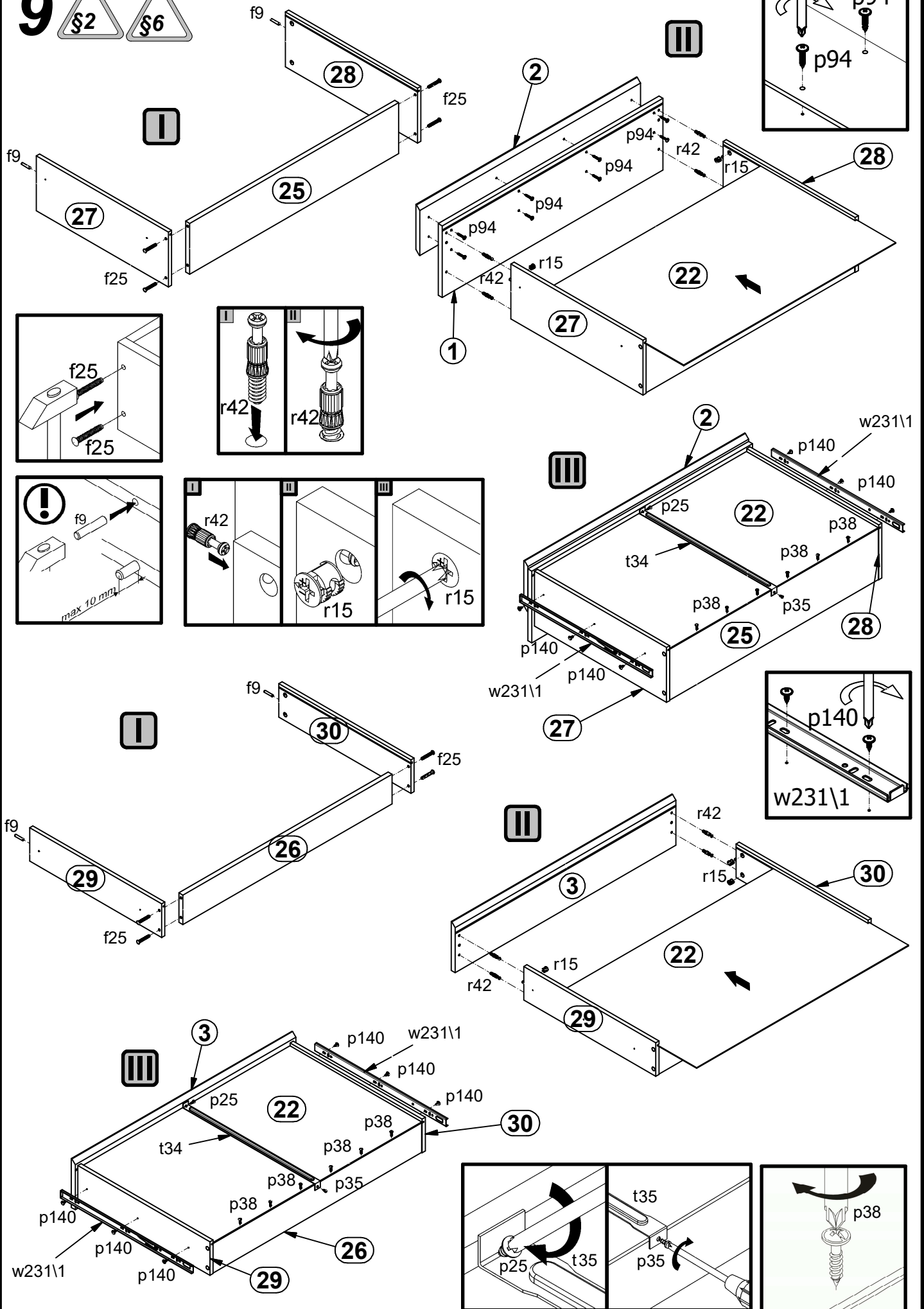
7 §6



8 §2



9



10

