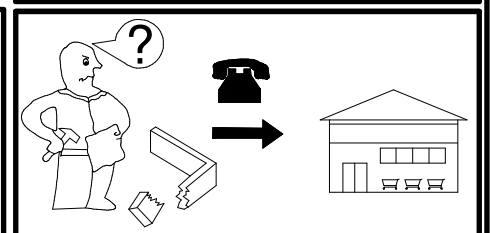
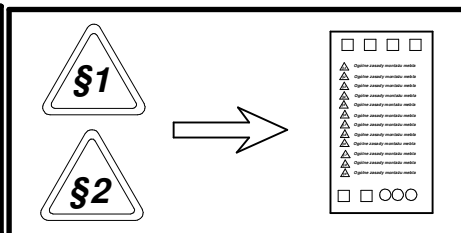
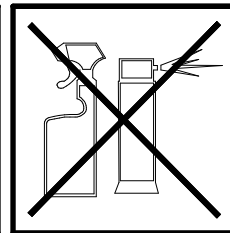
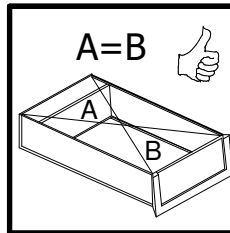
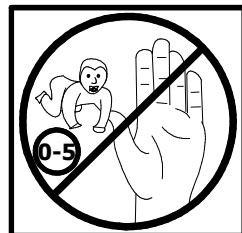
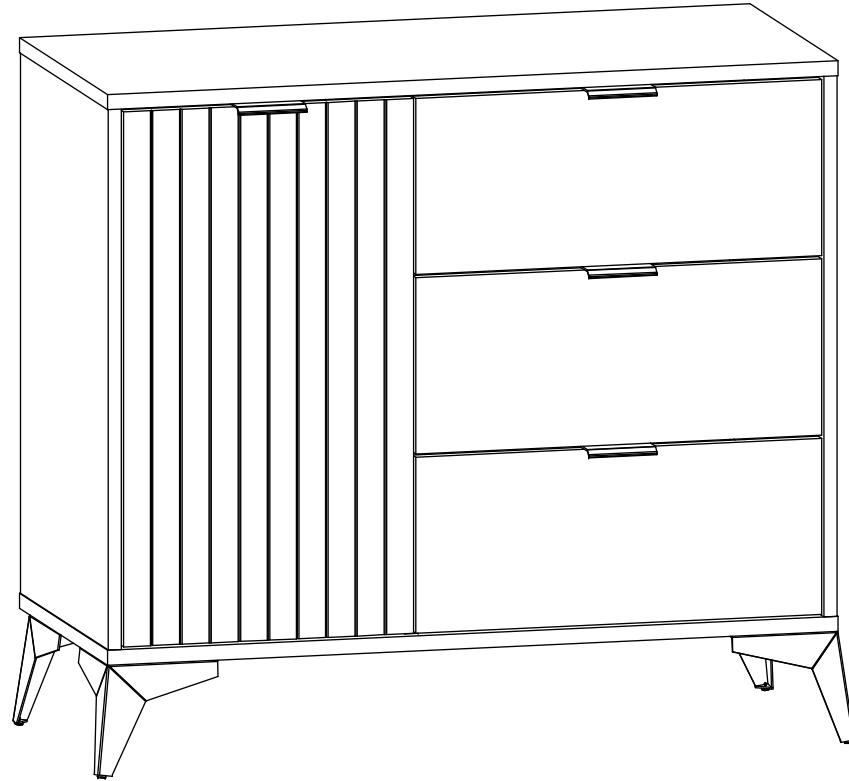
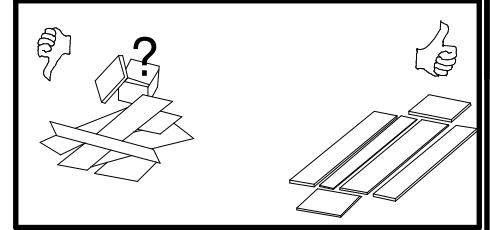
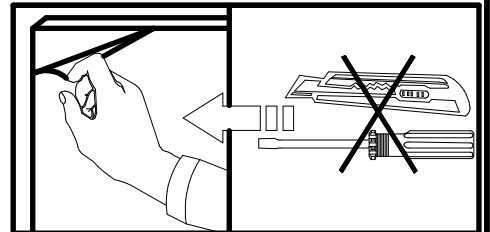
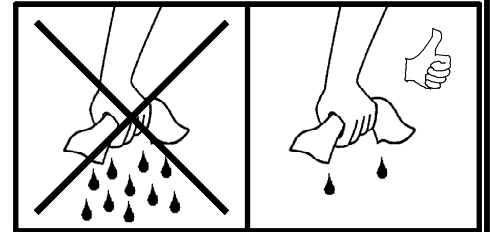
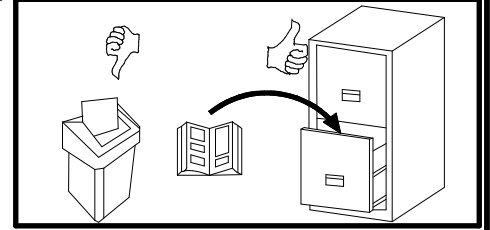
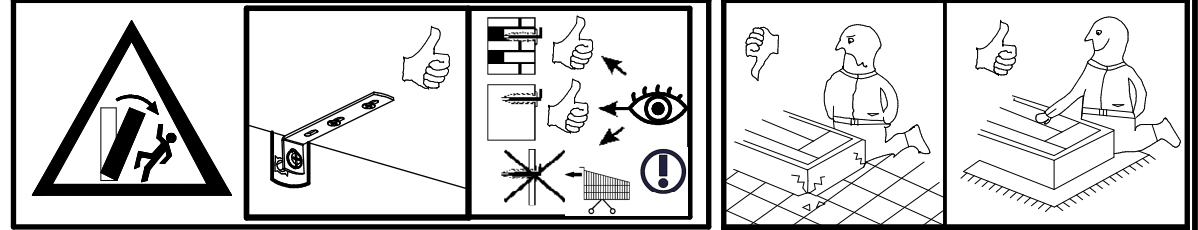
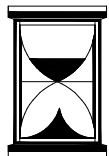
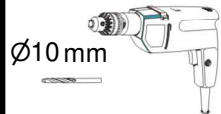
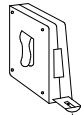
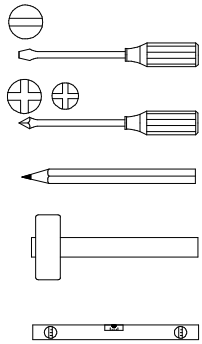
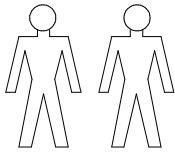


A

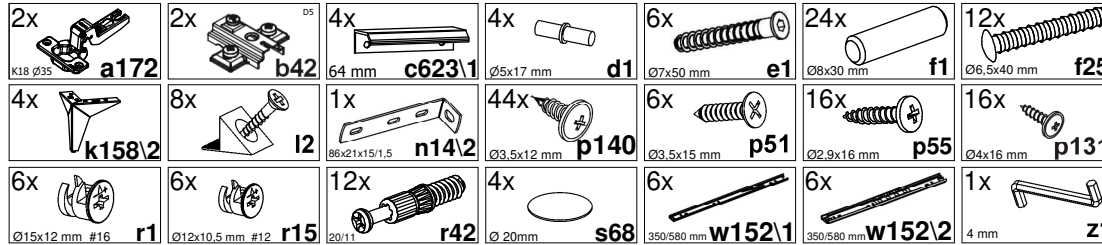
S632-KOM1D3S

LAMEA

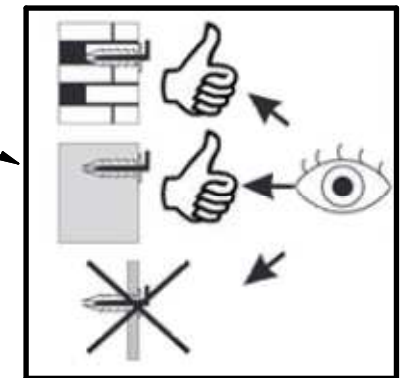


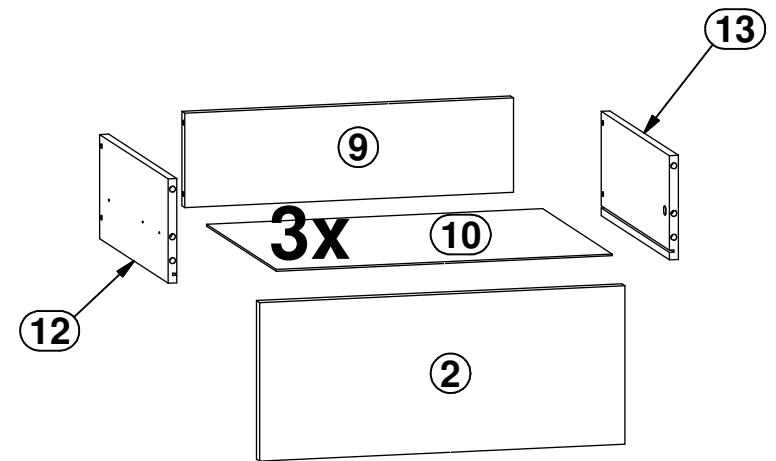
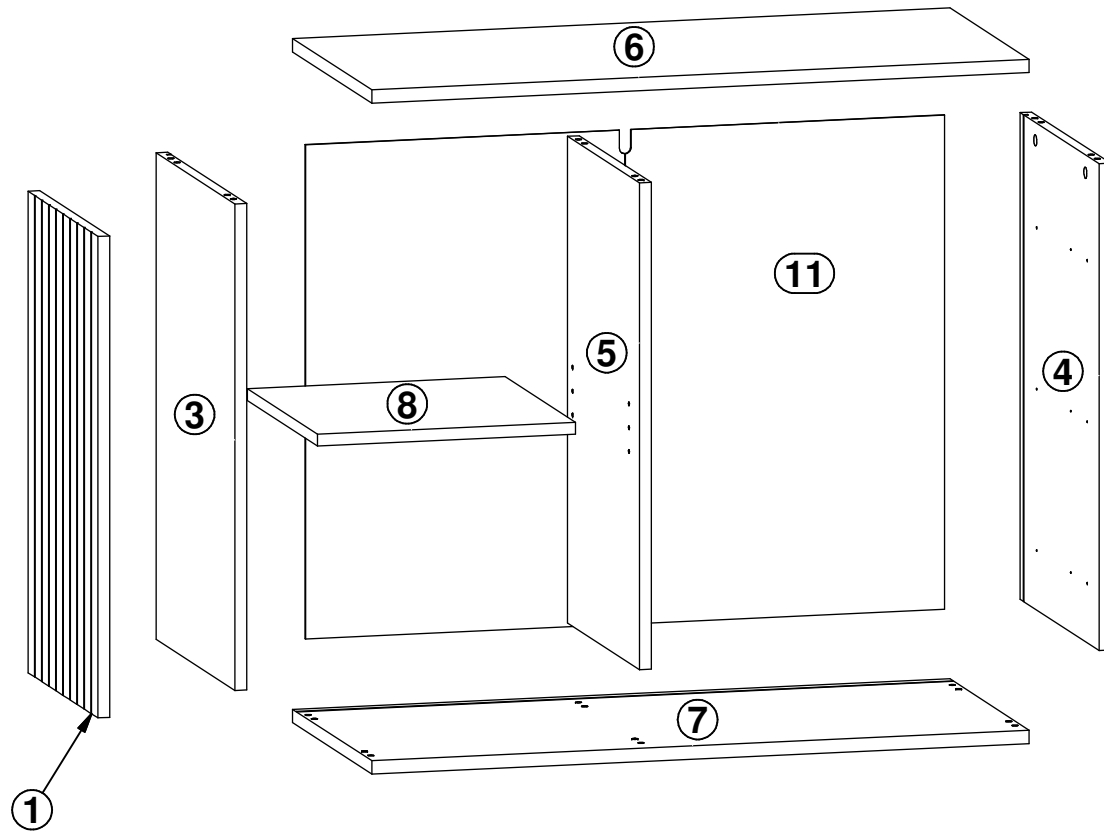


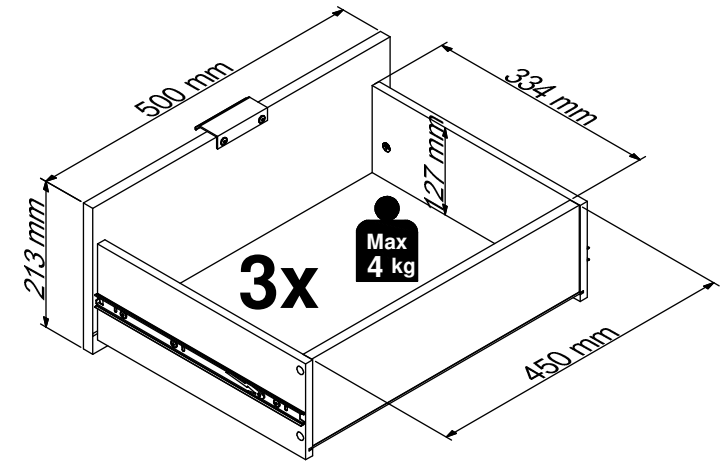
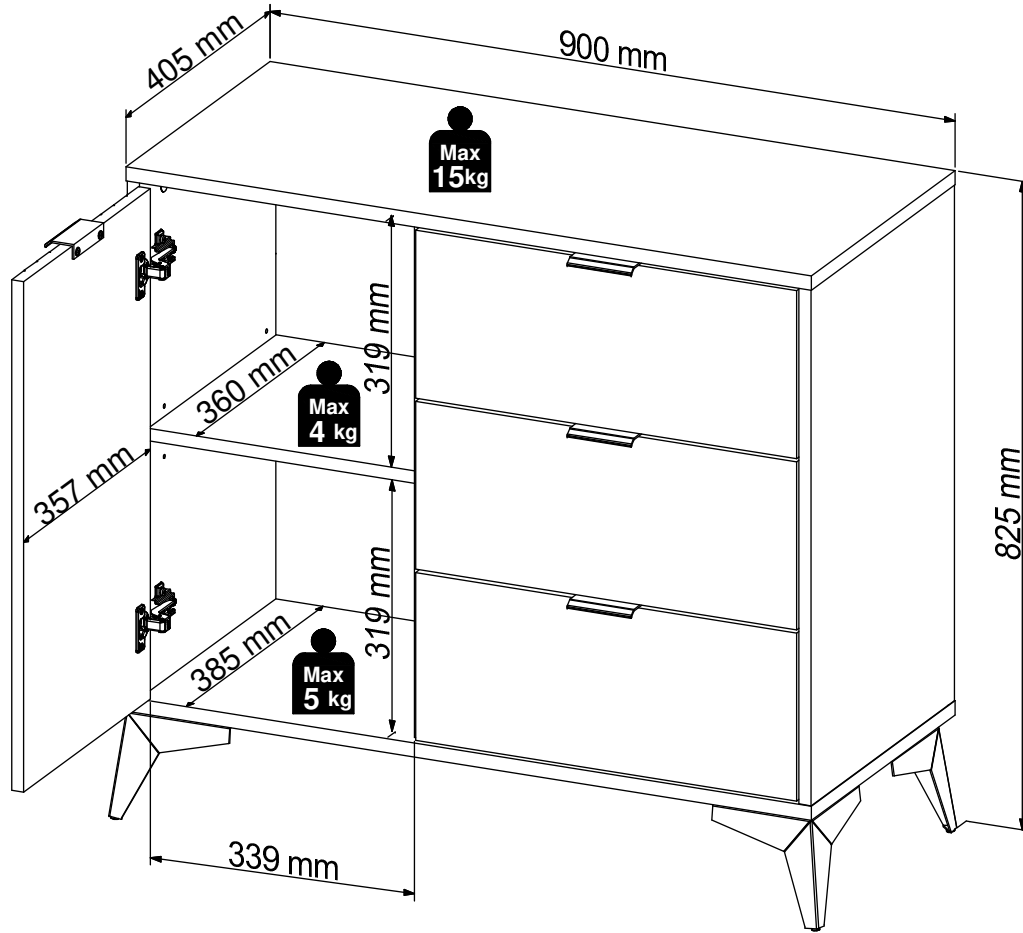
30 min



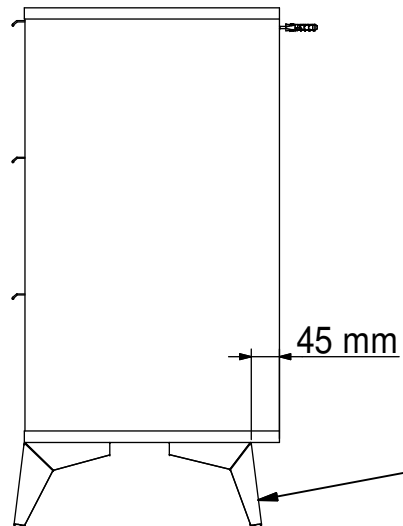
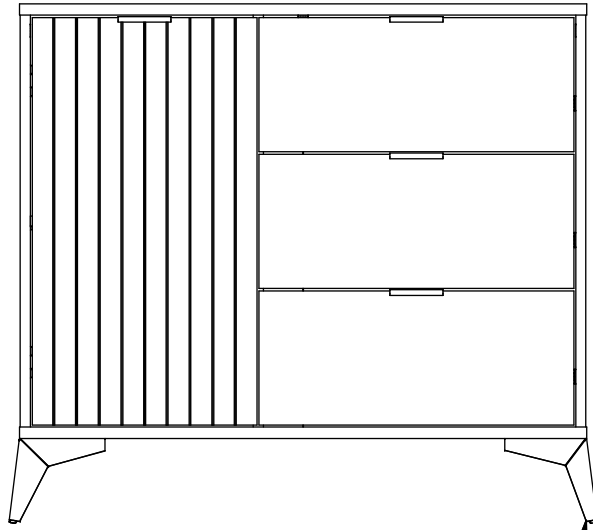
A	B1	B2	C1	C2	C3	D
1	S632-0003	-.1	647	357	16	1/3
2	S632-0004	-.1	500	213	16	1/3
3	S632-1004	-.1	654	404	16	1/3
4	S632-1005	-.1	654	404	16	1/3
5	S632-1006	-.1	654	368	16	1/3
6	S632-2003	-.1	900	405	18	2/3
7	S632-2004	-.1	900	405	18	2/3
8	S632-3002	-.1	353	360	16	1/3
9	S632-5002	-.1	450	127	15	1/3
10	S632-9002	-.1	460	357	2,5	1/3
11	S632-9301	-.2	664	875	2,5	2/3
12	WSK3-5005	-.5	350	140	12	1/3
13	WSK3-5006	-.5	350	140	12	1/3



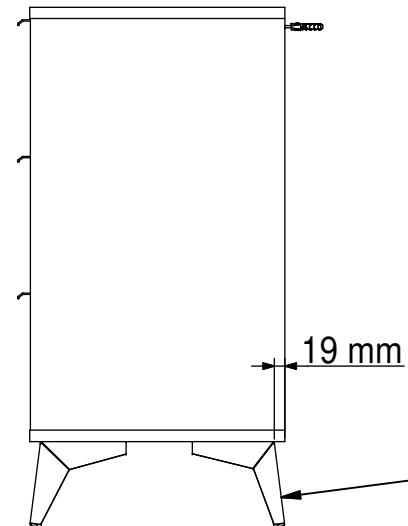
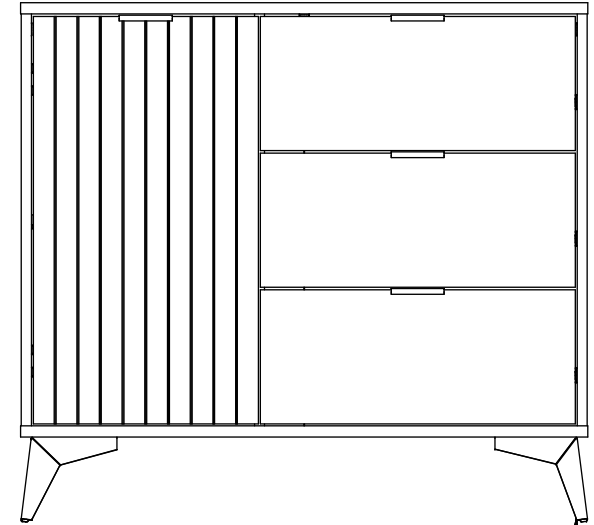


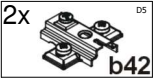
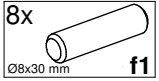
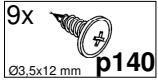
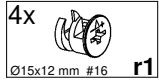
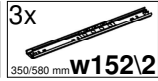


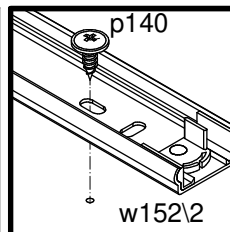
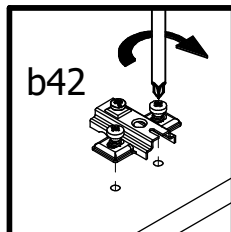
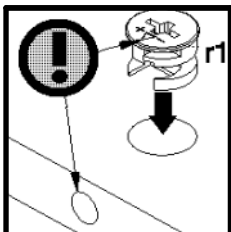
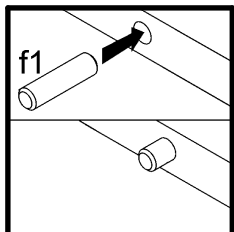
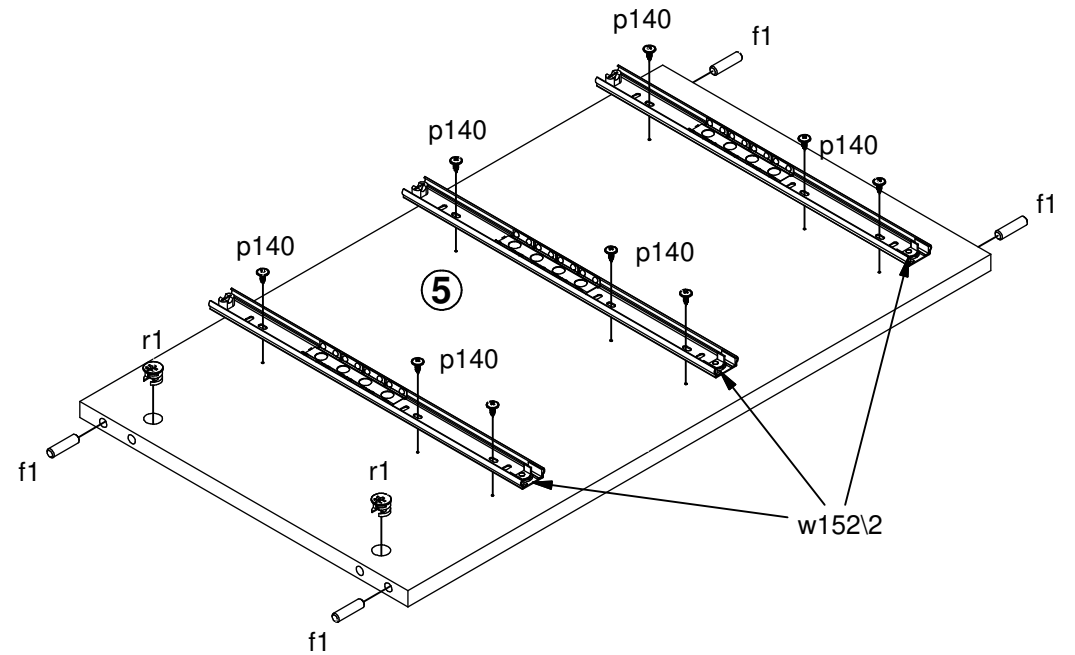
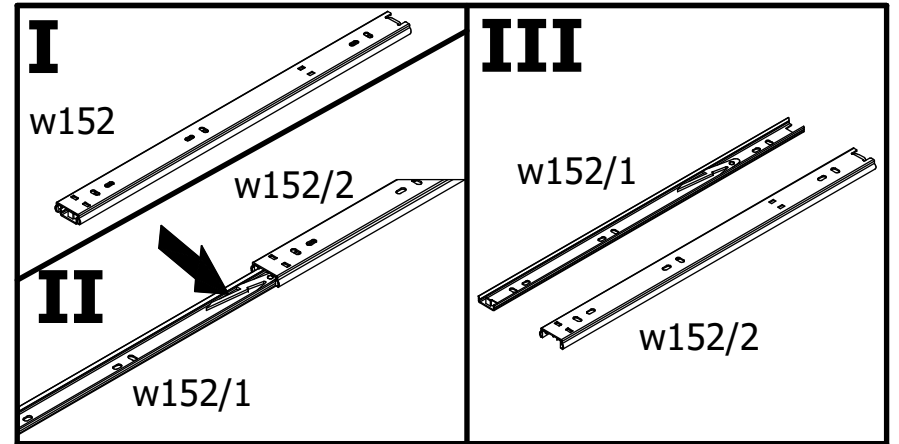
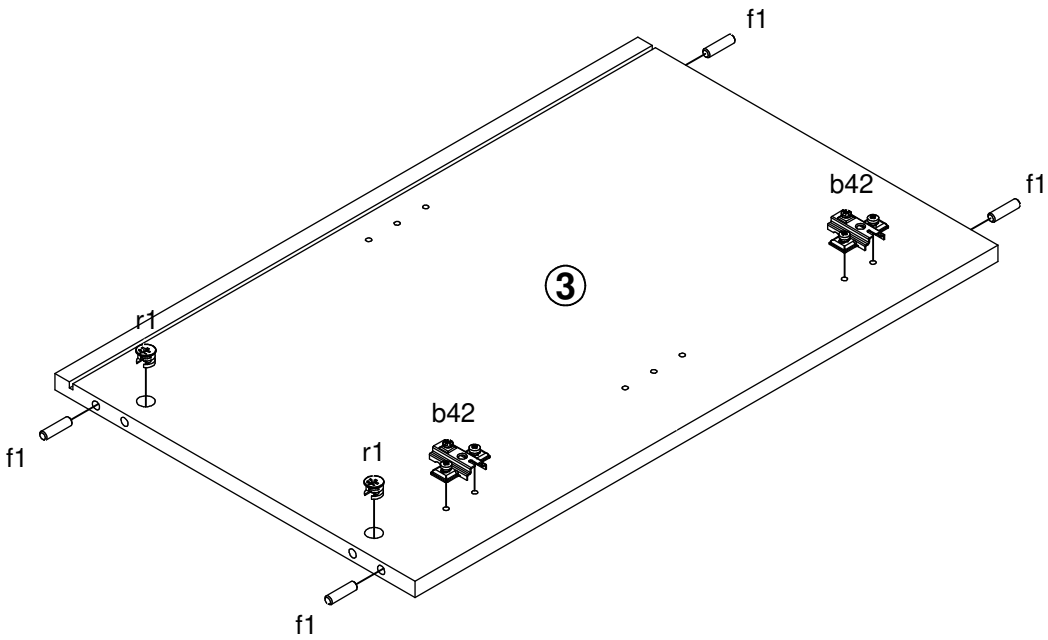
A



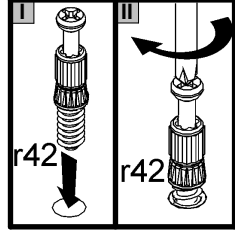
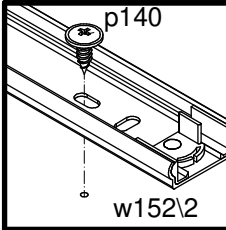
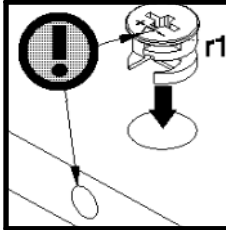
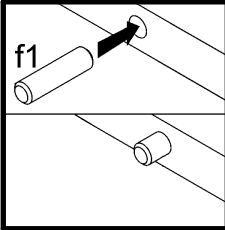
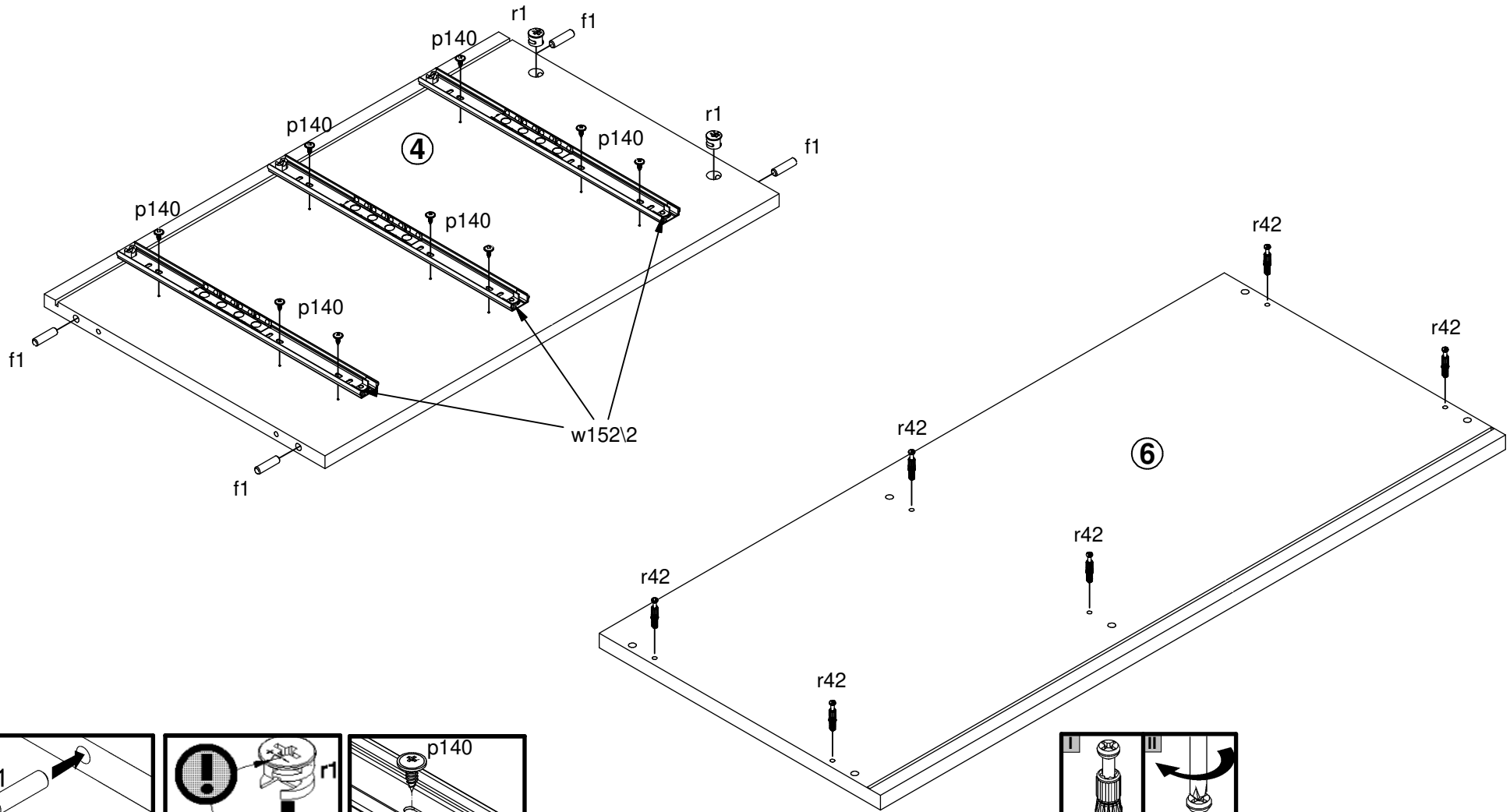
B

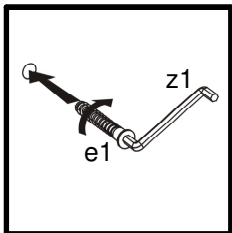
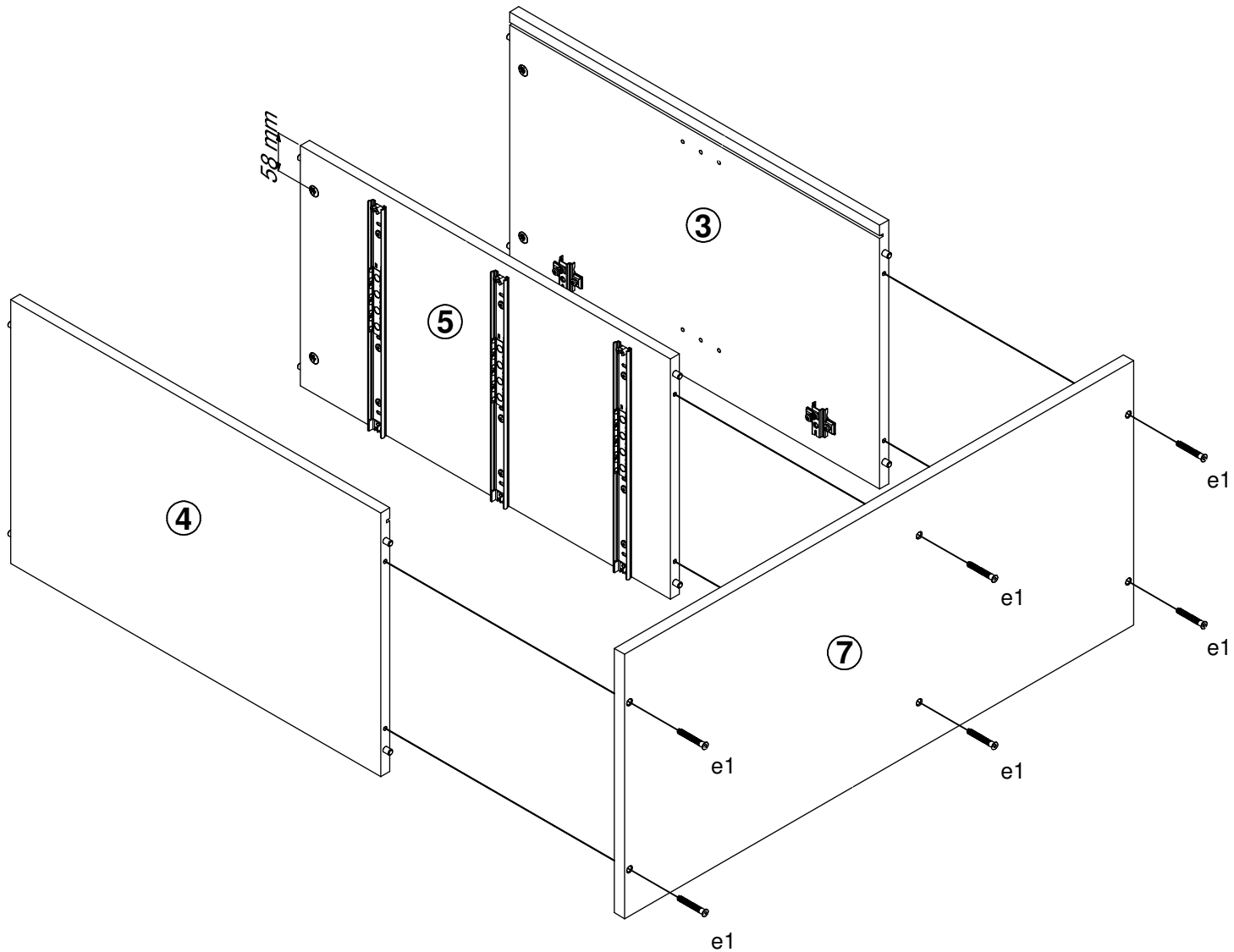
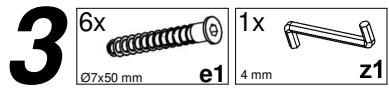


- 1** 2x  ^{DS} b42 8x  f1 9x  p140 4x  r1 3x  350/580 mm w152/2

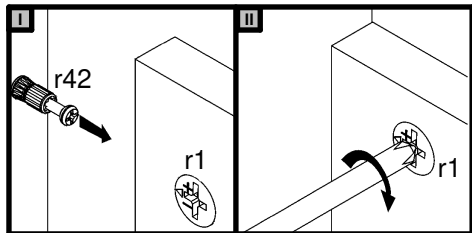
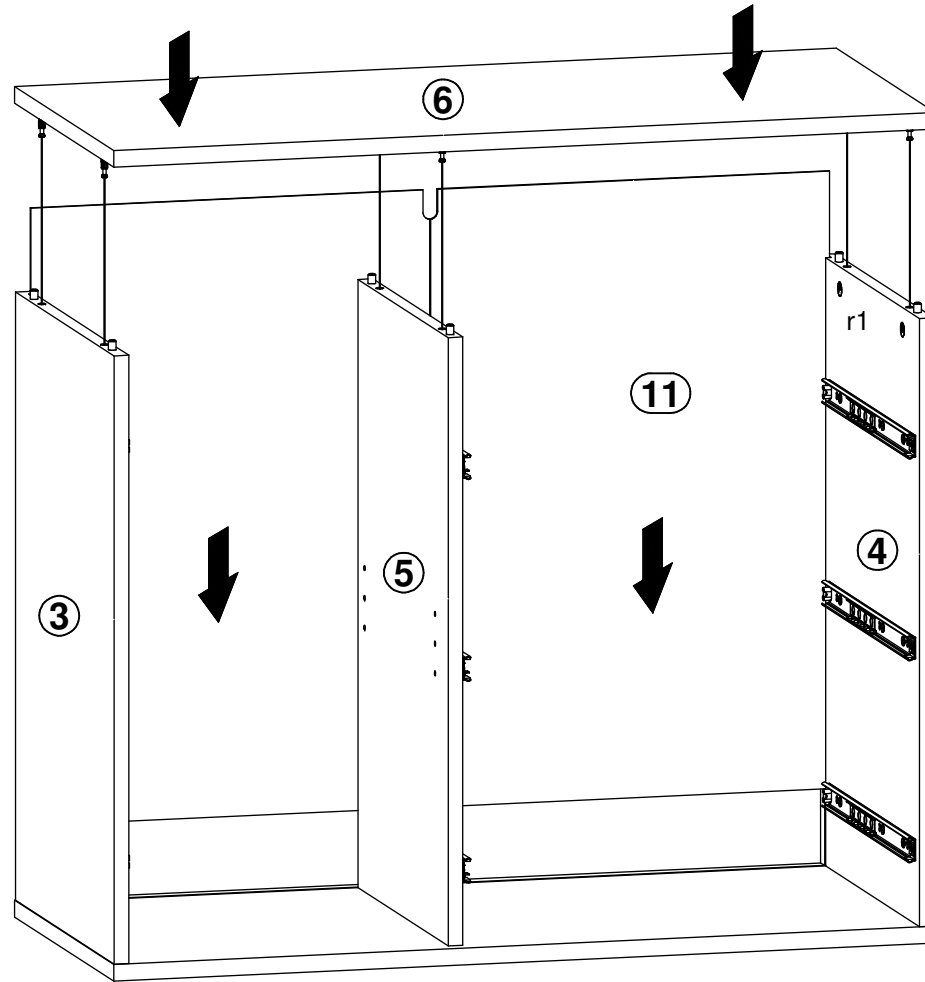


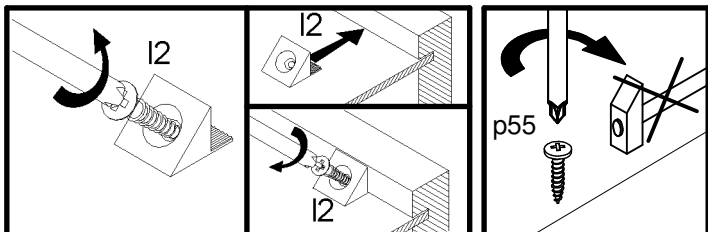
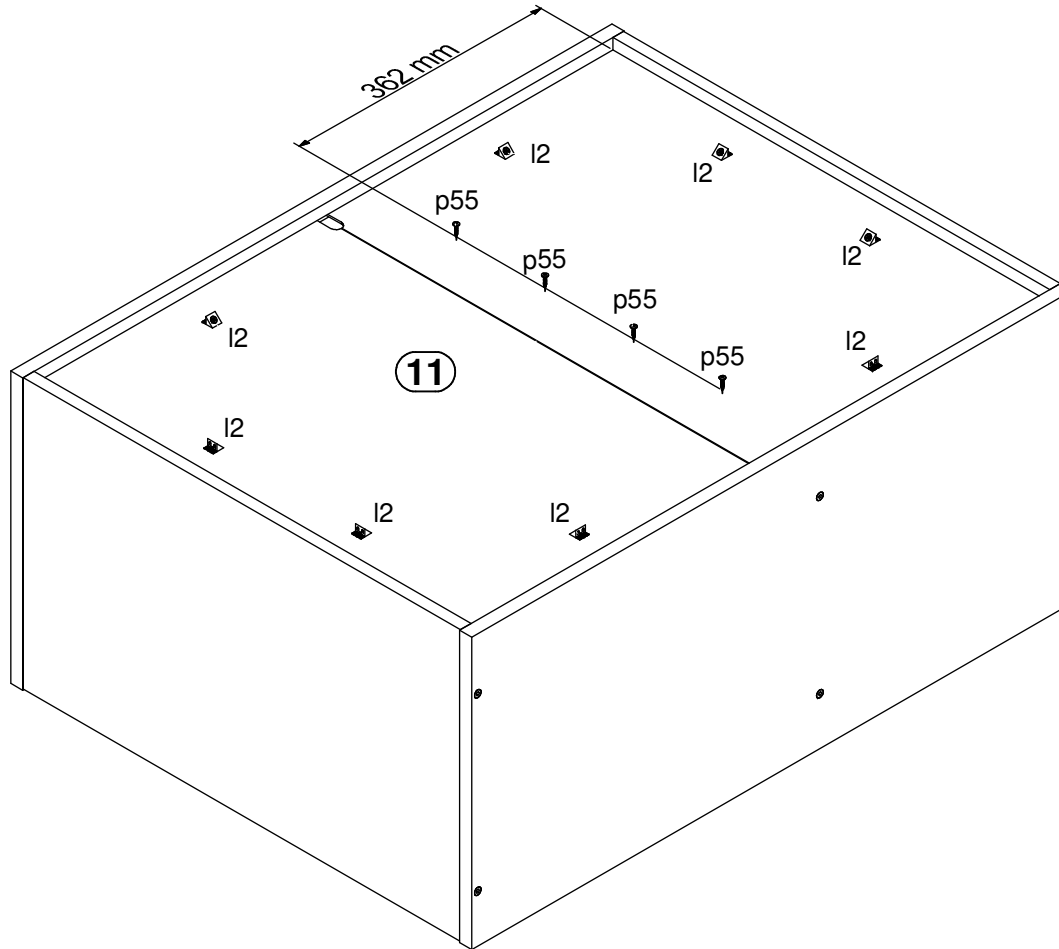
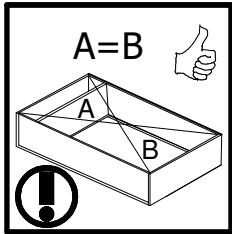
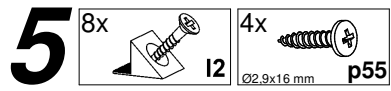
- 2 4x $\varnothing 8 \times 30$ mm f1
- 9x $\varnothing 3,5 \times 12$ mm p140
- 2x $\varnothing 15 \times 12$ mm #16 r1
- 6x $\varnothing 20 \times 11$ mm r42
- 3x $350/580$ mm w152\2

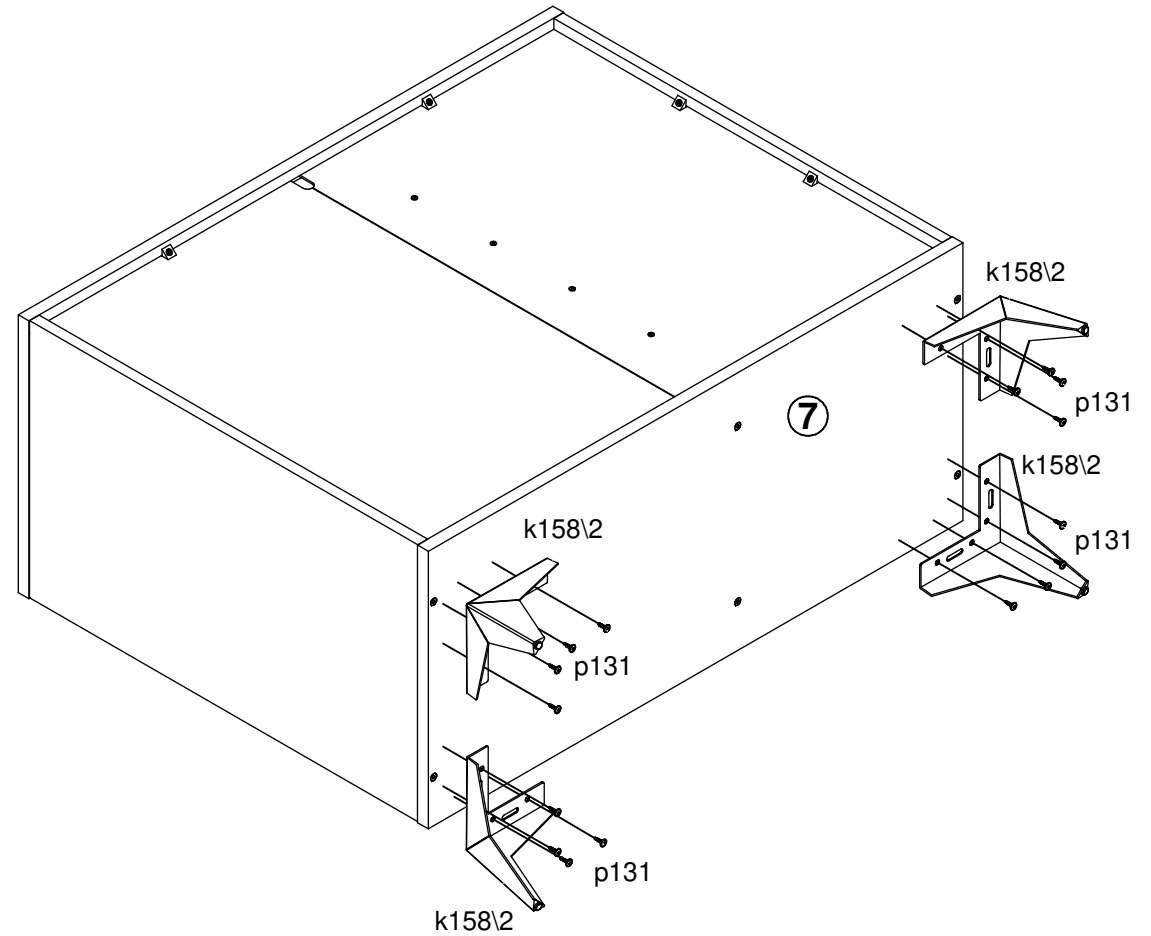
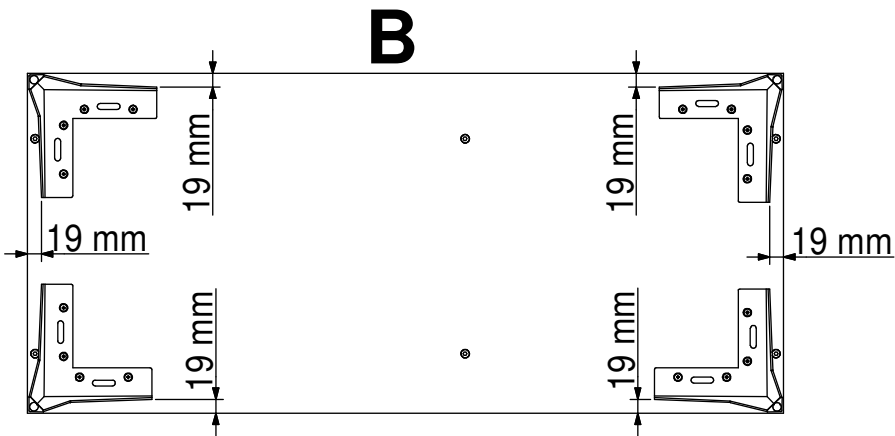
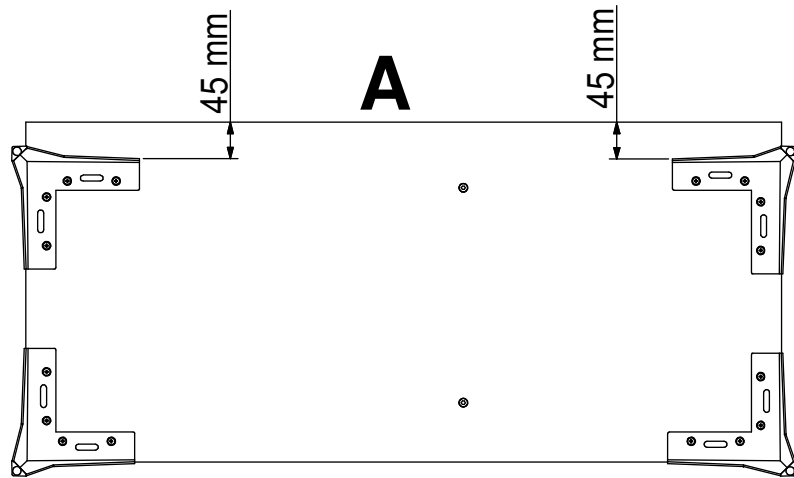








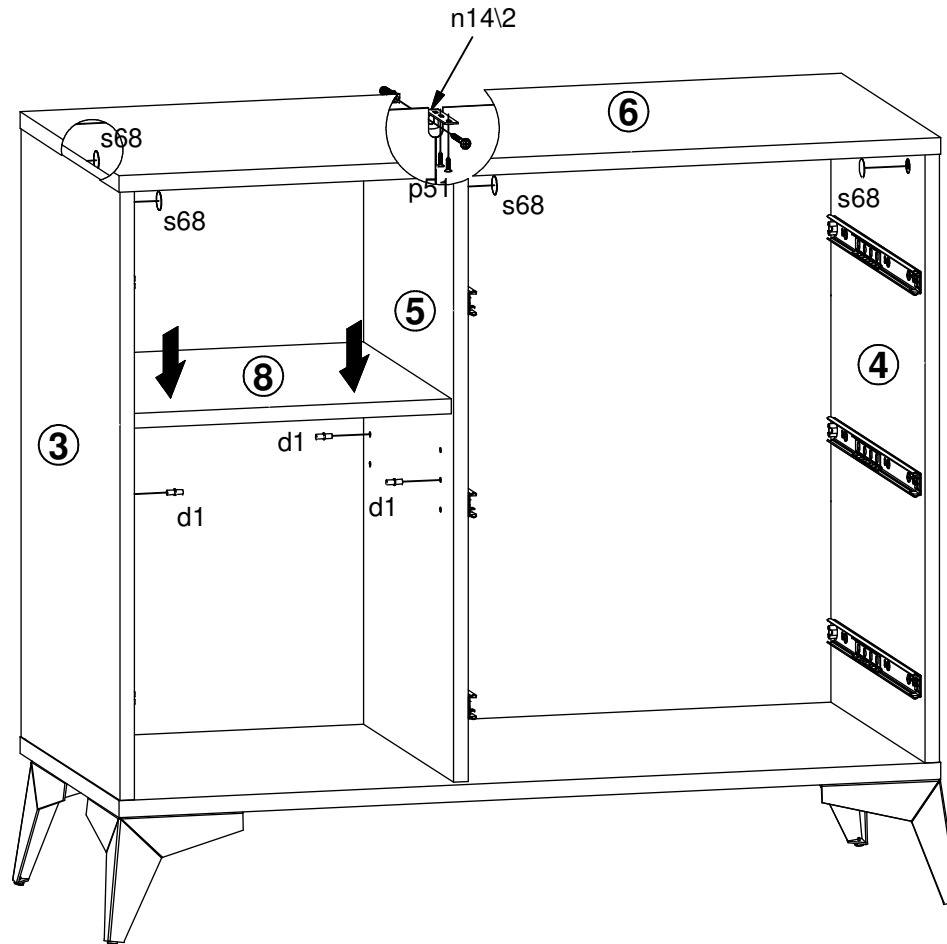
4


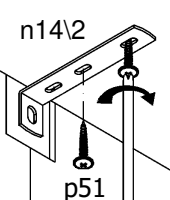
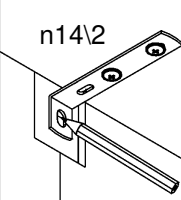
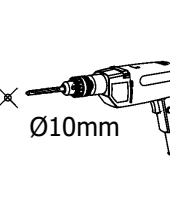
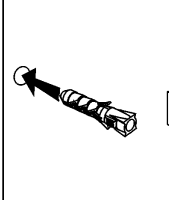
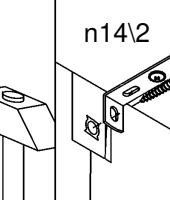

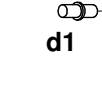

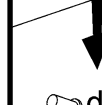
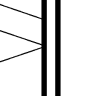



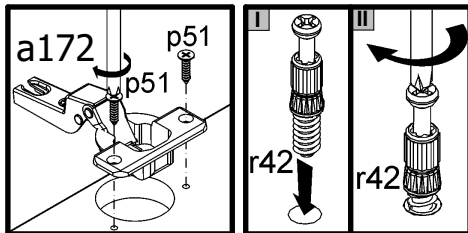
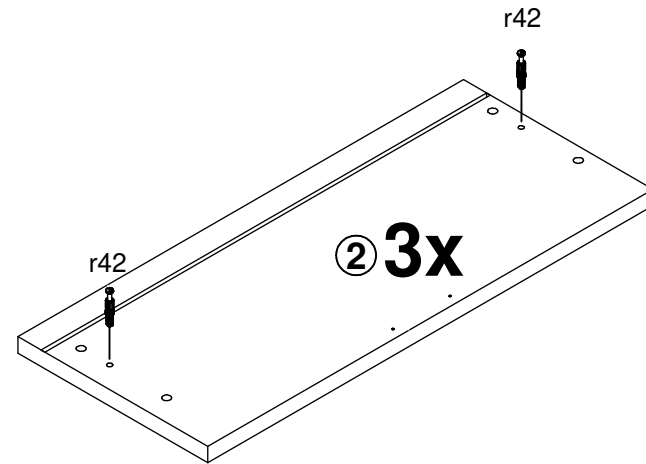
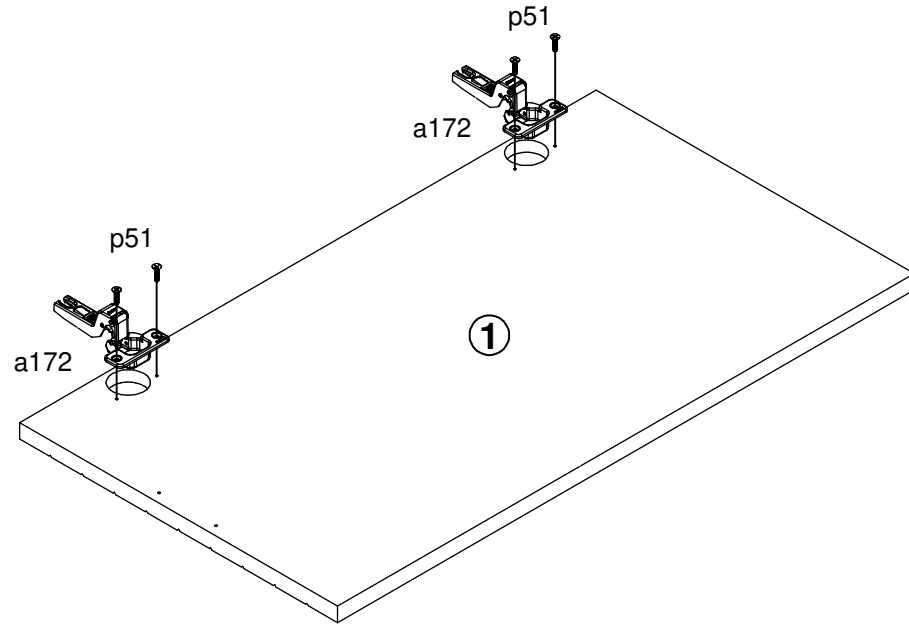
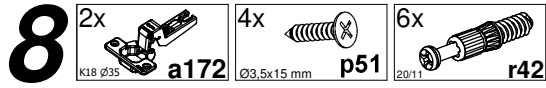




- 7**
- 4x  **d1** $\varnothing 5 \times 17 \text{ mm}$
 - 1x  **n142** $86 \times 21 \times 151,5$
 - 2x  **p51** $\varnothing 3,5 \times 15 \text{ mm}$
 - 4x  **s68** $\varnothing 20 \text{ mm}$



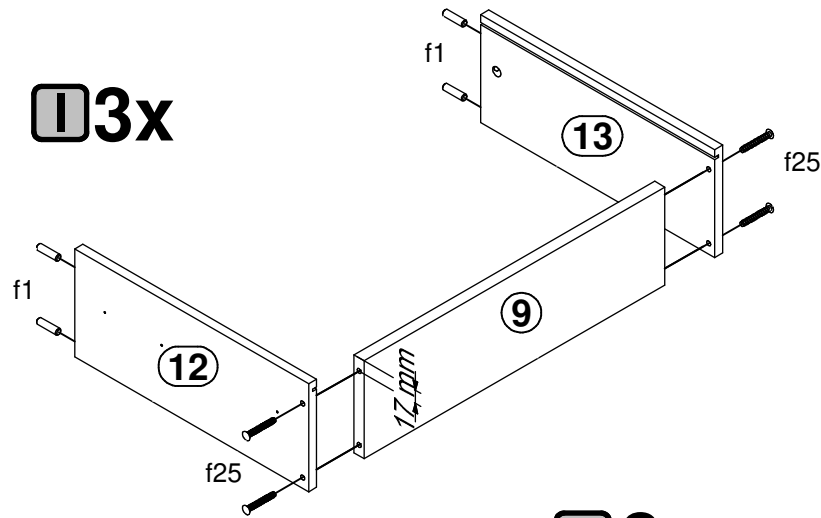
						 	 	 
---	---	---	---	---	---	---	---	---



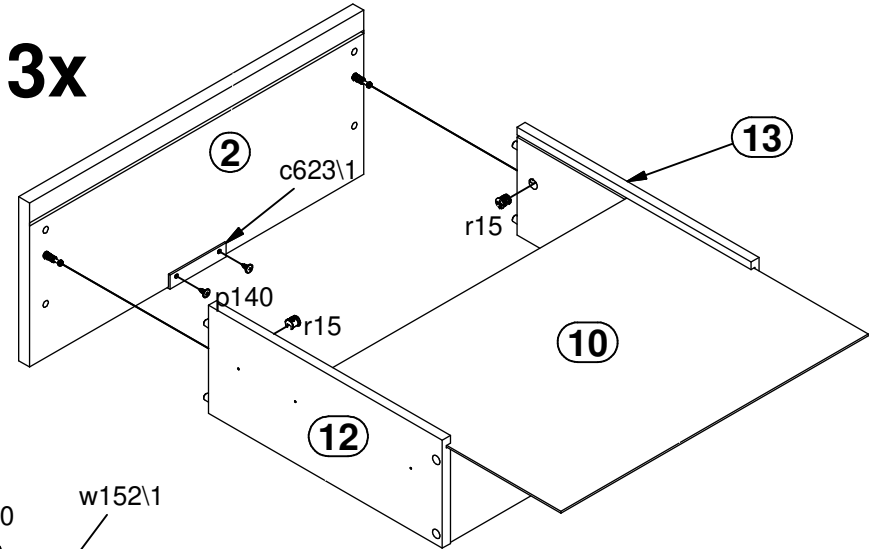
- 9 3x 64 mm c623\1
- 12x Ø8x30 mm f1
- 12x Ø6,5x40 mm f25
- 24x Ø3,5x12 mm p140
- 12x Ø2,9x16 mm p55
- 6x Ø12x10,5 mm #12 r15
- 6x 350/580 mm w152\1



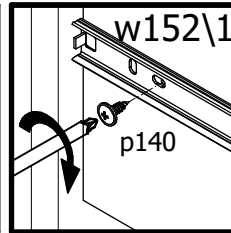
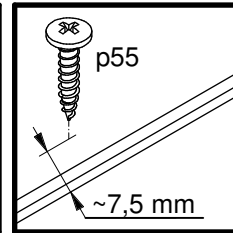
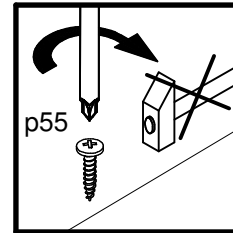
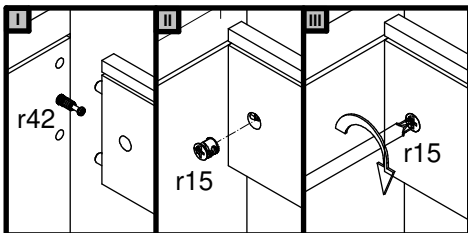
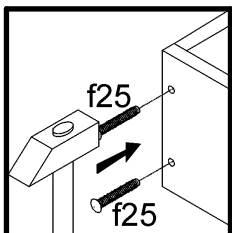
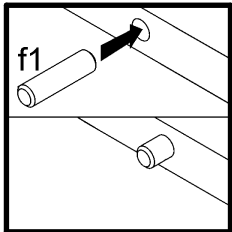
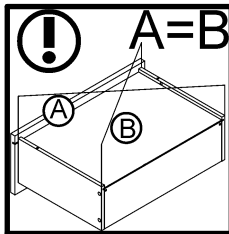
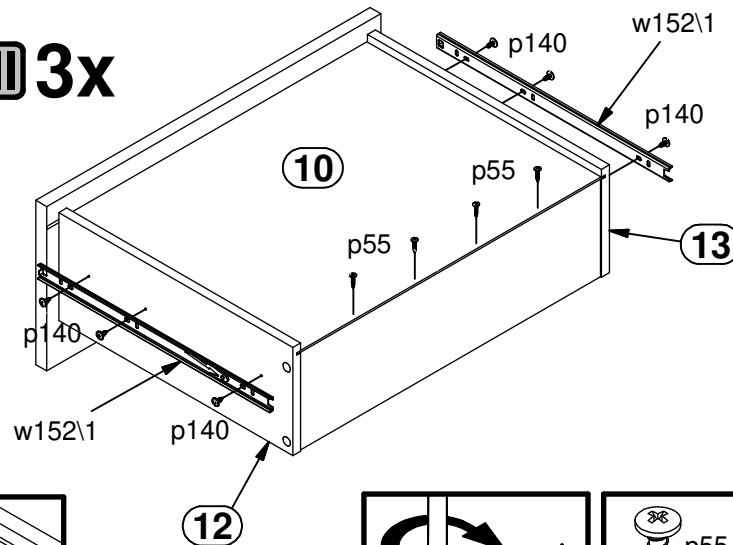
3x



3x



3x



10

