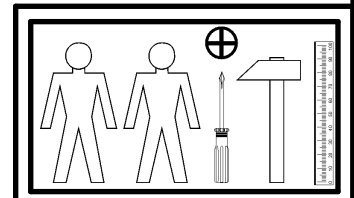
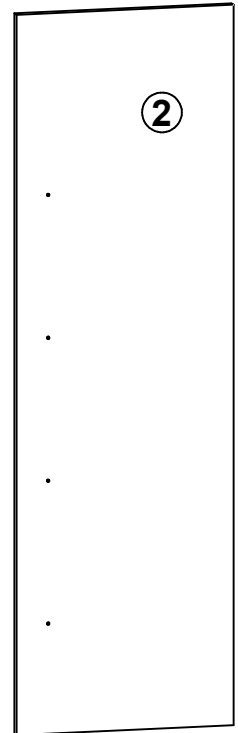
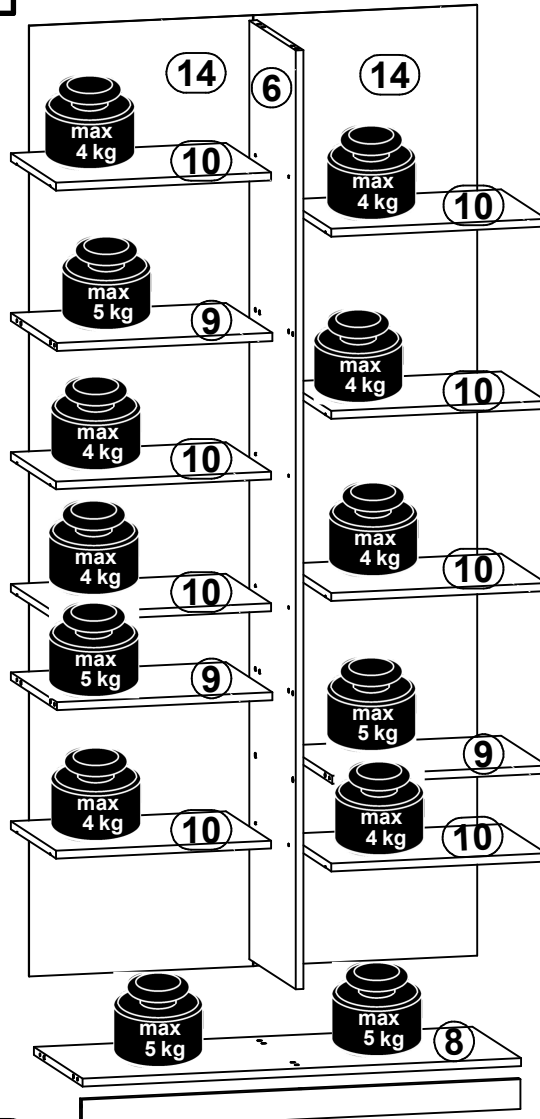
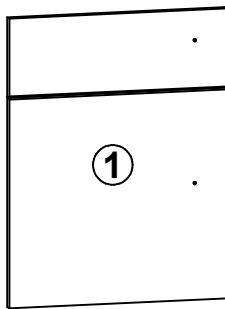
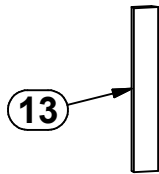
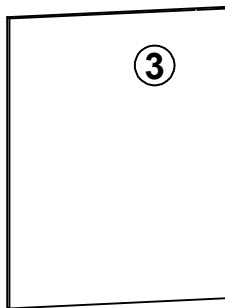
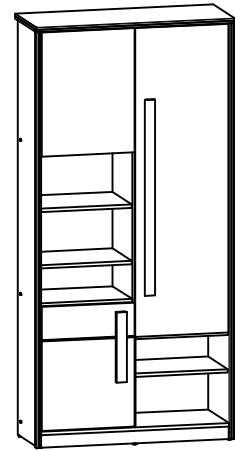


A

NAMEK

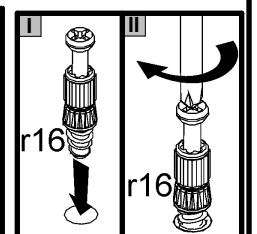
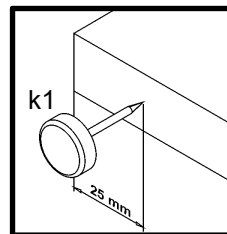
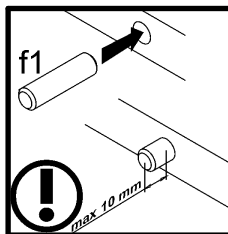
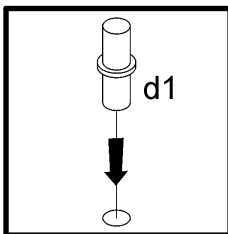
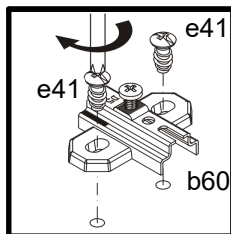
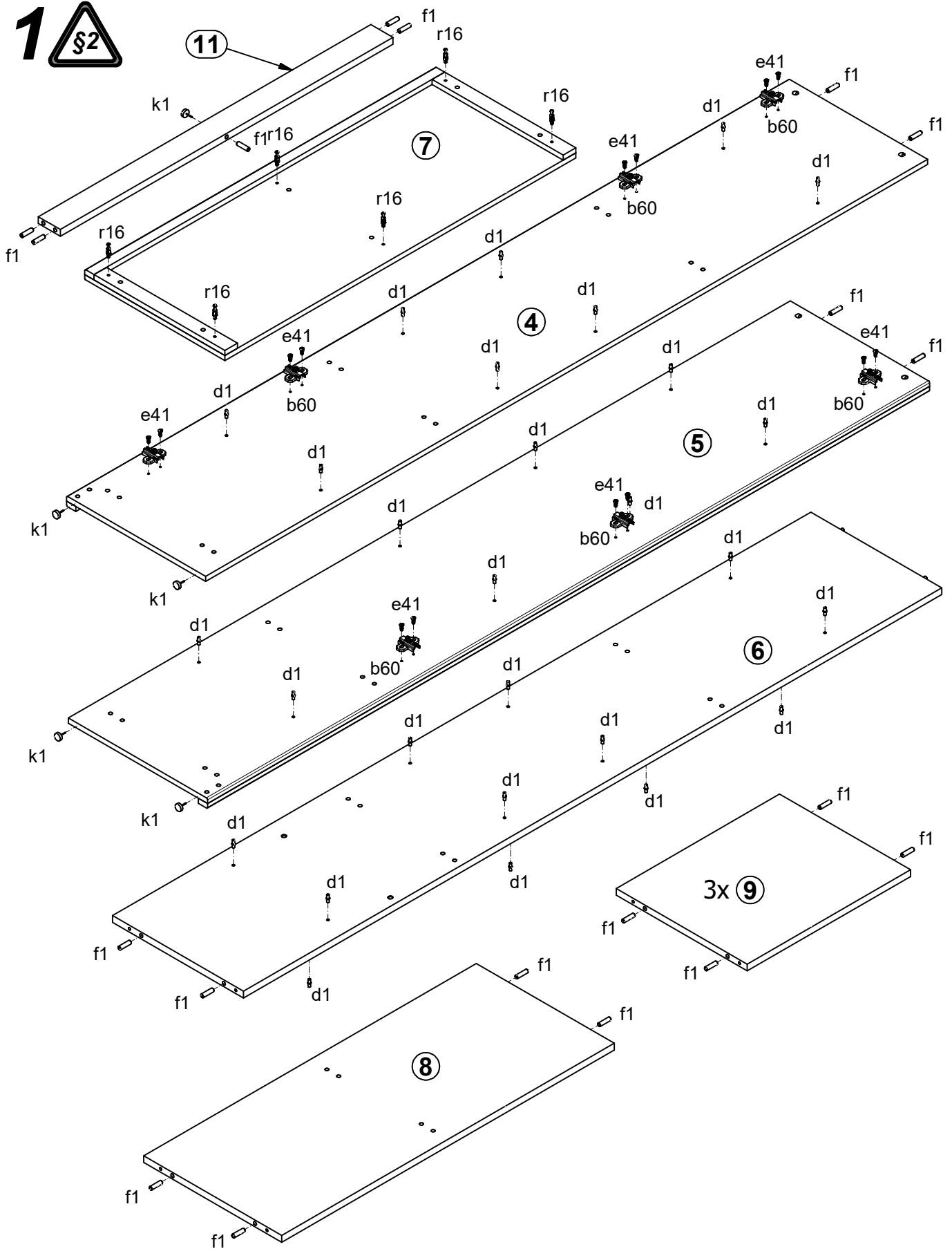
S412-REG3D

A	B	C	D
1	S412-0008	584	446
2	S412-0010	1452,	446,
3	S412-0011	584,	446,
4	S412-1011	1956,	377
5	S412-1012	1956,	377
6	S412-1013	1892	355,
7	S412-2005	950	380
8	S412-3012	901	374,
9	S412-3013	442,5	355,
10	S412-3014	442	348
11	S412-4001	901	60
12	S412-5701	920,	50,
13	S412-5702	330,	50,
14	S412-9004	1916,	460

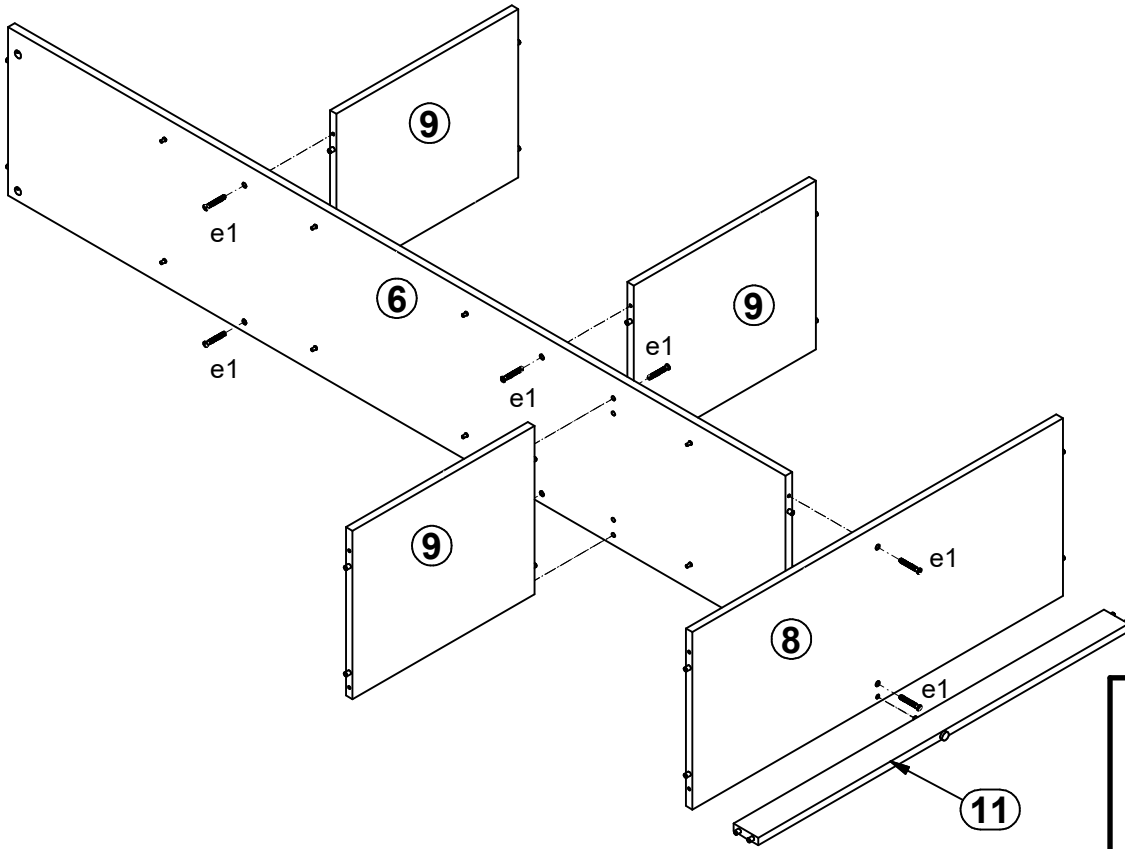


7x K16 a43	7x D5 b60	32x Ø5x17 mm d1	18x Ø7x50 mm e1	14x Ø5x12 mm e41	29x Ø8x30 mm f1	5x k1	100x 1.4x20 mm l1	6x silikon o21
14x Ø3.5x15 mm p51	6x Ø4x28 mm p94	2x Ø15x12 mm #16 r1	4x Ø12x10.5 mm #12 r15	6x 20/9 r16	16x s1	2x Ø16 s2	4x Ø12 s34	1x 4 mm z1
1x Ø3.5x16 mm p38	1x n26							

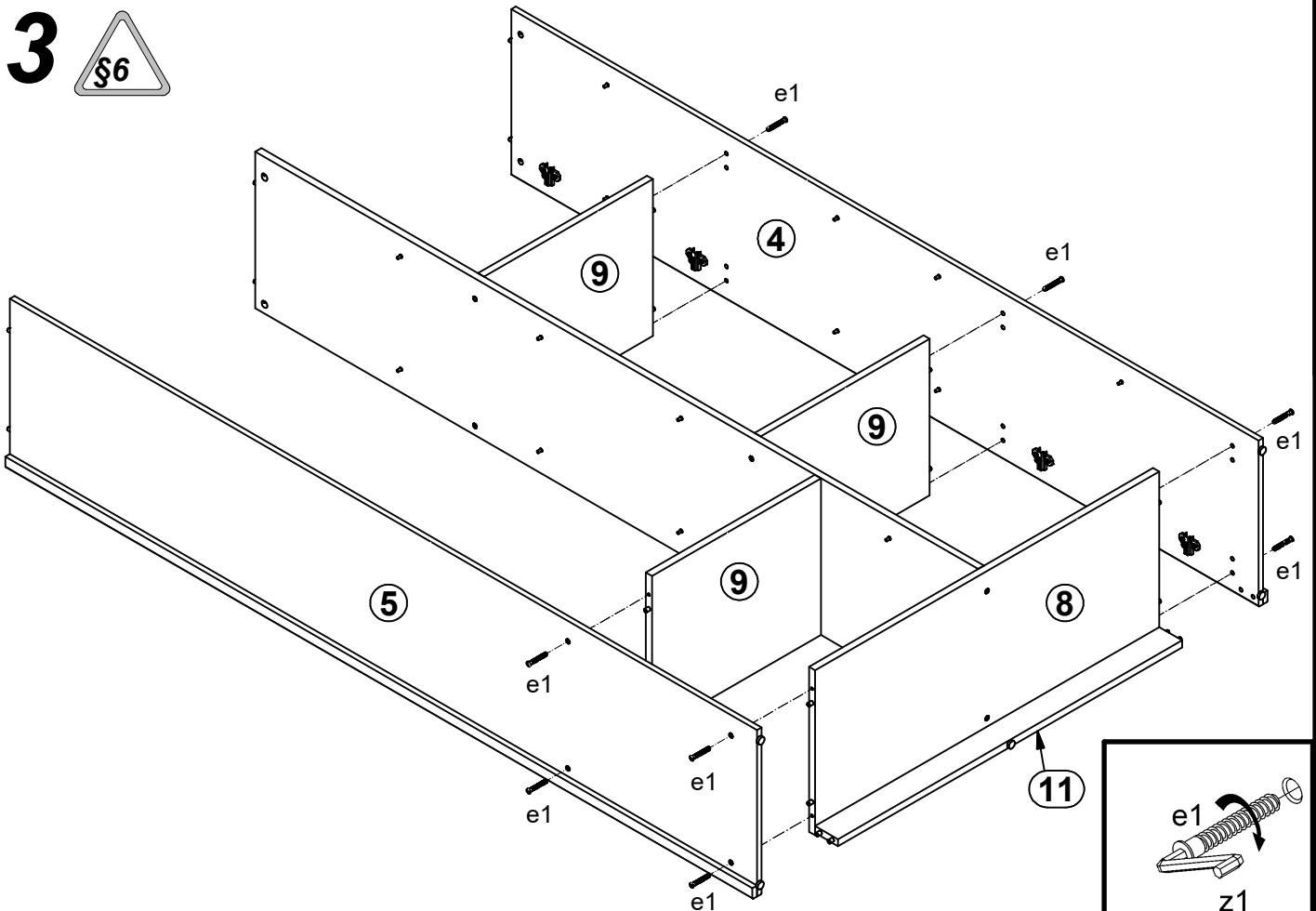
1 



2

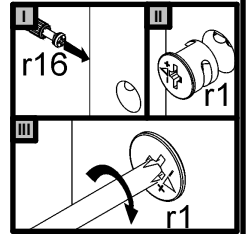
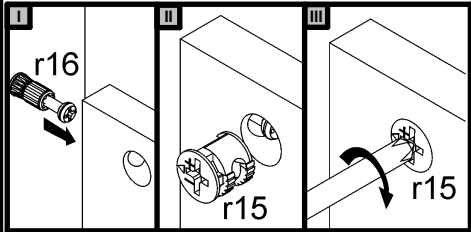
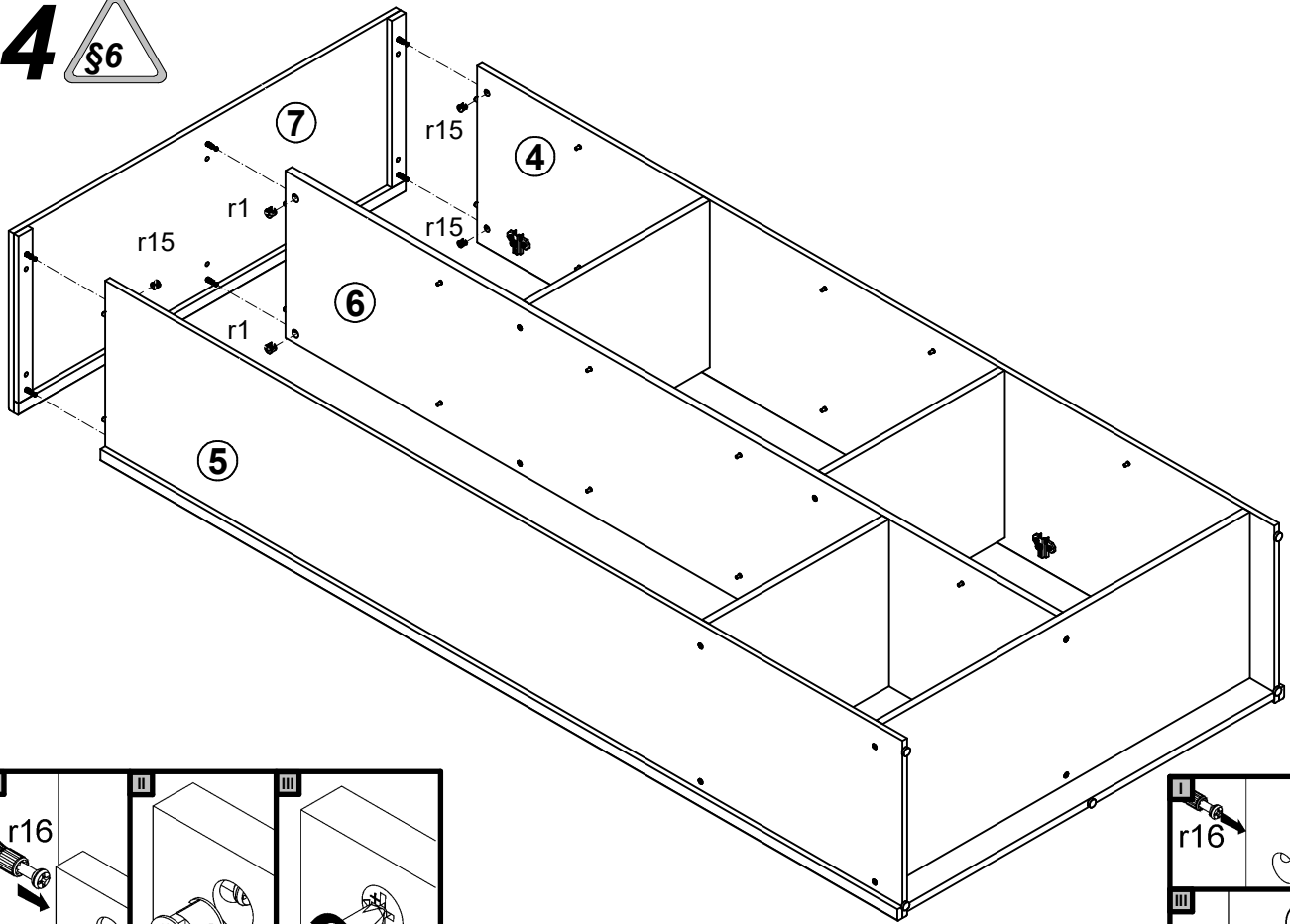


3



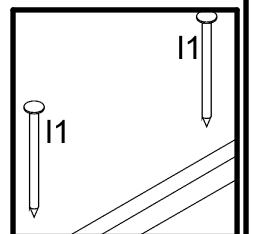
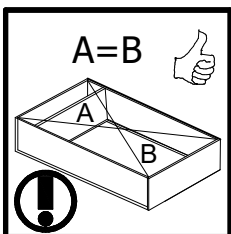
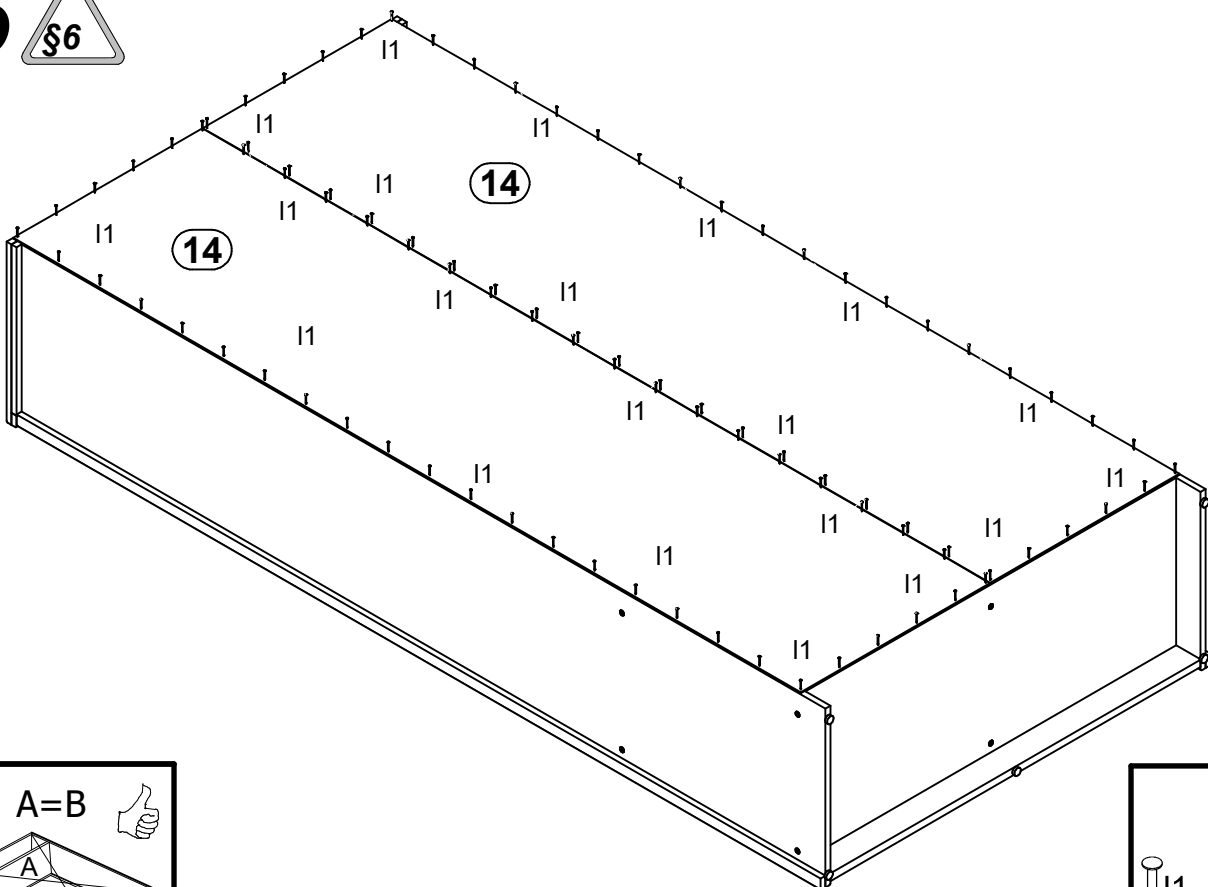
4

§6

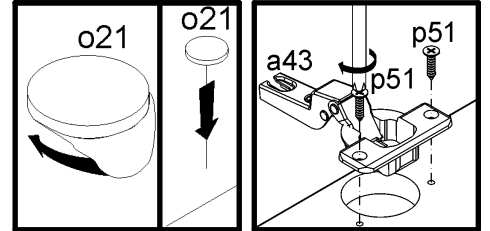
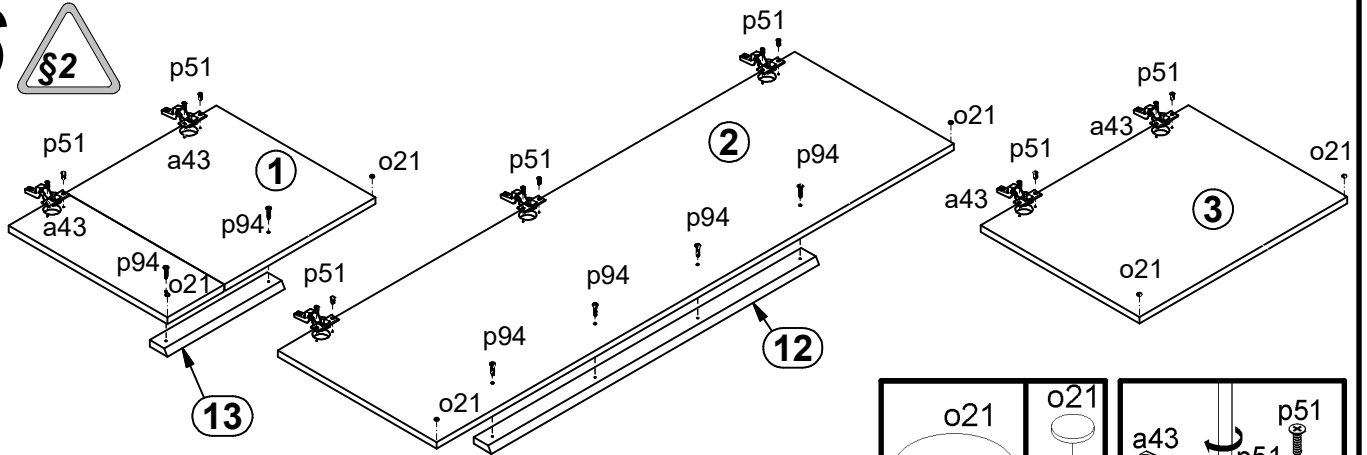


5

§6



6



7

