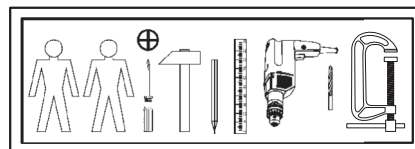


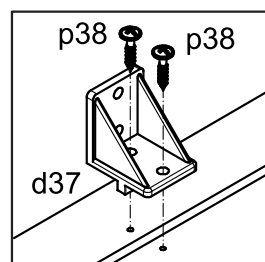
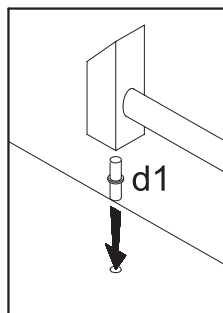
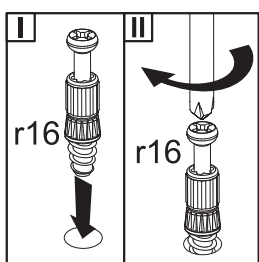
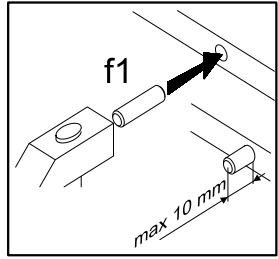
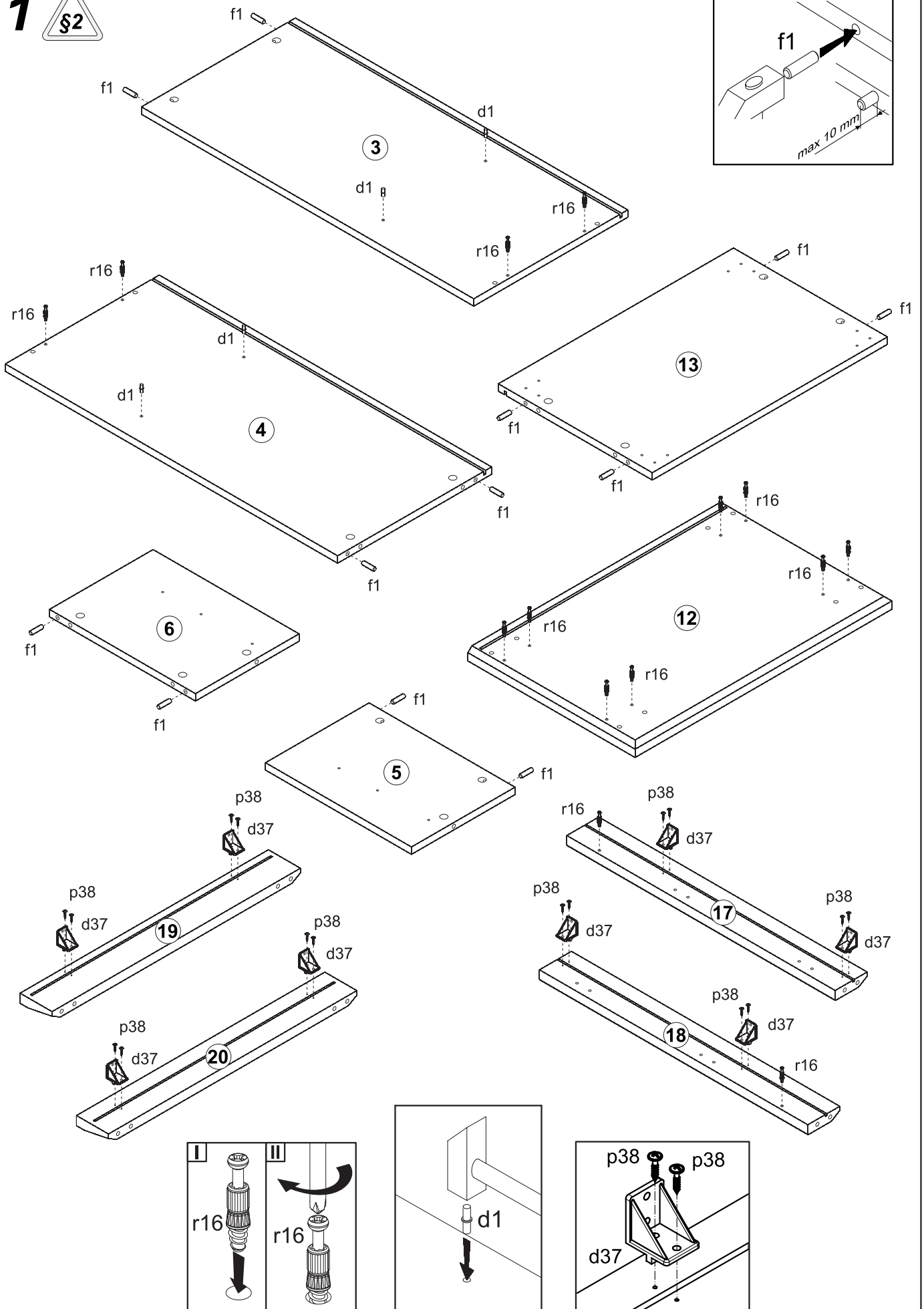
A	B	C	D	
1	S359-001	455	175	4/5
2	S359-002	484	455	4/5
3	S359-106	831	385	1/5
4	S359-107	831	385	1/5
5	S359-108	259	365	1/5
6	S359-109	259	365	1/5
7	S359-305	588	365	1/5
8	S359-551-01	350	140	1/5
9	S359-552-01	350	140	1/5
10	S359-567	404	140	1/5

A	B	C	D	
11	S359-912	349	419	1/5
12	S359-203	642	418	2/5
13	S359-304	588	385	2/5
14	S359-914	414	602	2/5
15	S359-915	414	602	2/5
16	LH-587	587	14	2/5
17	S359-5007	671	80	3/5
18	S359-5010	671	80	3/5
19	S359-5059	621	80	3/5
20	S359-5051	621	80	3/5

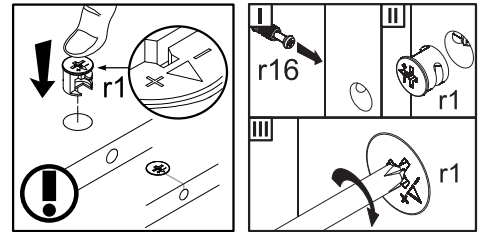
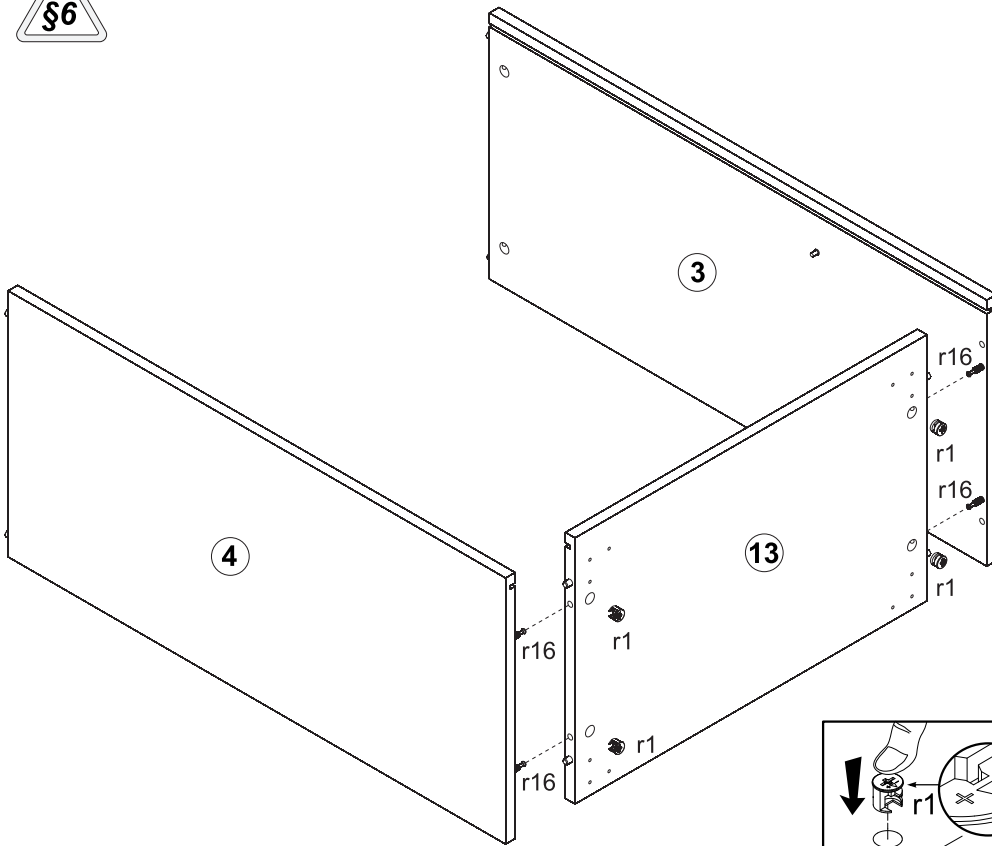


2x  a132	1x  a133	2x  b43	2x  M4 c415	4x  φ5x17 mm d1	8x  d37	4x  φ6,3x13 mm e2
6x  φ6x13 mm e3	4x  φ5x50 mm e32	12x  φ5x18 mm e58	20x  φ8x30 mm f1	2x  M4x22 mm j30	4x  k125	6x  l2
1x  n26\1	33x  φ3,5x16 mm p38	4x  φ3,5x15 mm p51	6x  φ3,5x12 mm p140	18x  φ15x12 mm #16 r1	18x  20/9 r16	6x  ø16 s2
1x  ø5 s4	2x  350 mm w207 <sup>1</sup>	2x  350 mm w207 <sup>2</sup>	 1x			

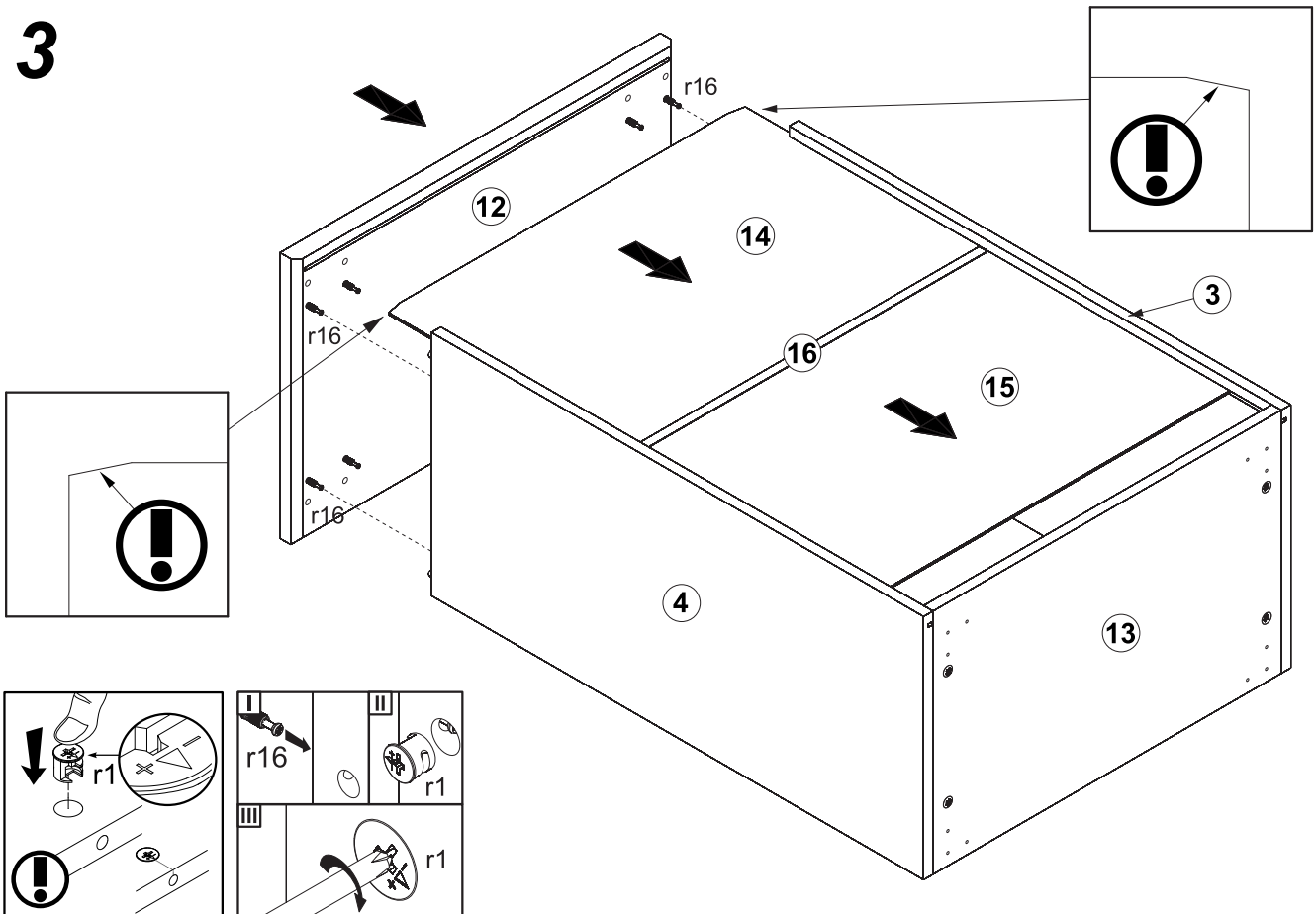
1



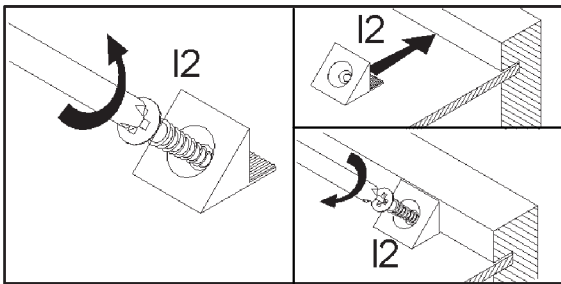
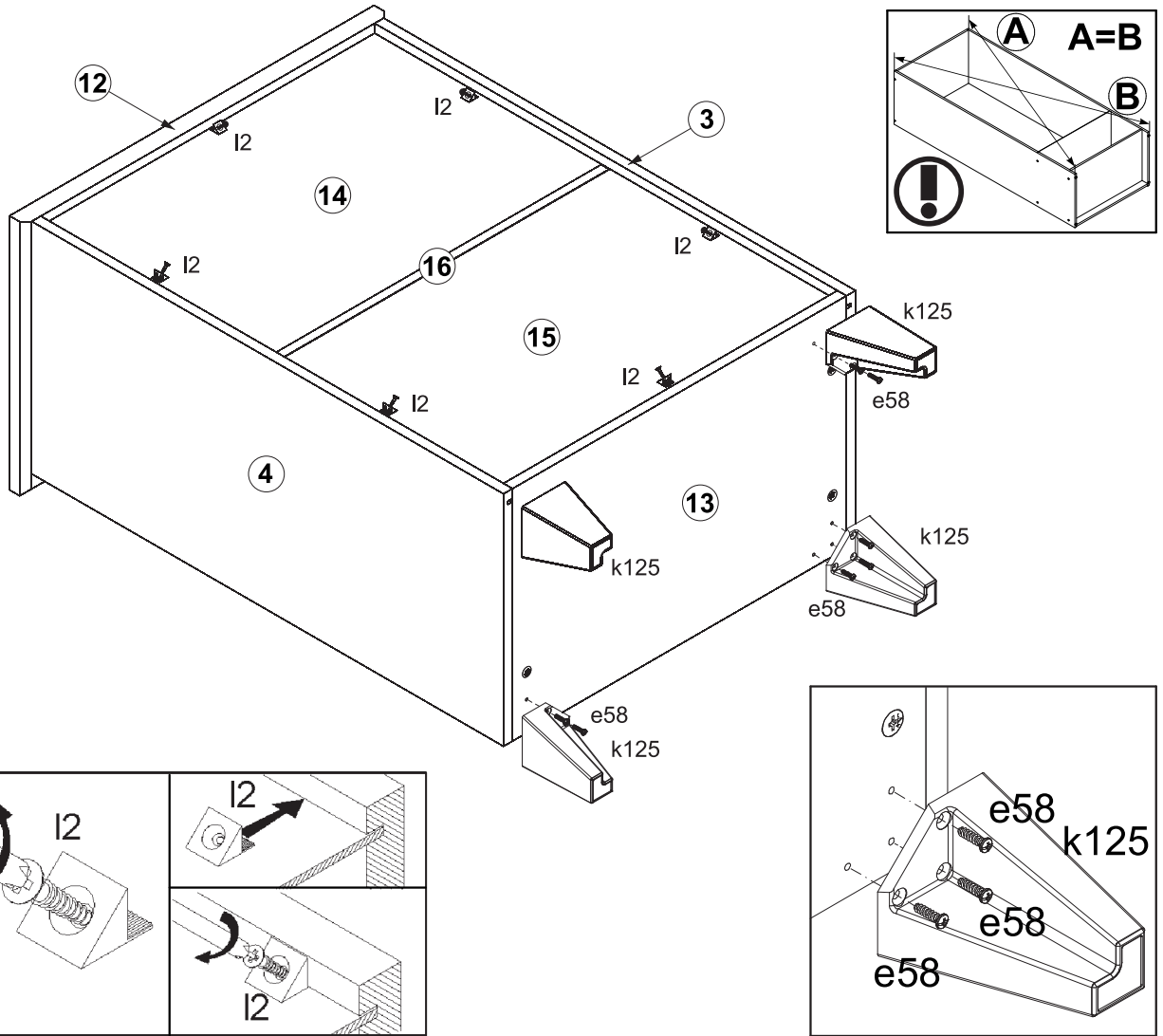
2 



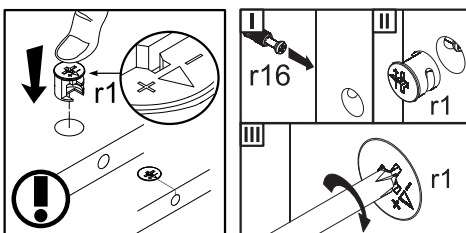
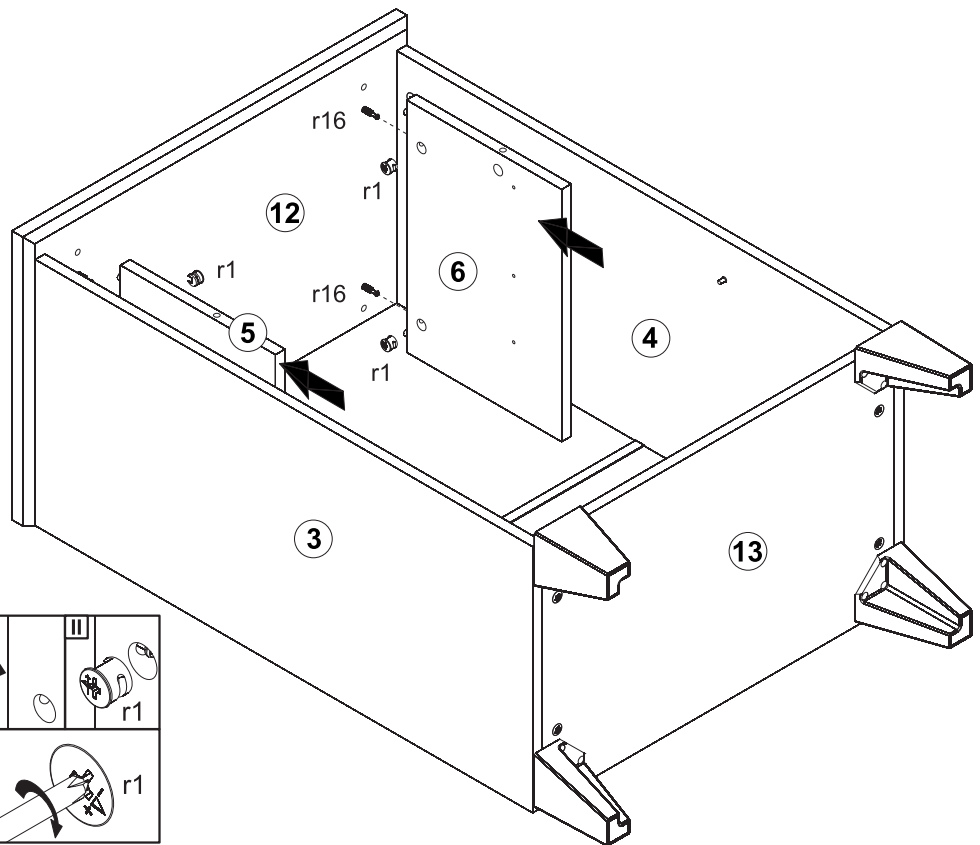
3



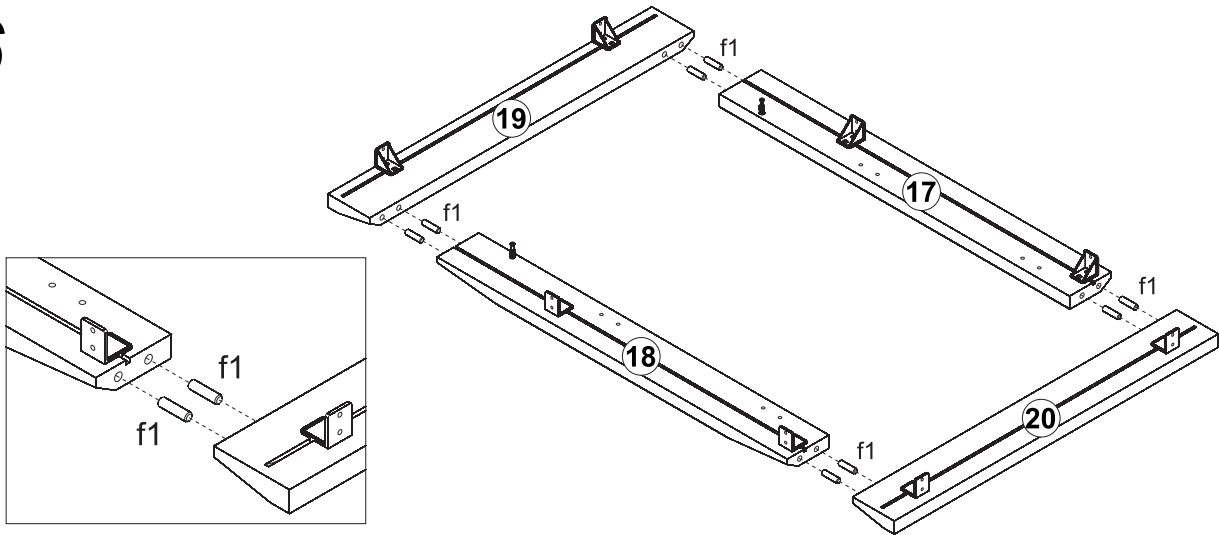
# 4



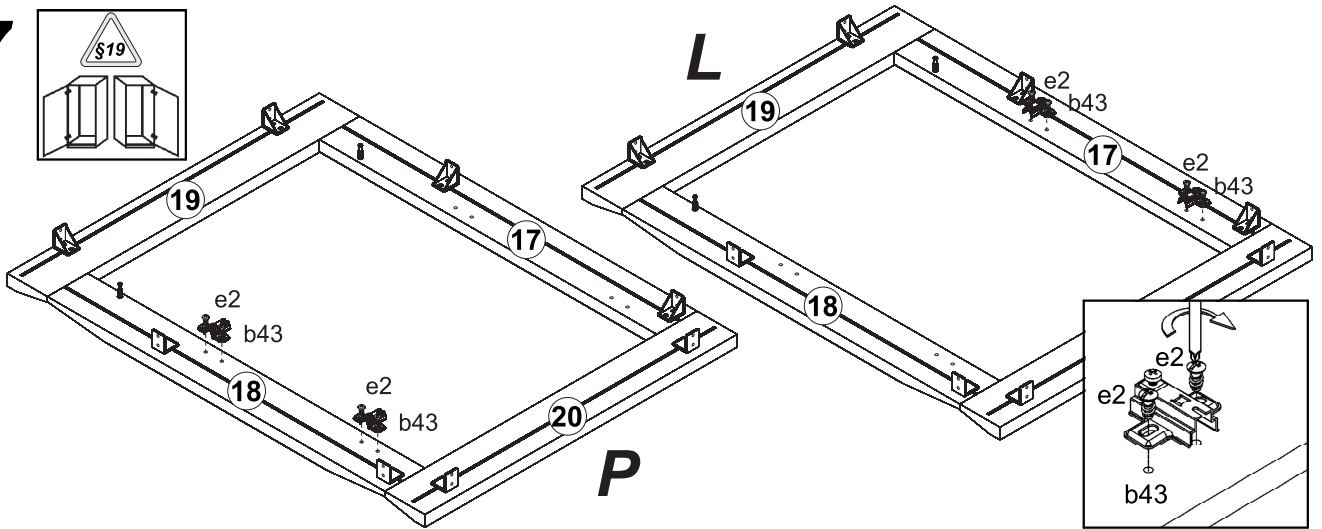
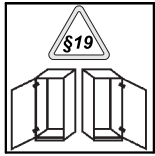
# 5



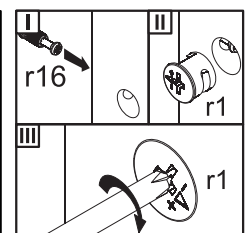
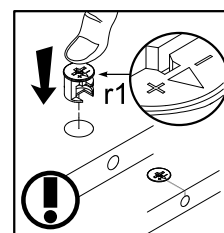
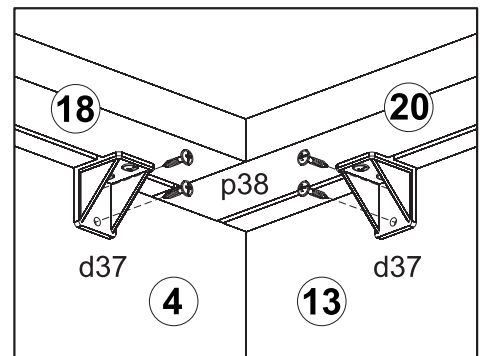
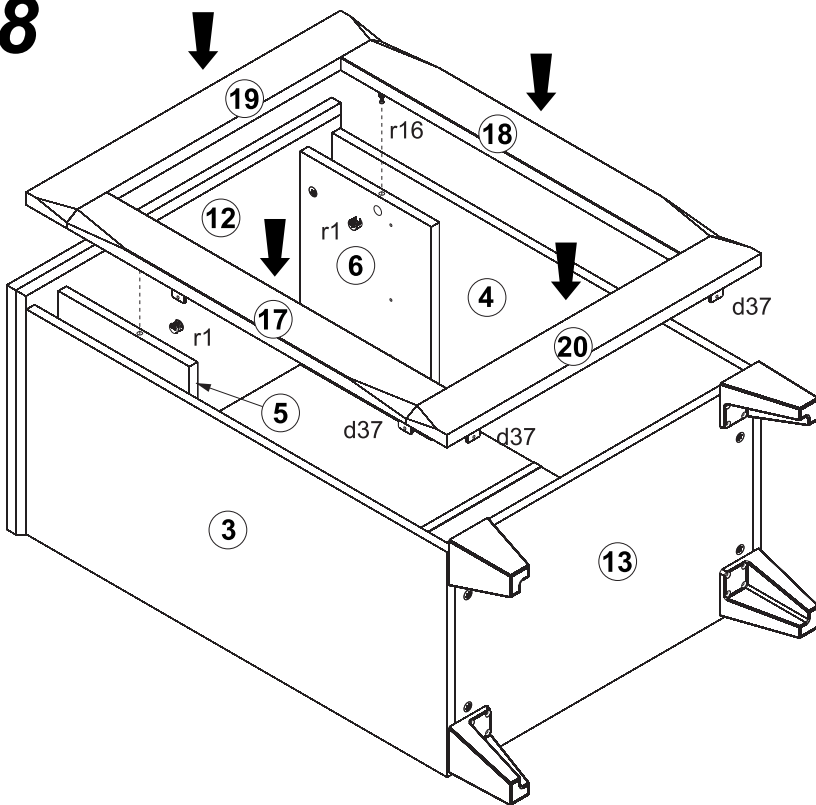
# 6



# 7

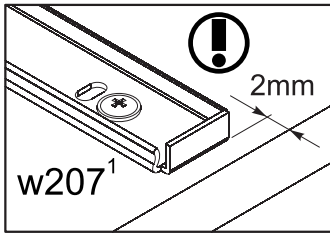
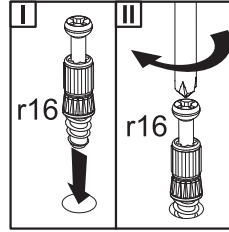
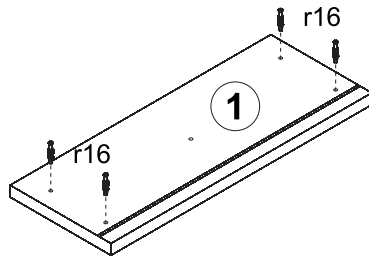


# 8

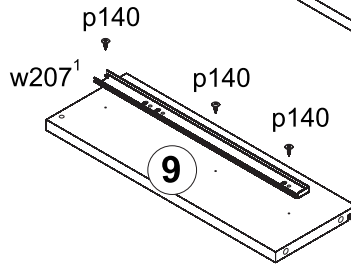
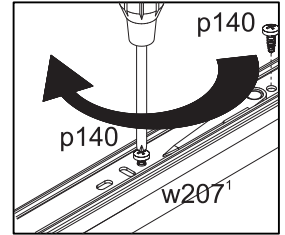
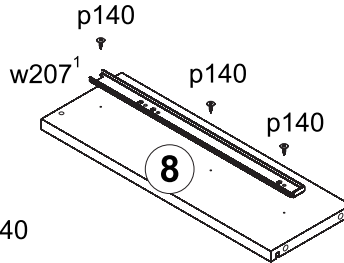


# 9

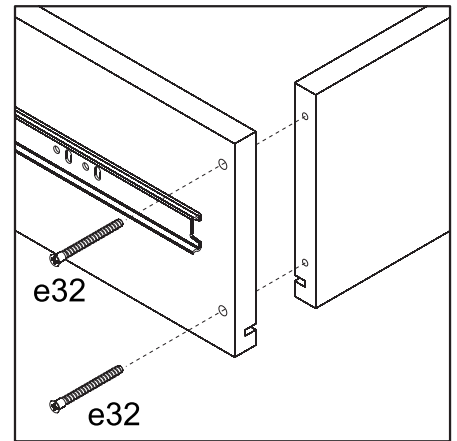
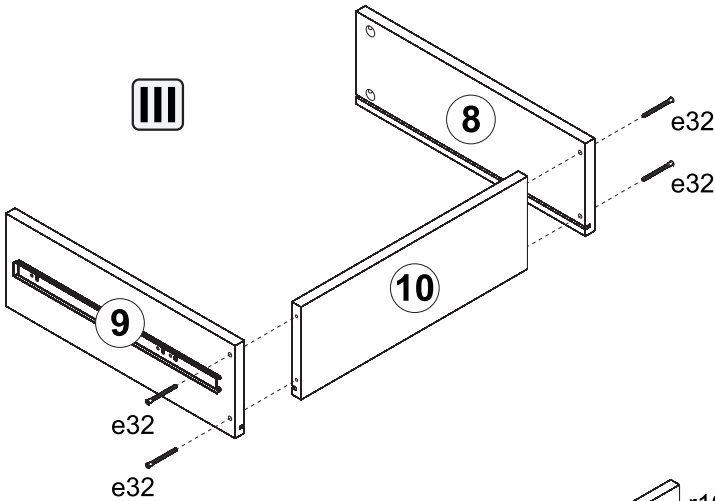
I



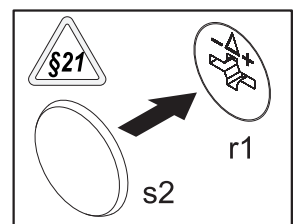
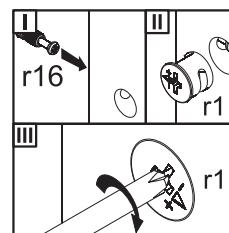
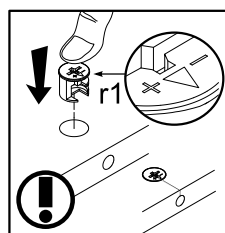
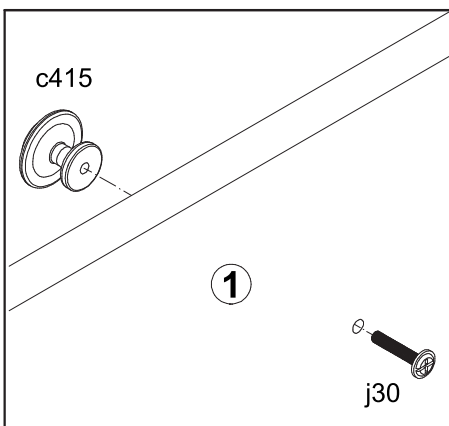
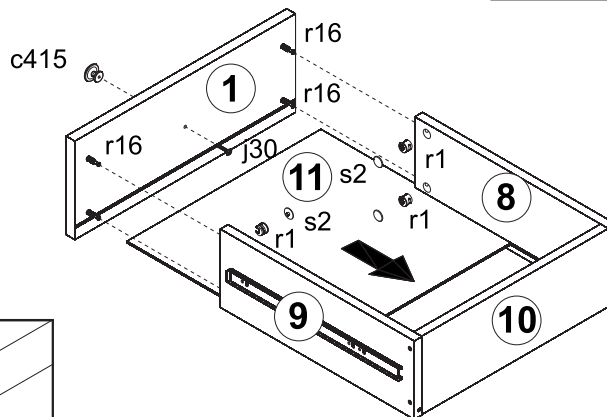
II



III

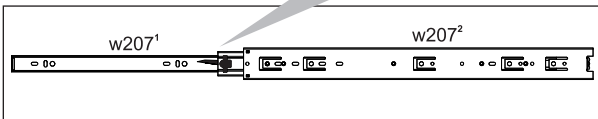
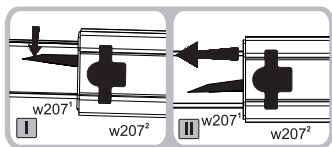
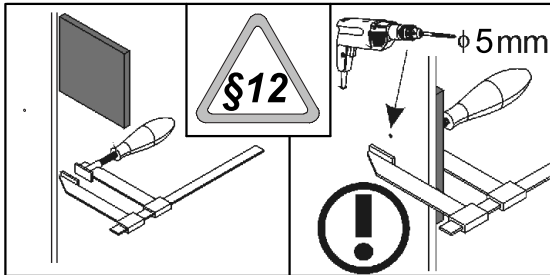
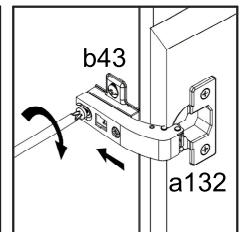
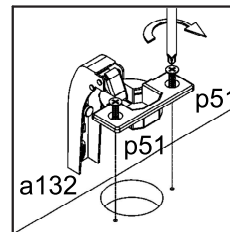
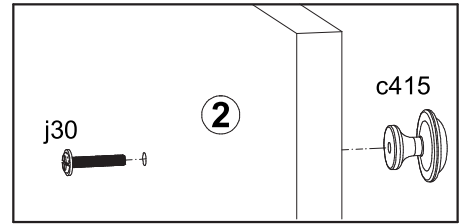
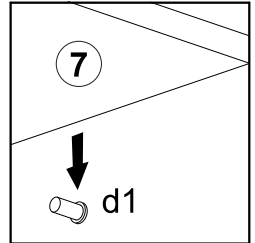
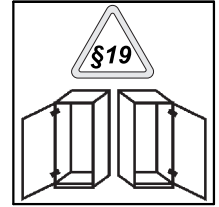
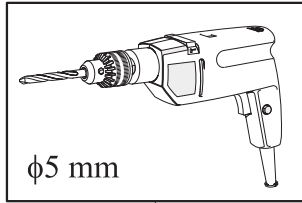
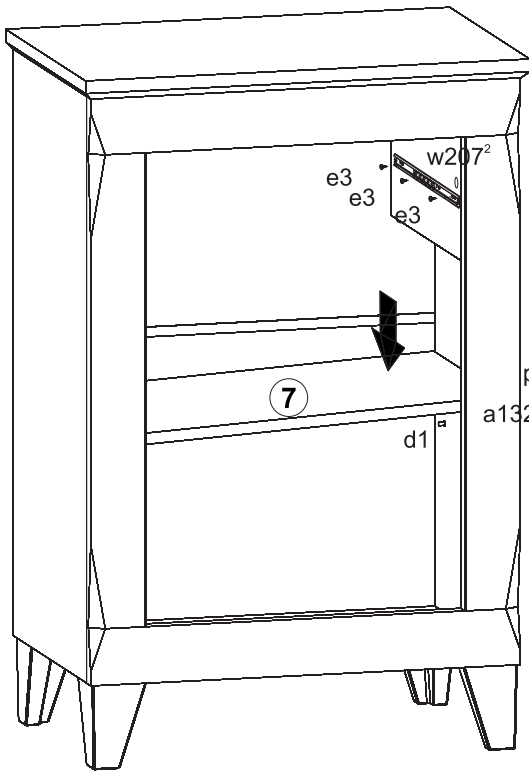


IV

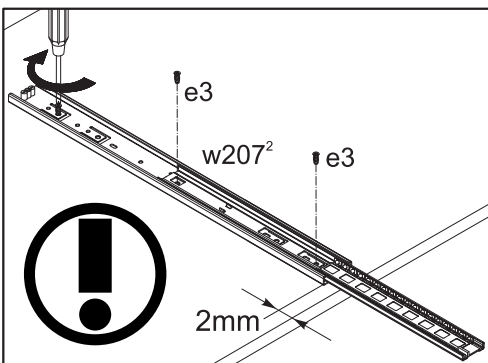
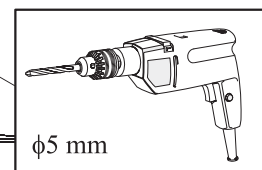
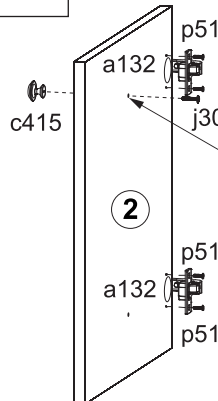
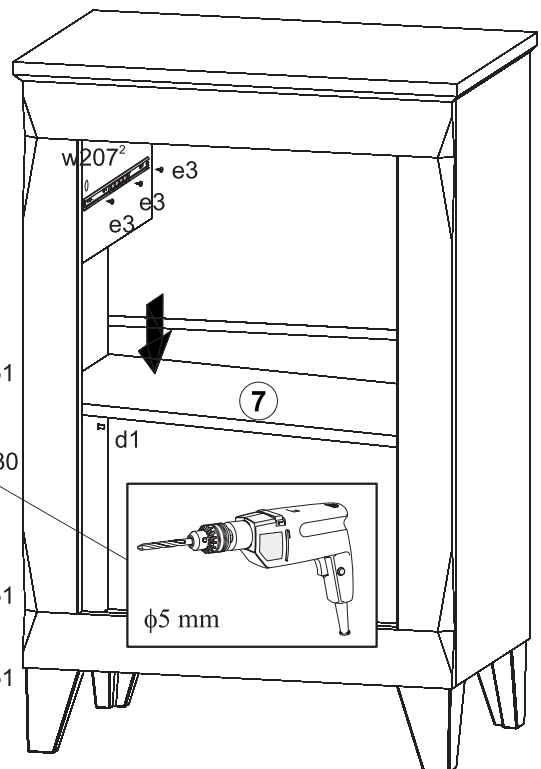


# 10

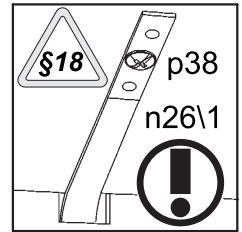
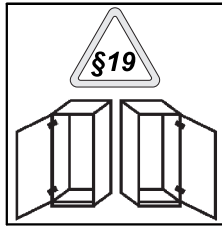
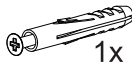
## P



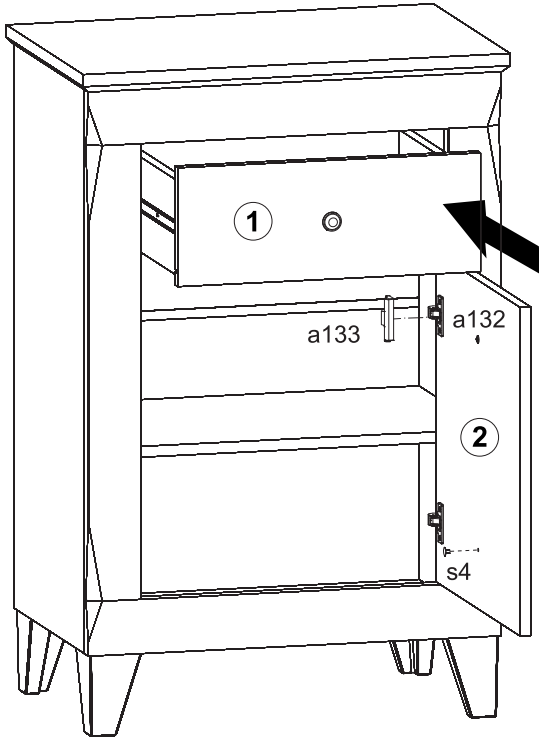
## L



# 11



## P



## L

