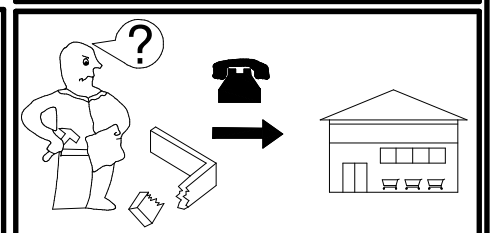
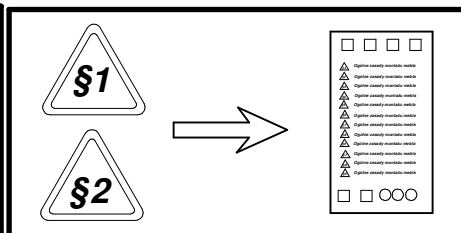
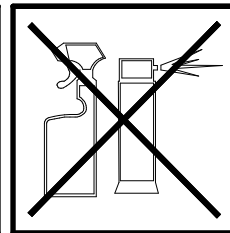
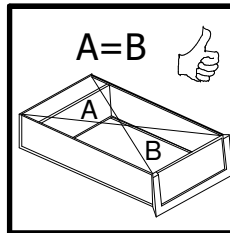
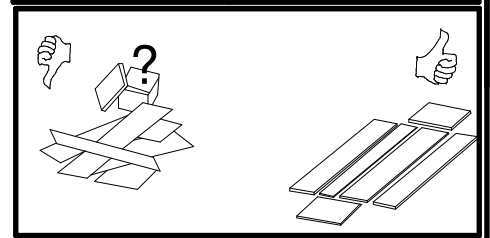
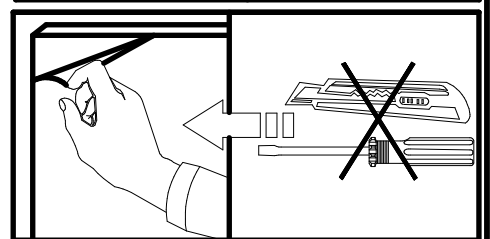
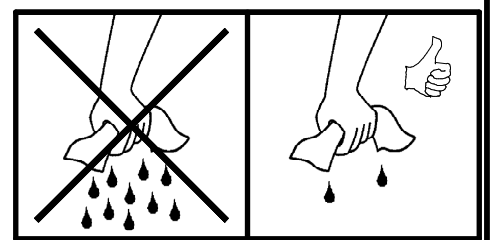
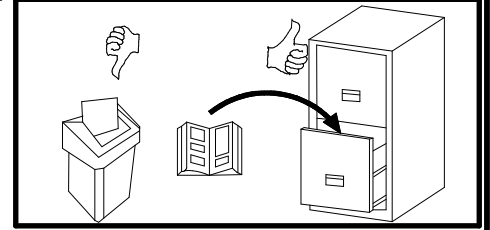
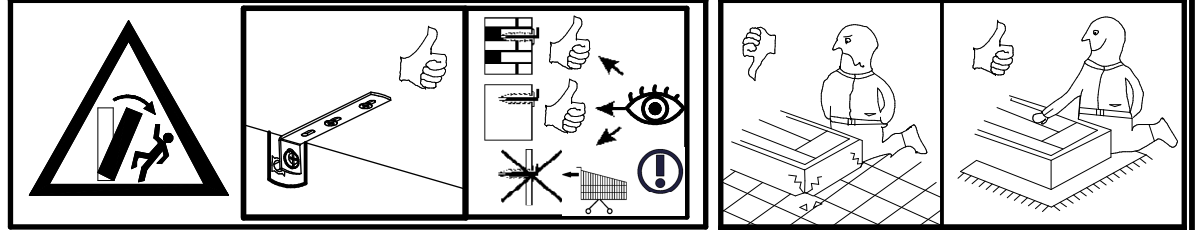
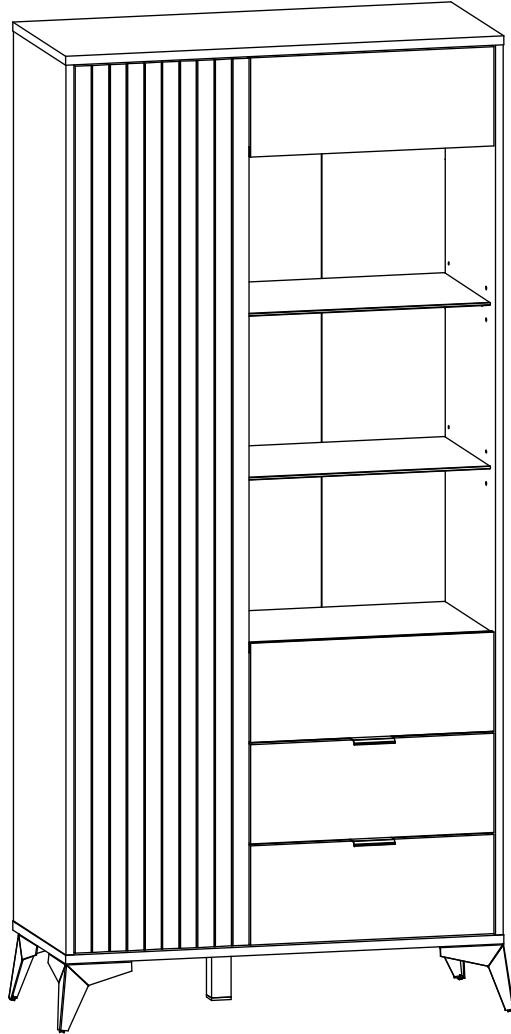
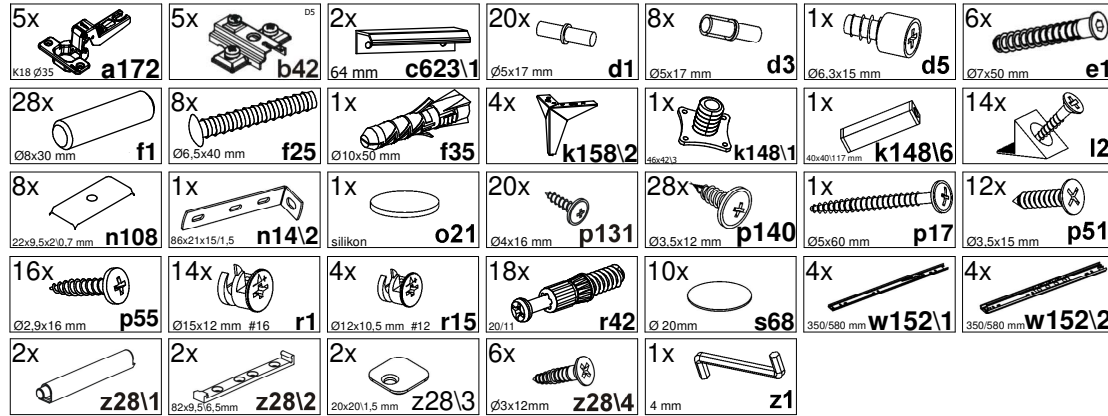
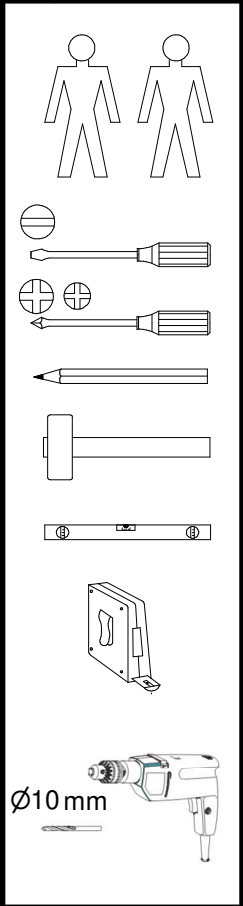


A

S632-REG1D1W2S

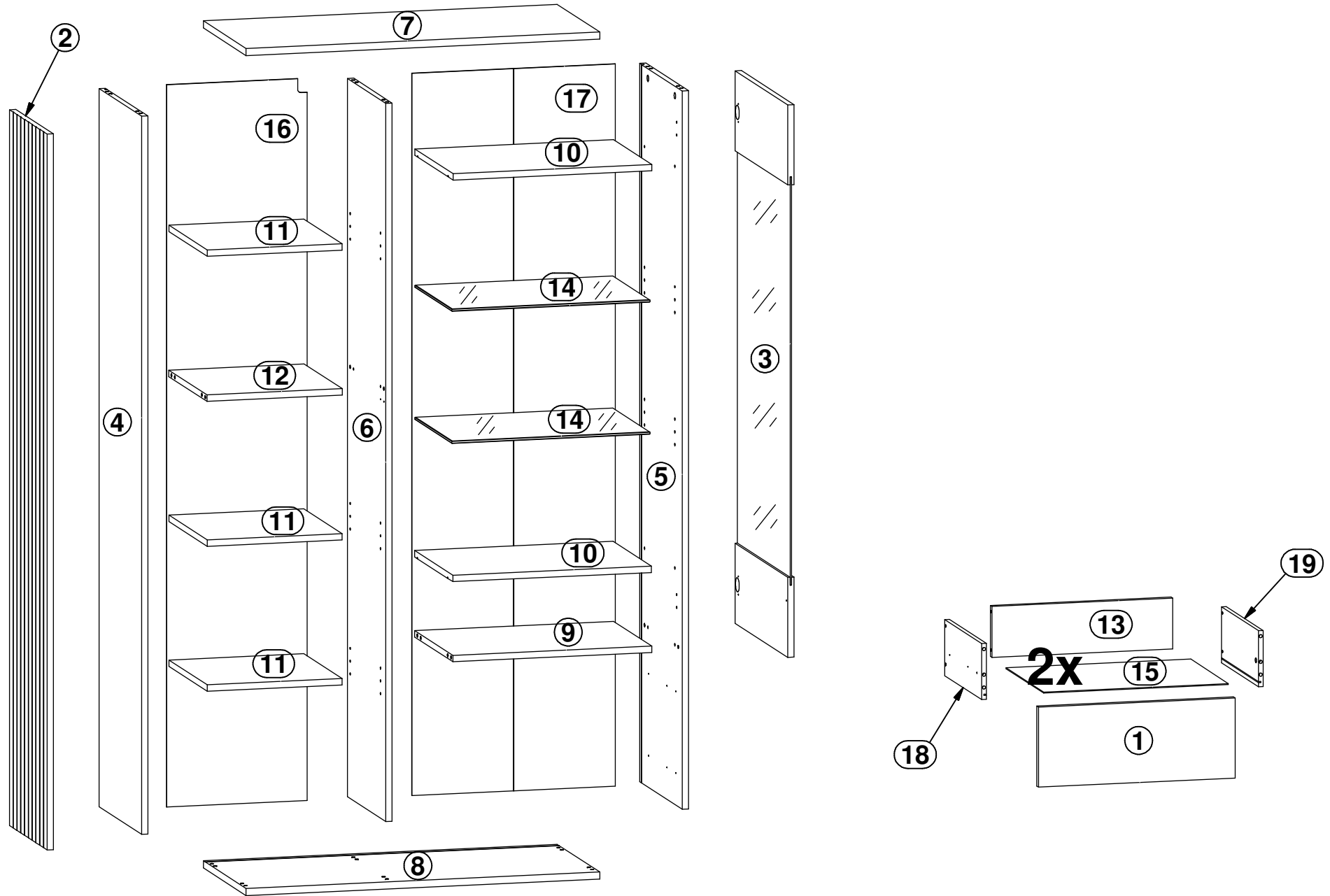
LAMEA

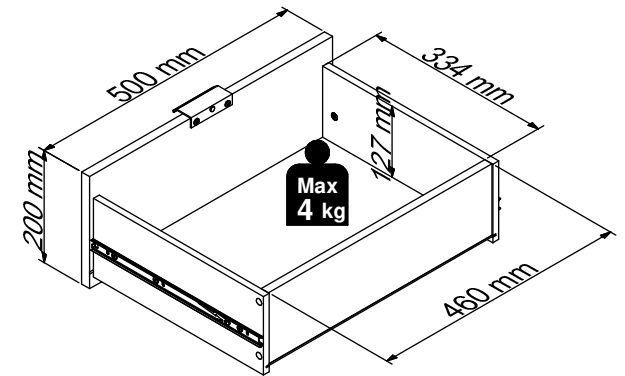
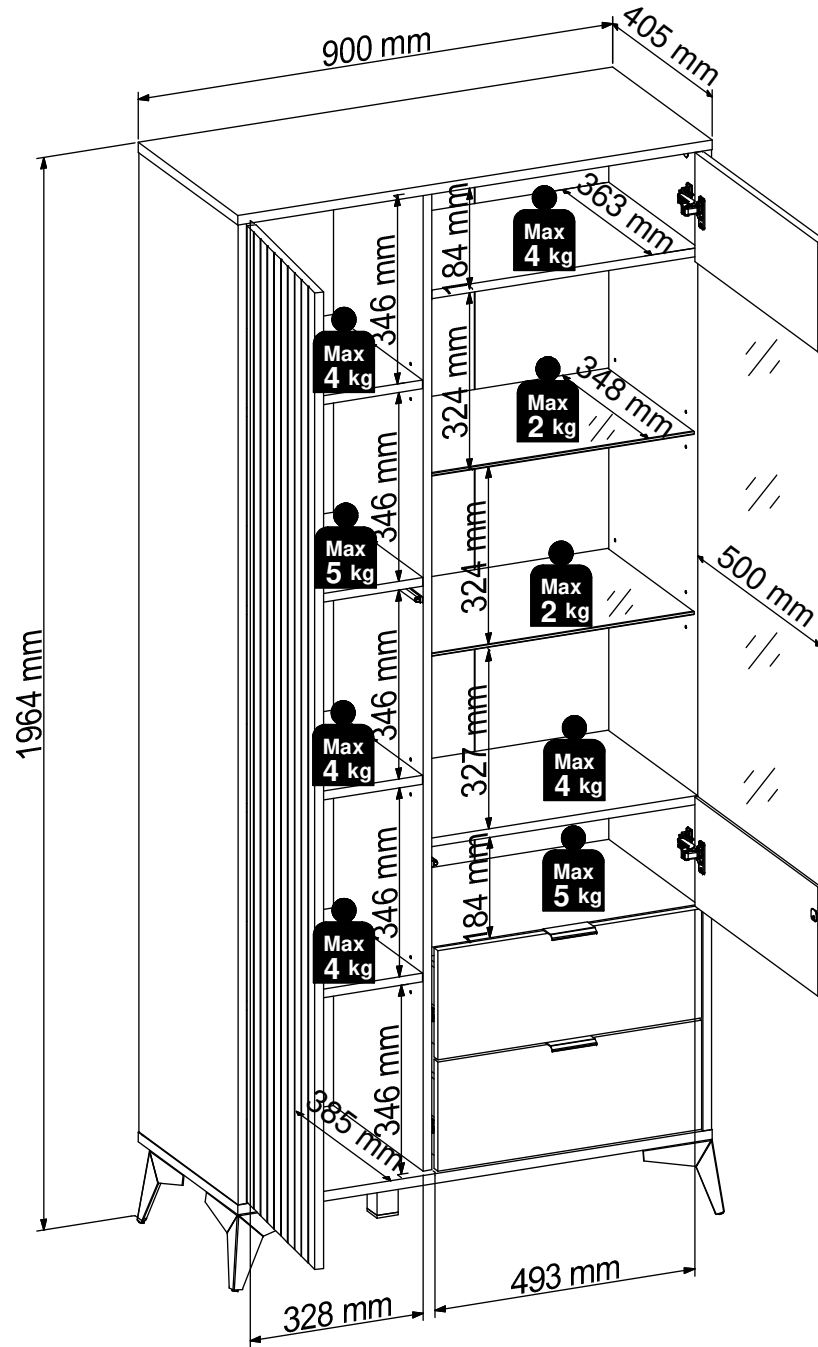


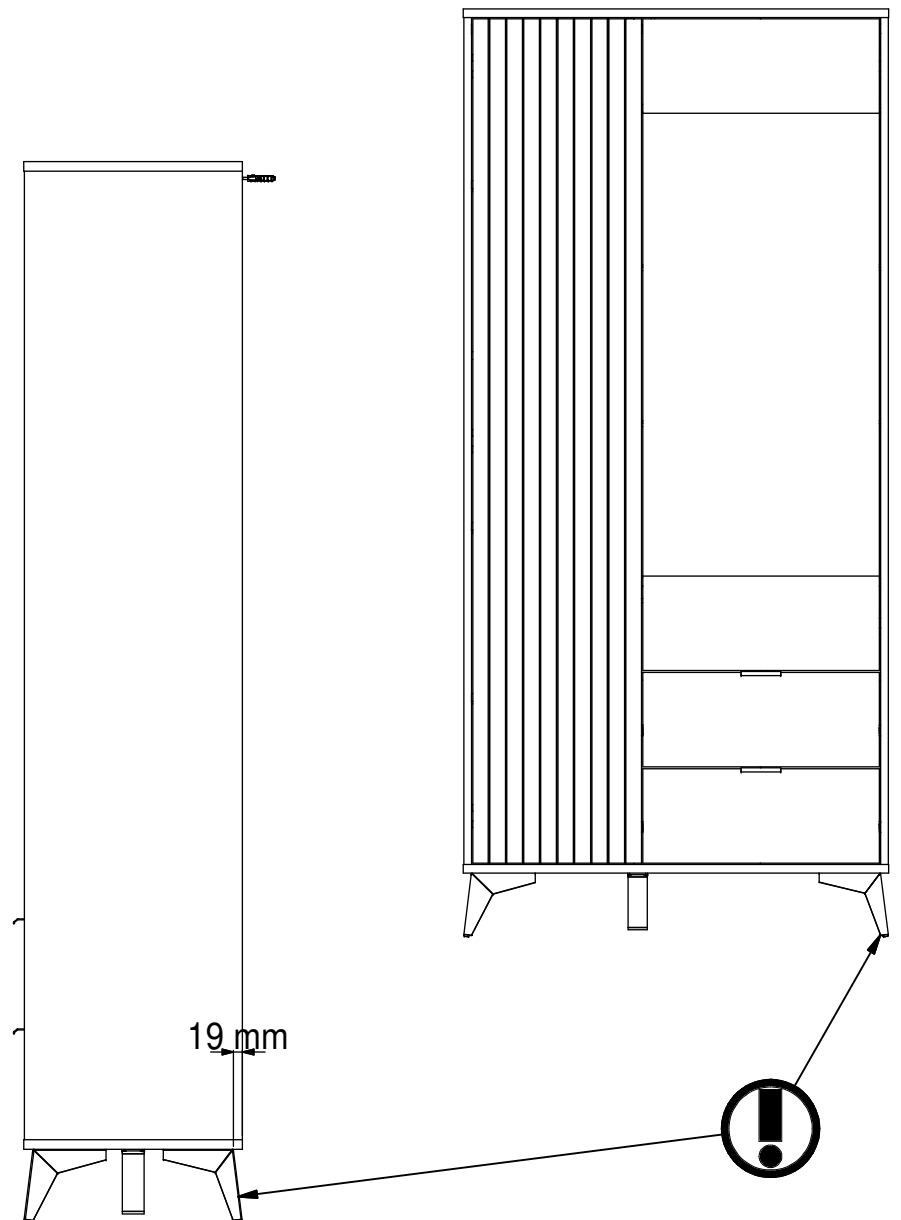
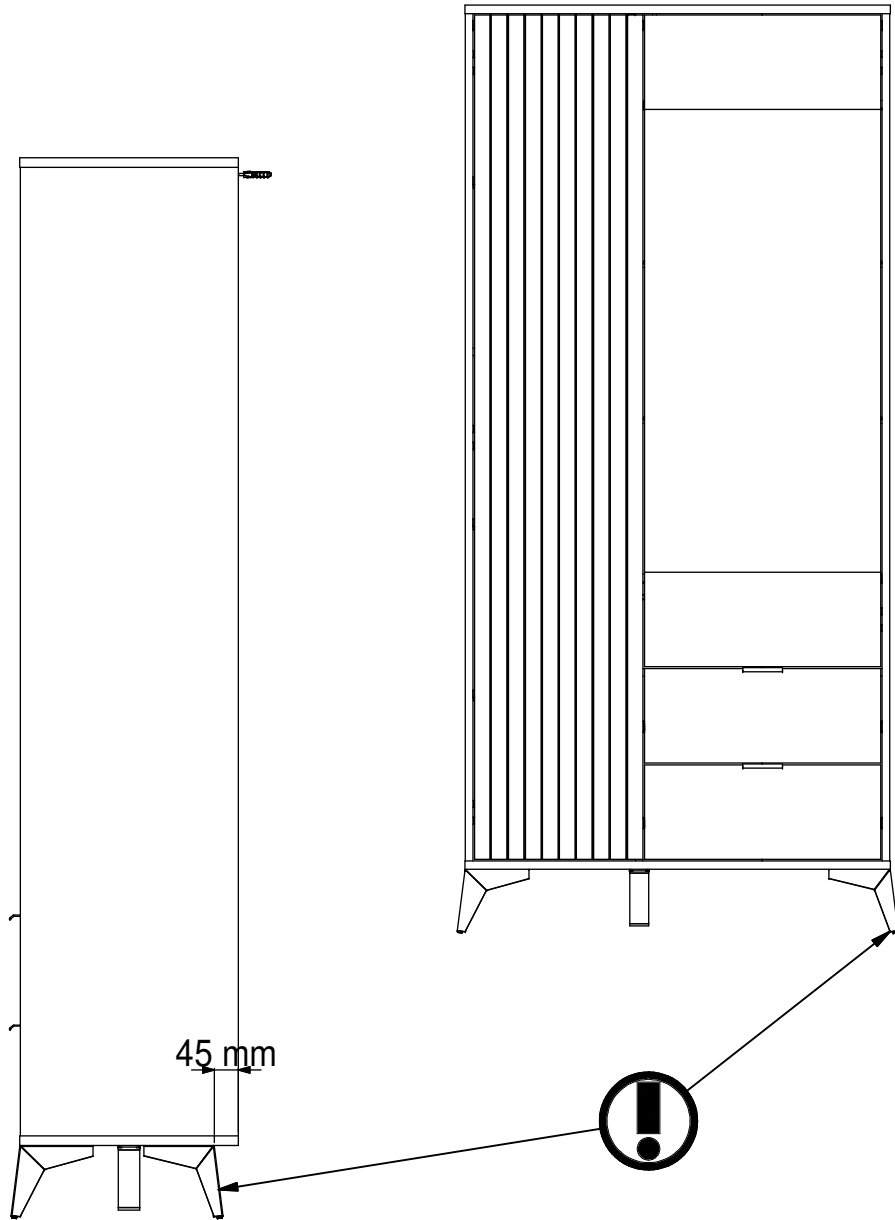


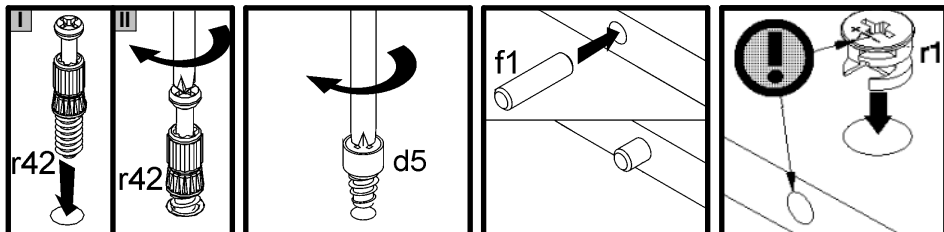
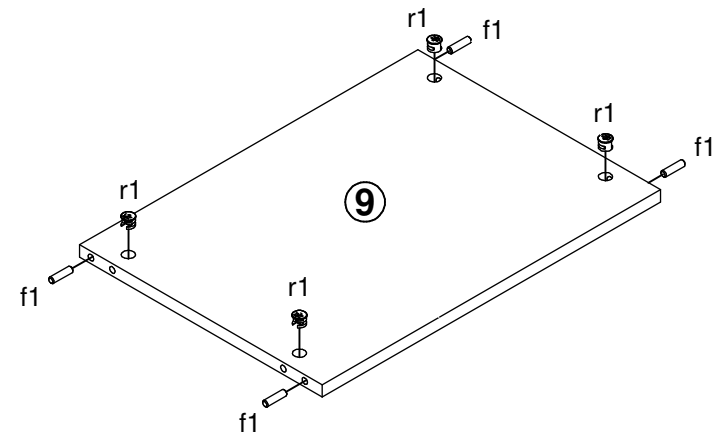
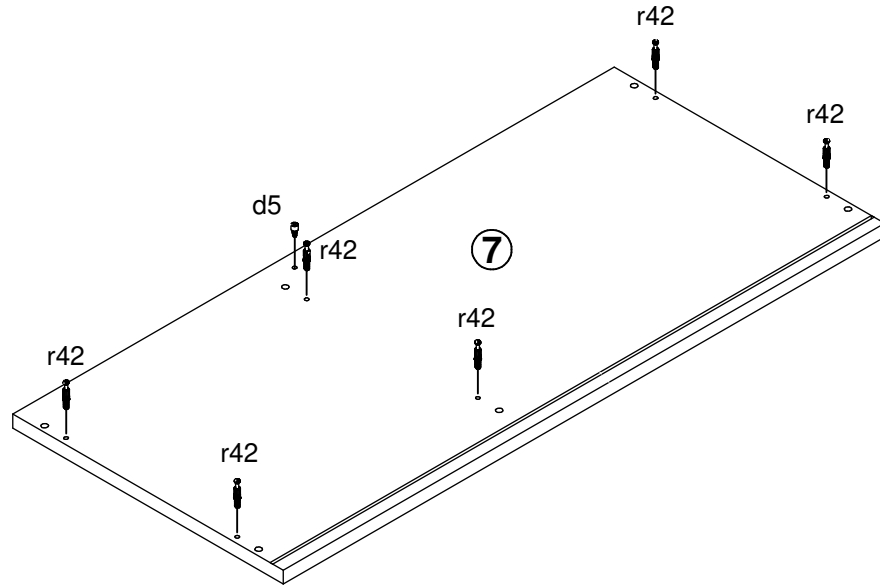
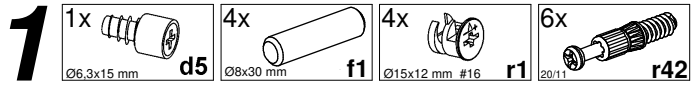
| A | B1 | B2 | C1 | C2 | C3 | D |
|----|-----------|----|------|------|-----|-----|
| 1 | S632-0012 | -1 | 500 | 200 | 16 | 3/4 |
| 2 | S632-0014 | -1 | 1788 | 357 | 16 | 3/4 |
| 3 | S632-0015 | -2 | 500 | 1380 | 16 | 3/4 |
| 4 | S632-1026 | -1 | 1794 | 404 | 16 | 2/4 |
| 5 | S632-1027 | -1 | 1794 | 404 | 16 | 2/4 |
| 6 | S632-1028 | -1 | 1794 | 365 | 16 | 3/4 |
| 7 | S632-2012 | -2 | 900 | 405 | 18 | 2/4 |
| 8 | S632-2013 | -1 | 900 | 405 | 18 | 2/4 |
| 9 | S632-3008 | -1 | 506 | 363 | 16 | 1/4 |
| 10 | S632-3009 | -1 | 505 | 363 | 16 | 1/4 |
| 11 | S632-3010 | -1 | 343 | 363 | 16 | 1/4 |
| 12 | S632-3011 | -1 | 344 | 363 | 16 | 1/4 |
| 13 | S632-5006 | -1 | 460 | 127 | 15 | 1/4 |
| 14 | S632-5502 | -2 | 504 | 350 | 6 | 1/4 |
| 15 | S632-9008 | -1 | 470 | 357 | 2,5 | 1/4 |
| 16 | S632-9009 | -2 | 1804 | 357 | 2,5 | 2/4 |
| 17 | S632-9306 | -2 | 1804 | 517 | 2,5 | 2/4 |
| 18 | WSK3-5005 | -5 | 350 | 140 | 12 | 1/4 |
| 19 | WSK3-5006 | -5 | 350 | 140 | 12 | 1/4 |


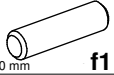




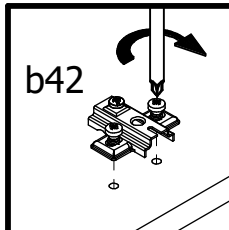
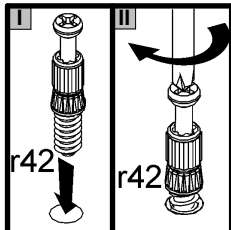
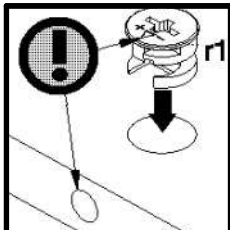
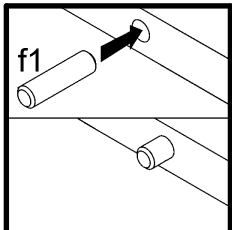
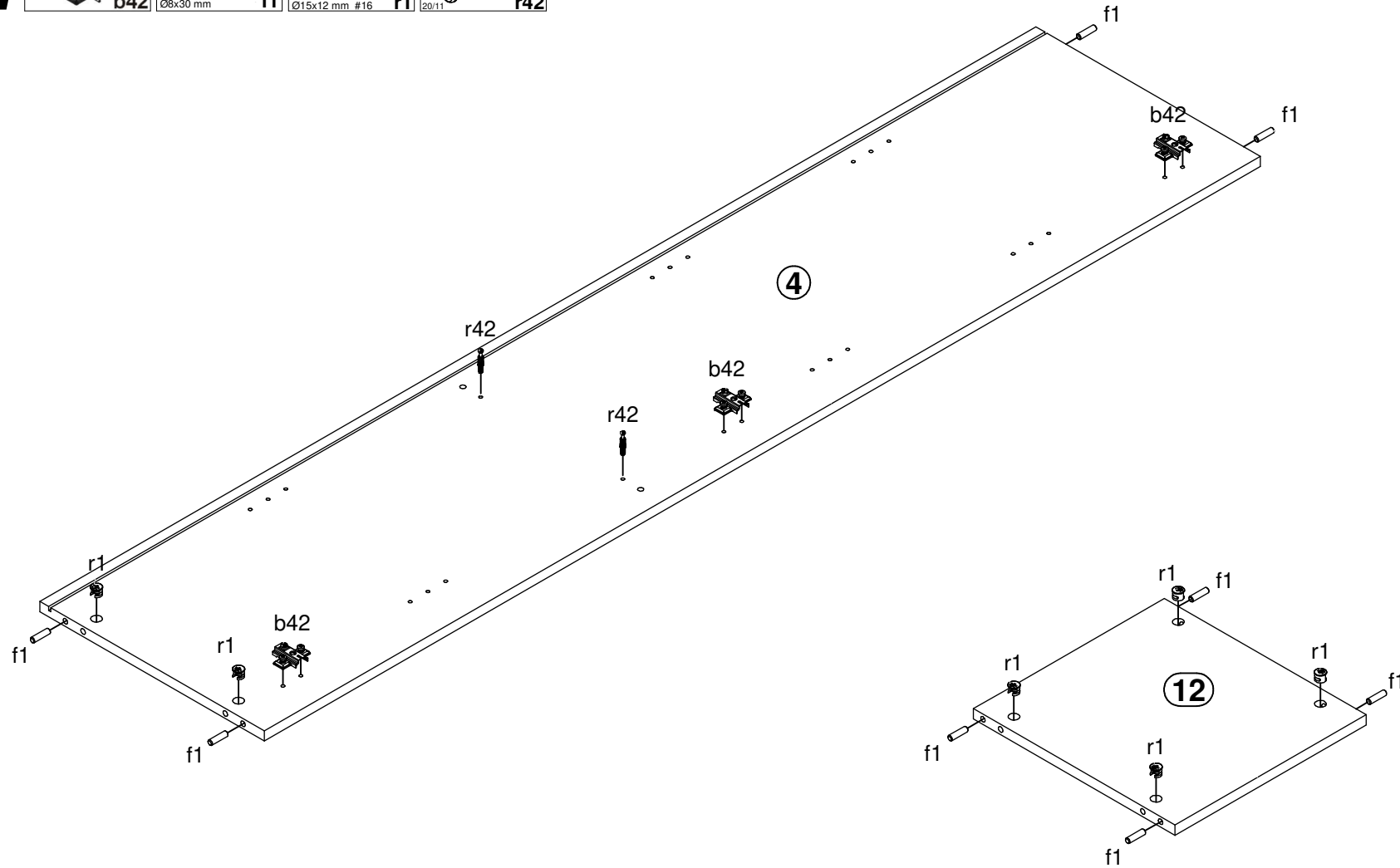



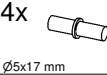
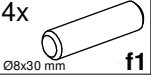


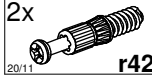



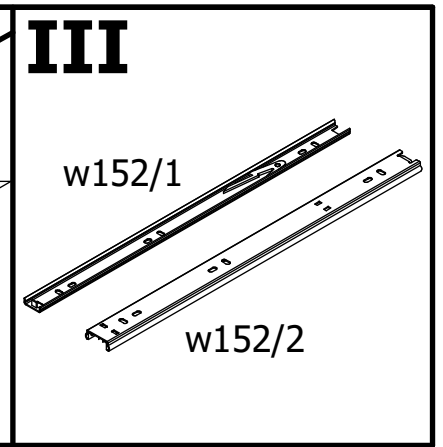
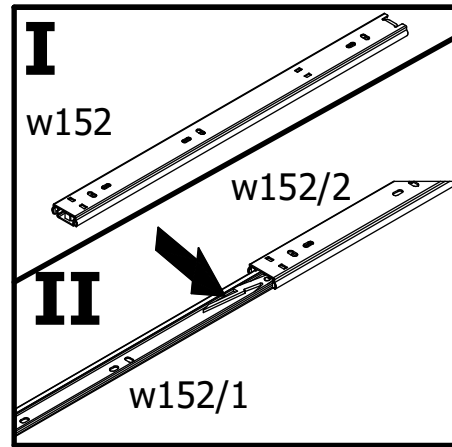
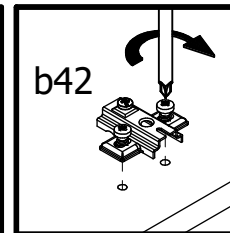
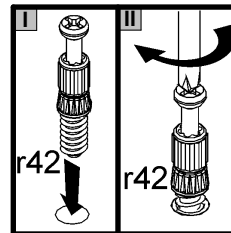
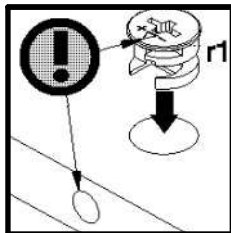
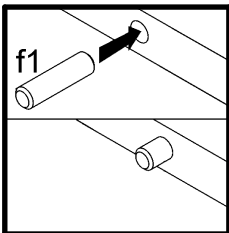
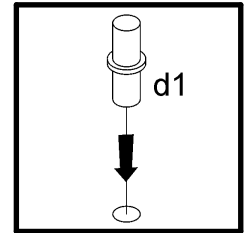
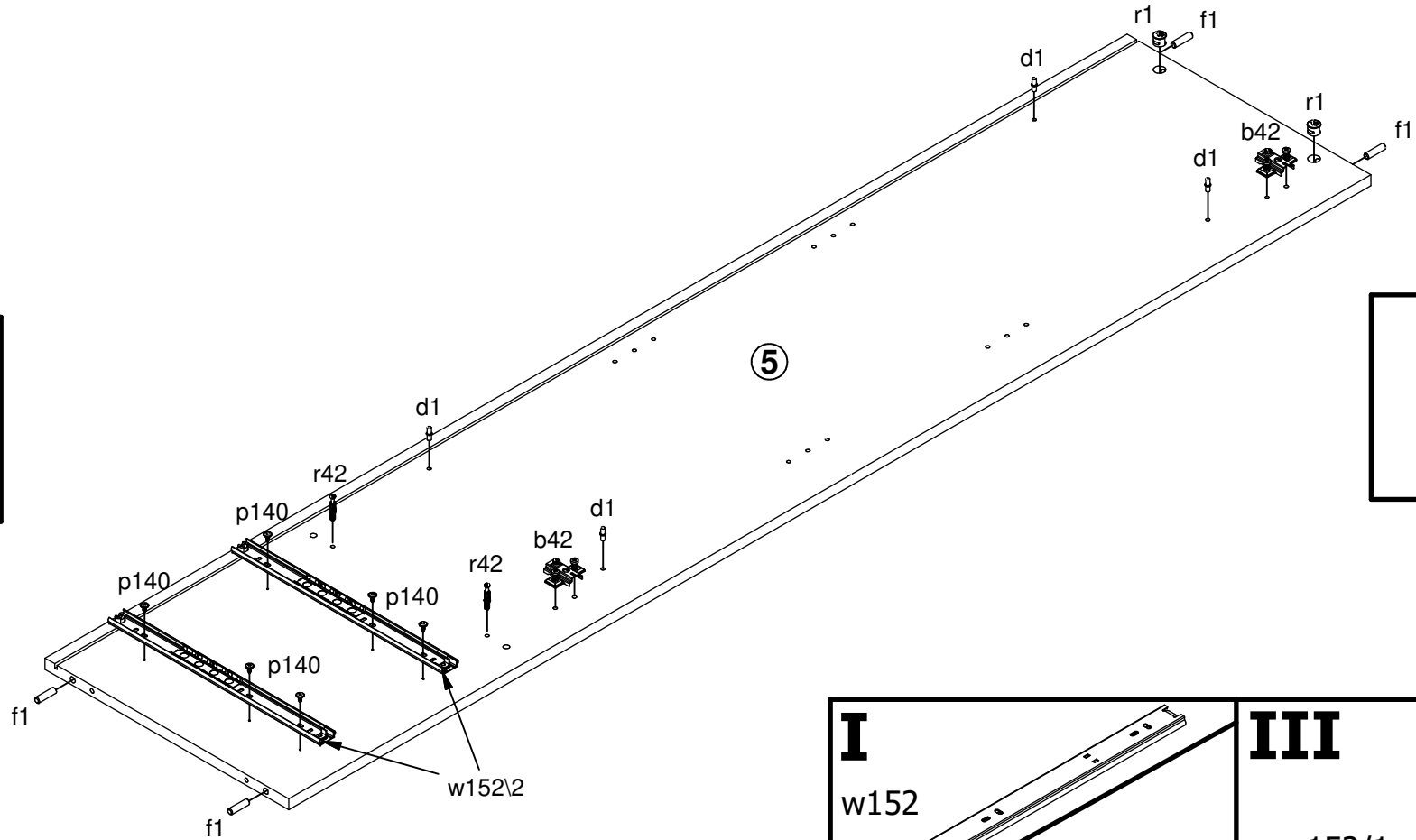
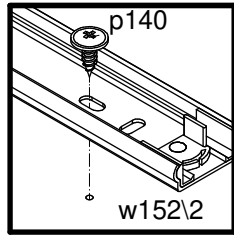




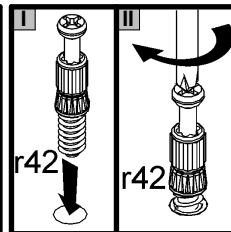
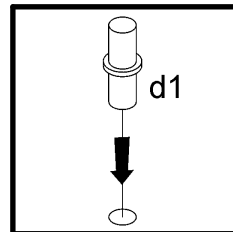
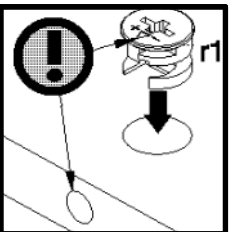
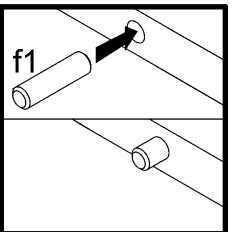
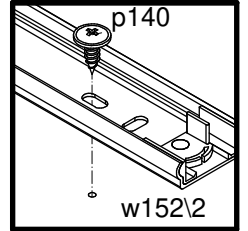
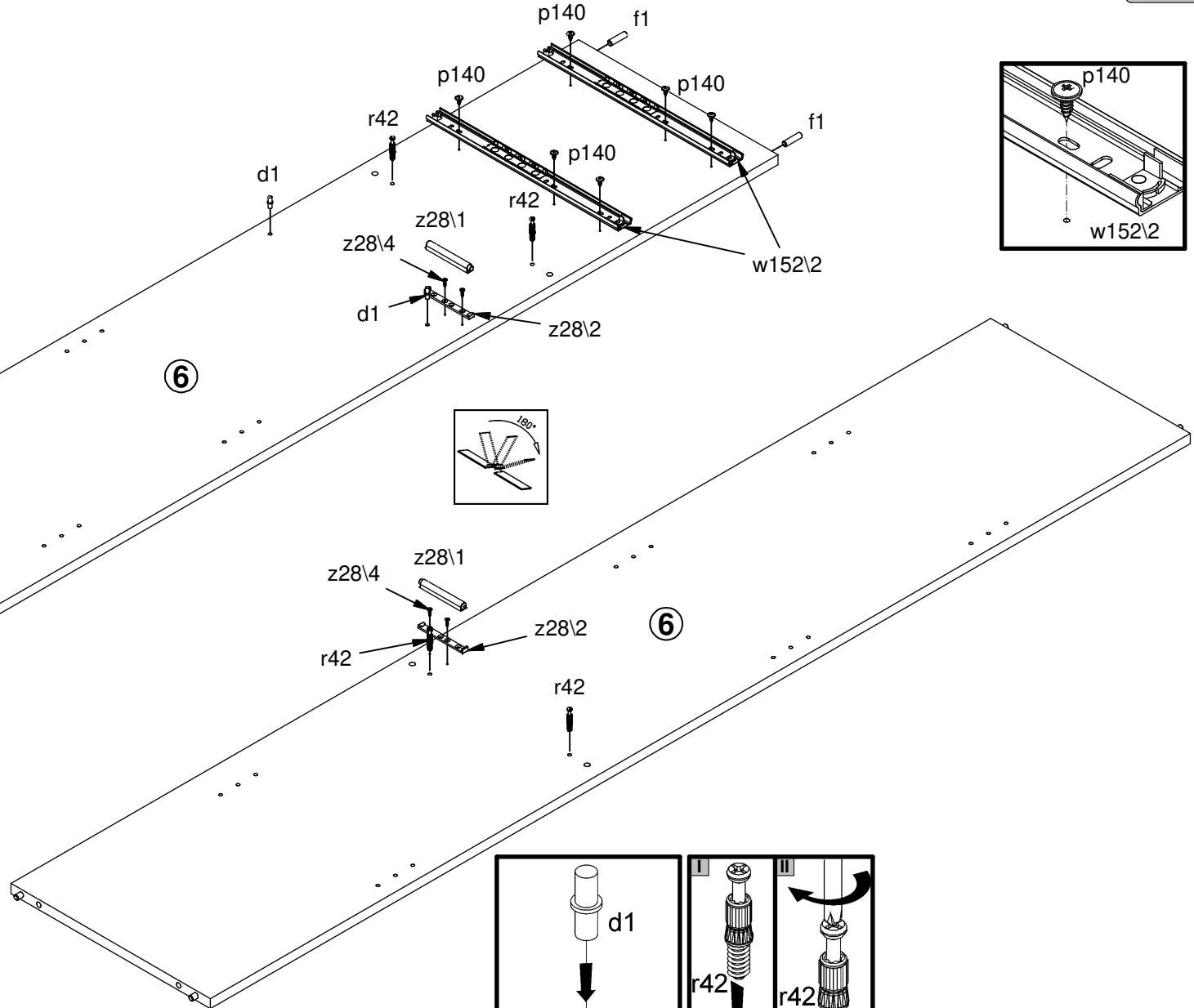
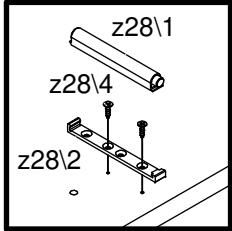
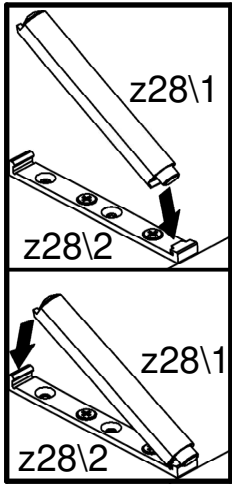
- 2 3x  b42
- 8x  f1 Ø8x30 mm
- 6x  r1 Ø15x12 mm #16
- 2x  r42 20x11



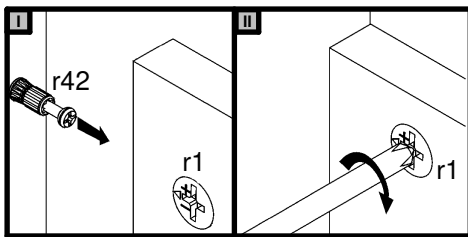
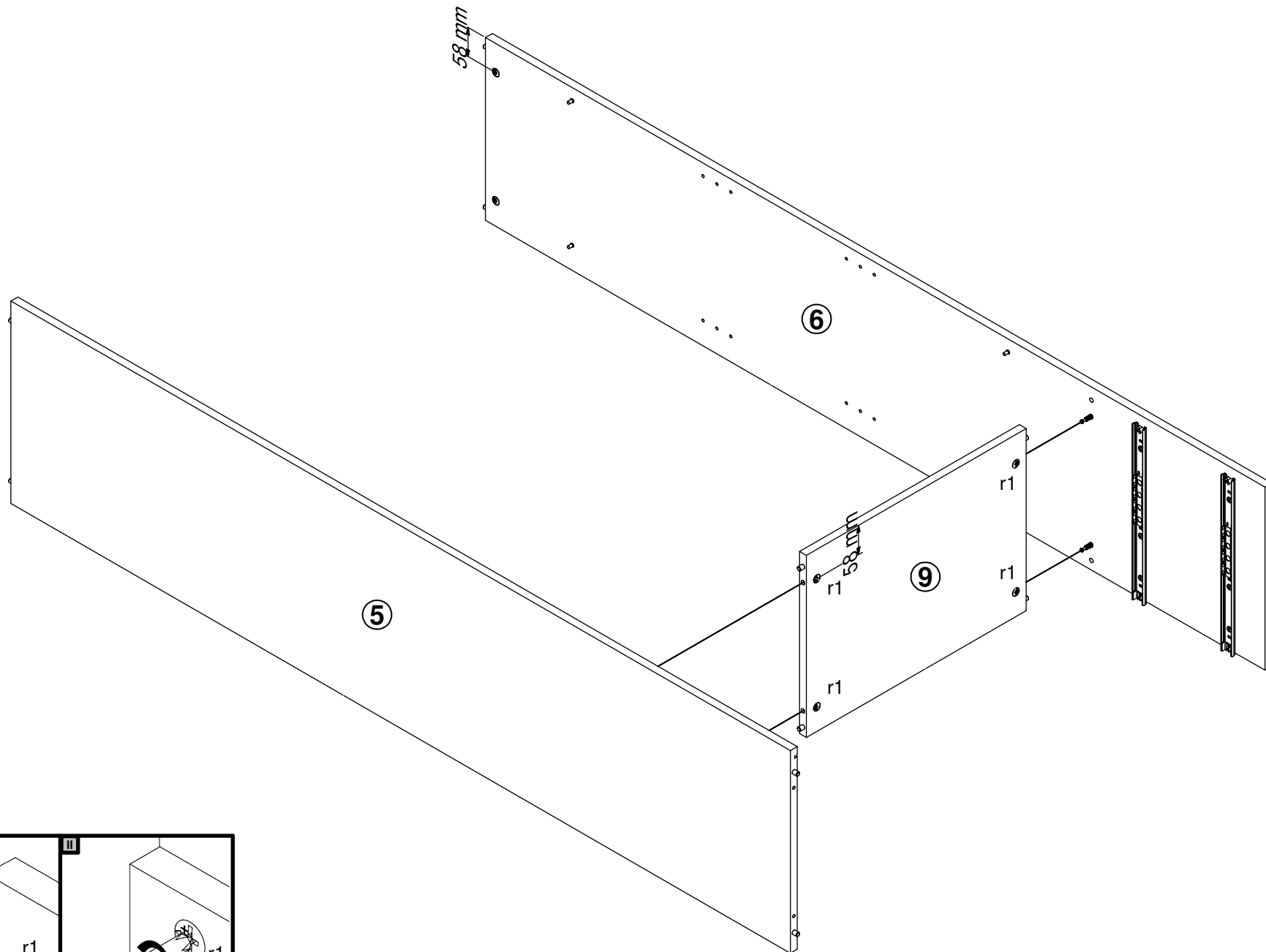
- 3 2x  **b42**
- 4x  **f1** $\varnothing 5 \times 17 \text{ mm}$
- 4x  **d1** $\varnothing 8 \times 30 \text{ mm}$
- 6x  **p140** $\varnothing 3.5 \times 12 \text{ mm}$
- 2x  **r1** $\varnothing 15 \times 12 \text{ mm \#16}$
- 2x  **r42** 20×11
- 2x  **w152/2** $350/580 \text{ mm}$



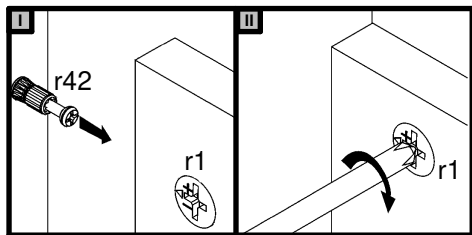
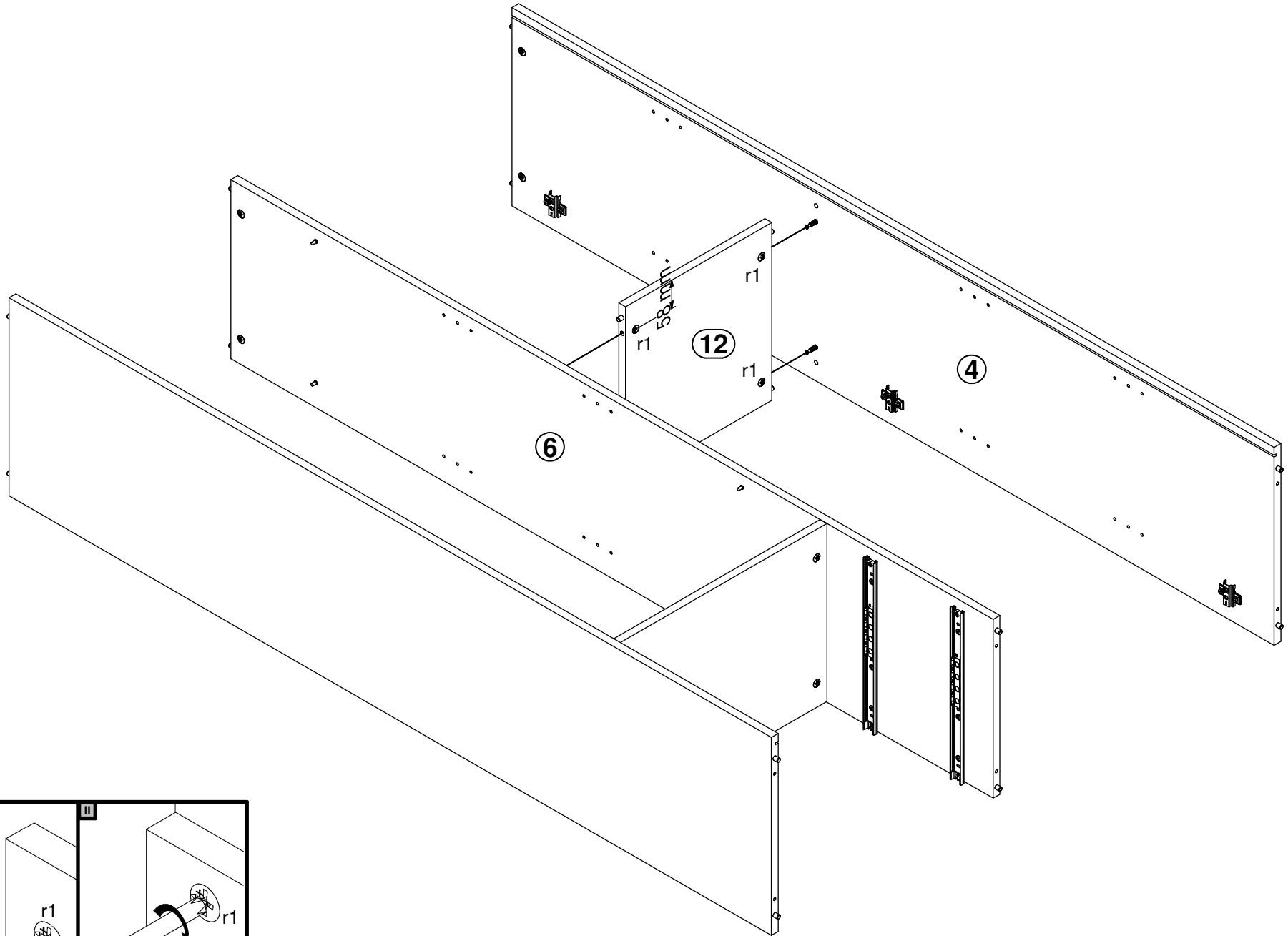
- 4x $\varnothing 5 \times 17 \text{ mm}$ d1
- 4x $\varnothing 8 \times 30 \text{ mm}$ f1
- 6x $\varnothing 3,5 \times 12 \text{ mm}$ p140
- 2x $\varnothing 15 \times 12 \text{ mm}$ #16 r1
- 4x $20/11$ r42
- 2x $350/580 \text{ mm}$ w152\2
- 2x z28\1
- 2x $82 \times 9,5 \times 6,5 \text{ mm}$ z28\2
- 4x $\varnothing 3 \times 12 \text{ mm}$ z28\4



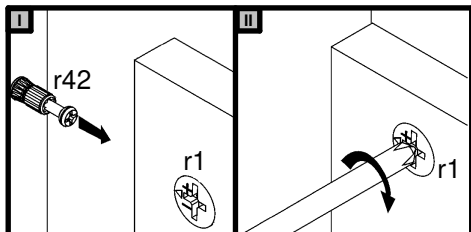
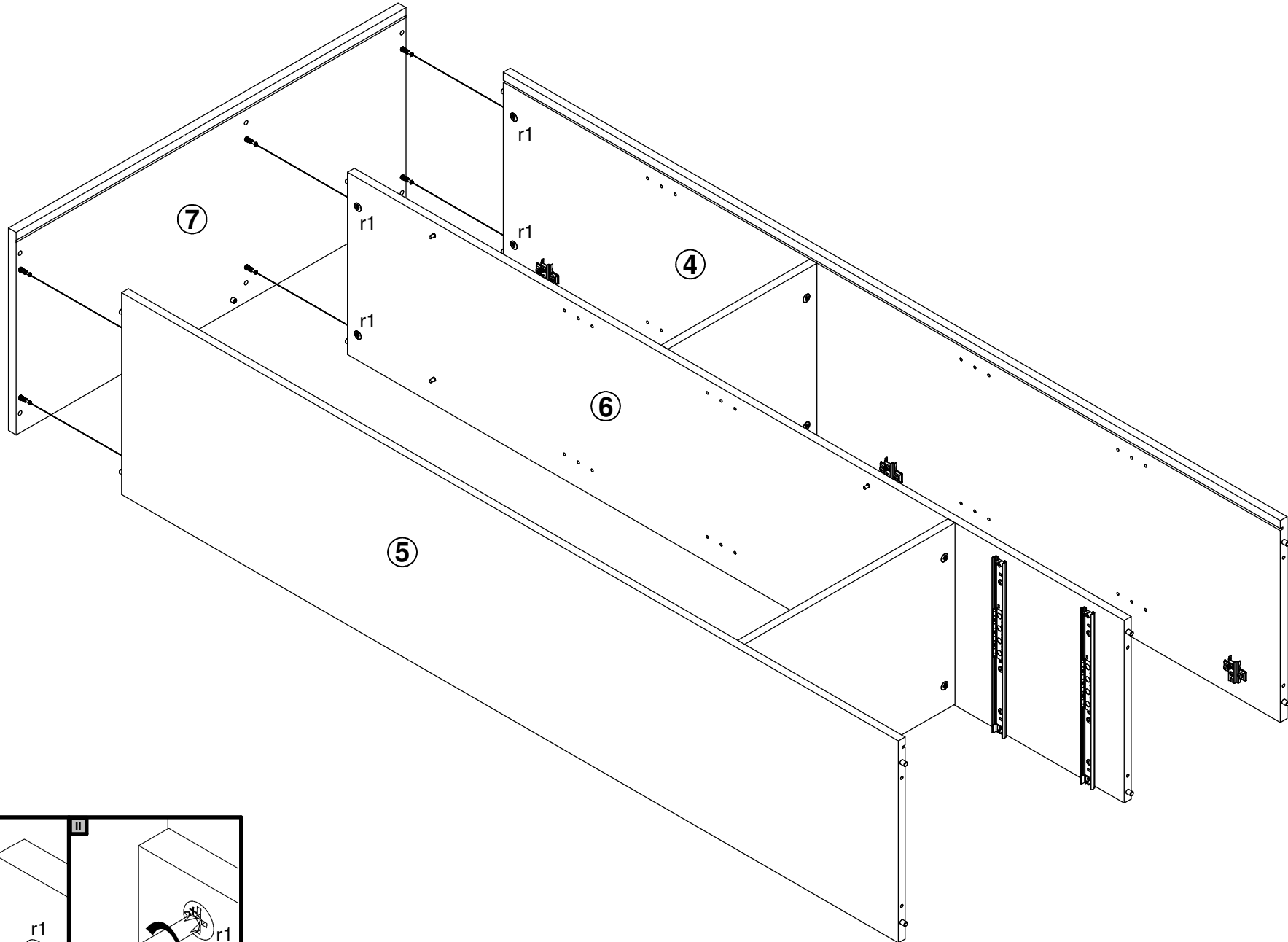
5

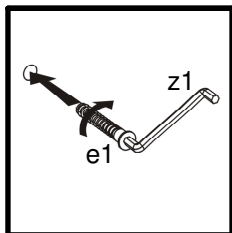
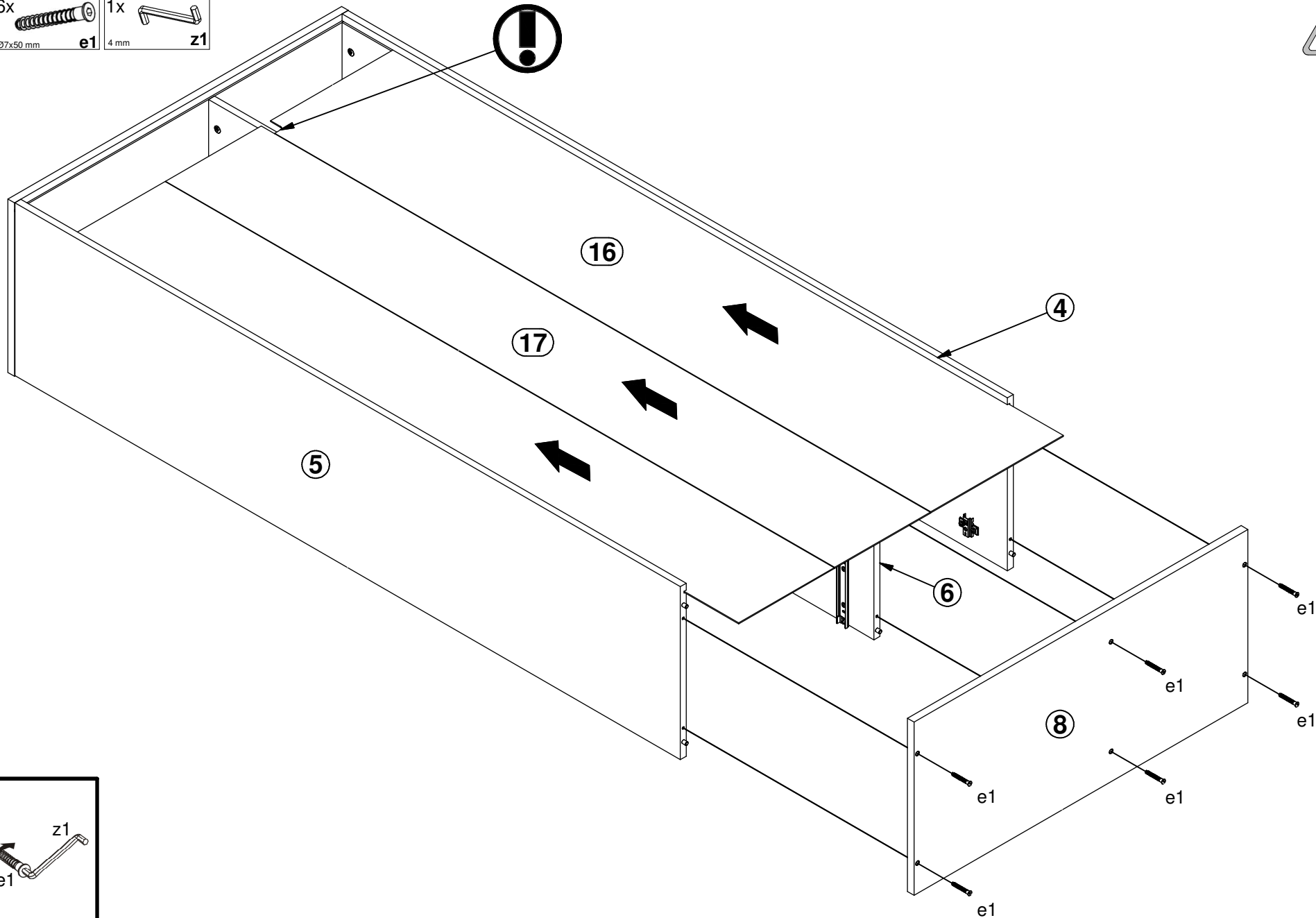
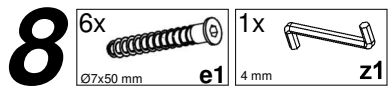


6

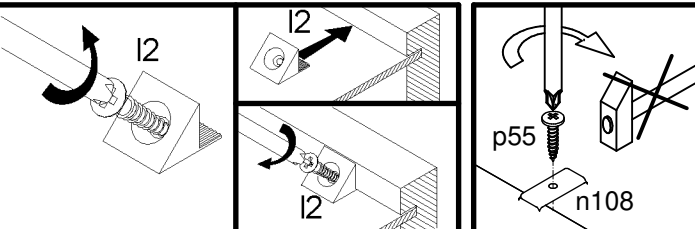
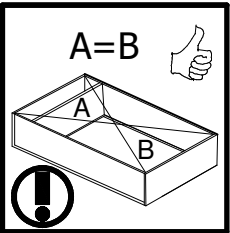
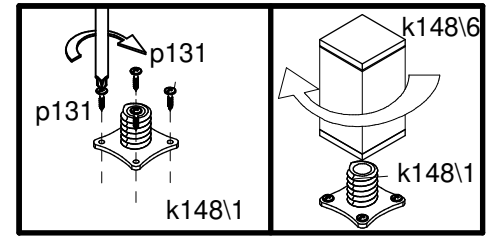
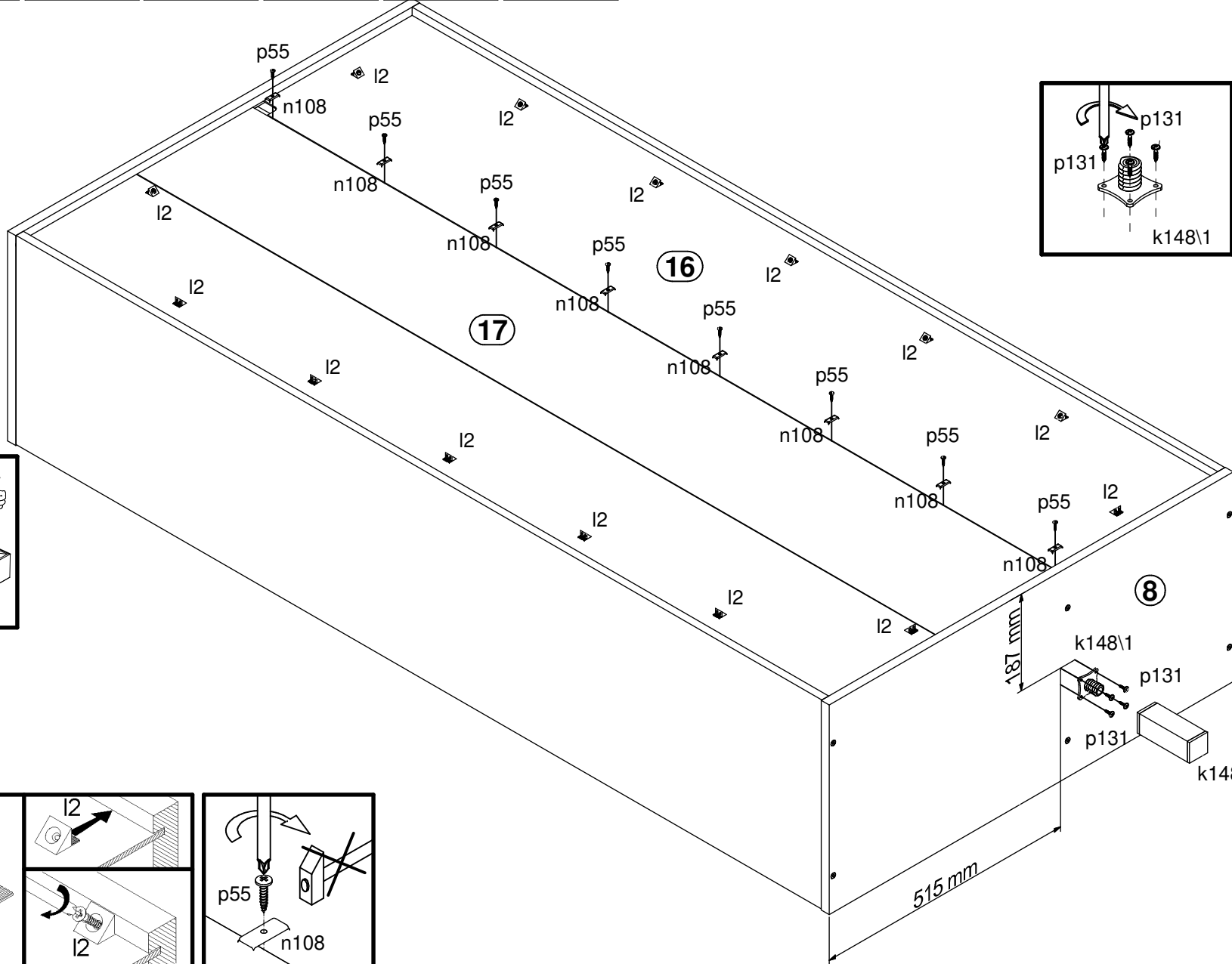
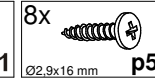
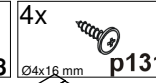
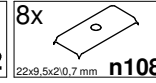
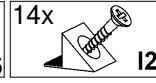
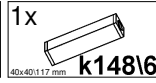
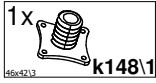




7

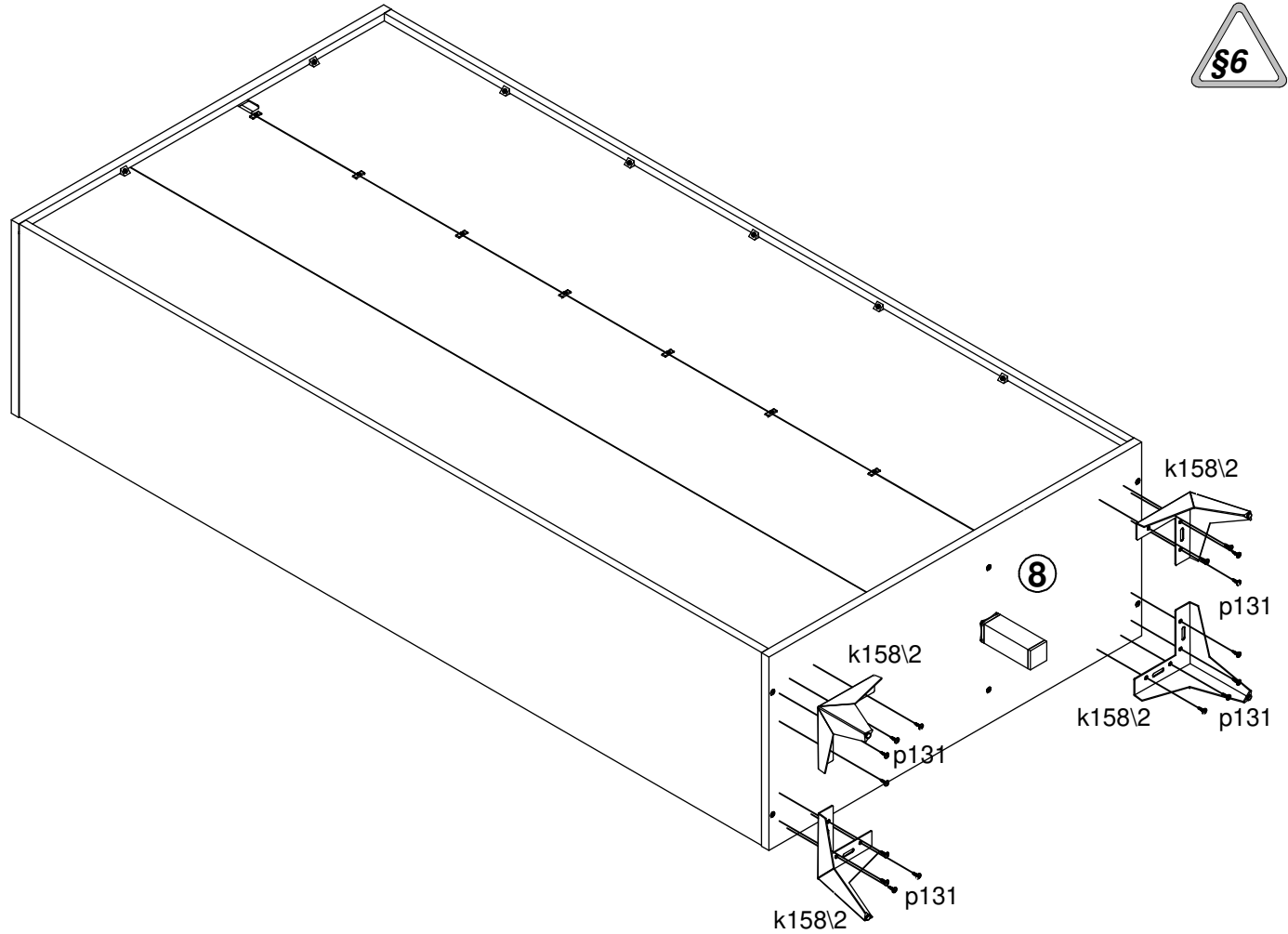
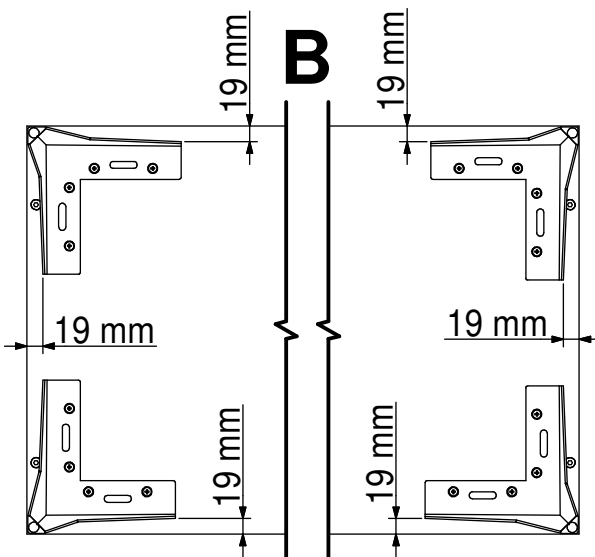
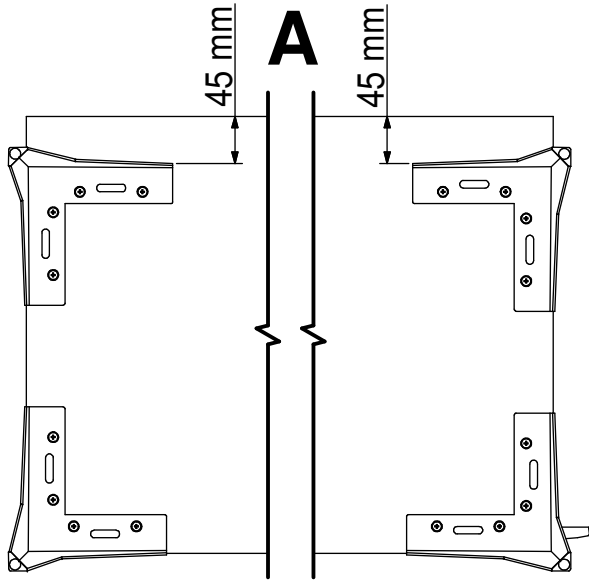


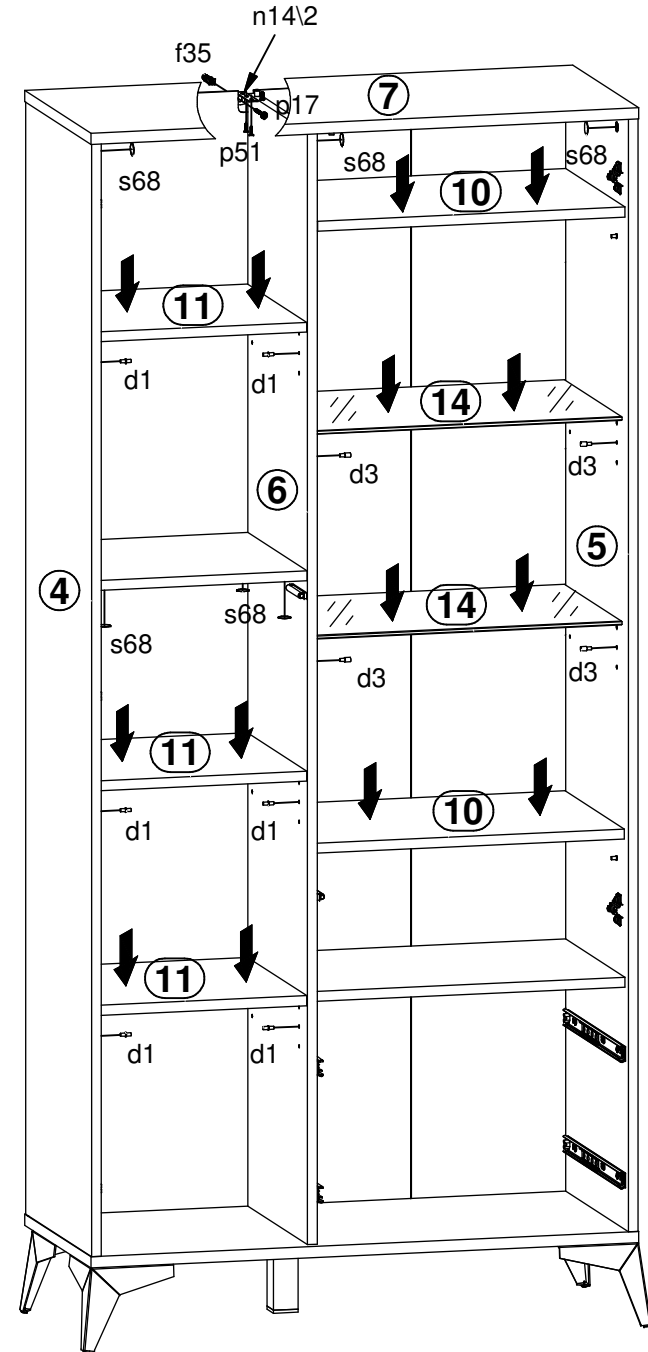
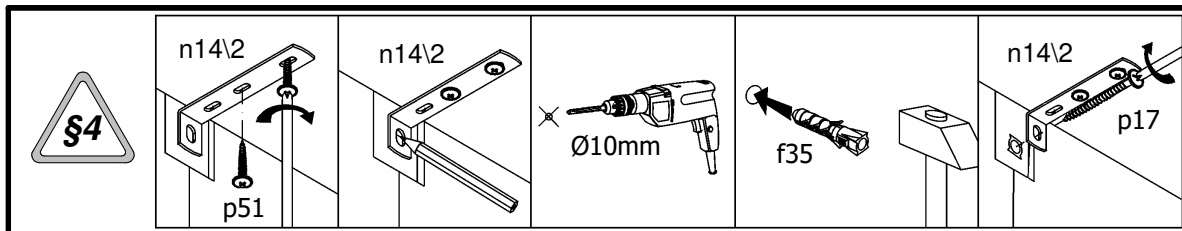
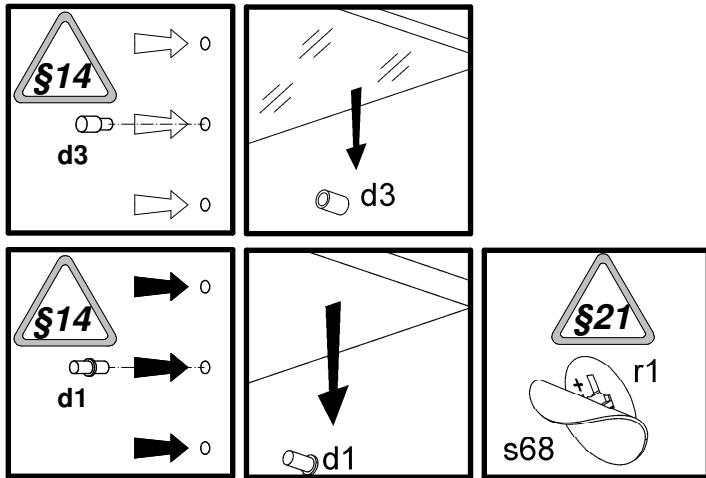
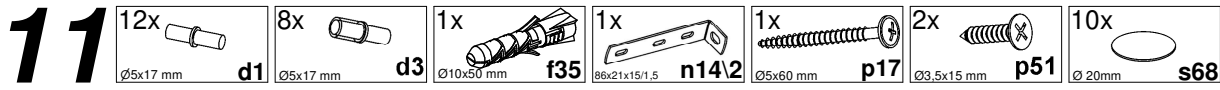


9

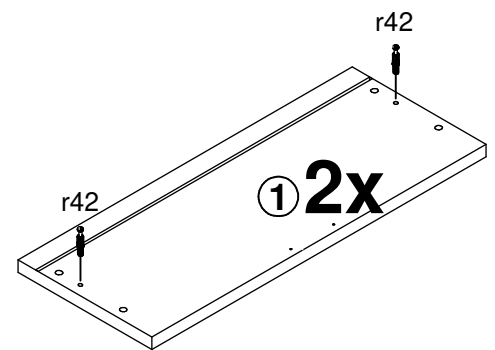
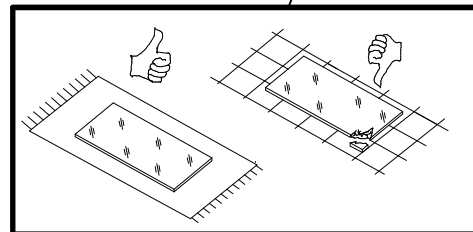
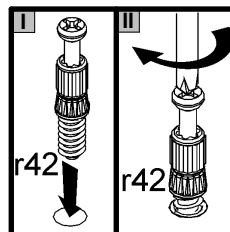
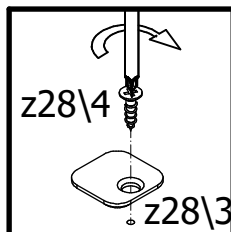
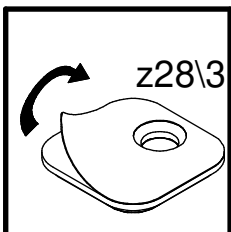
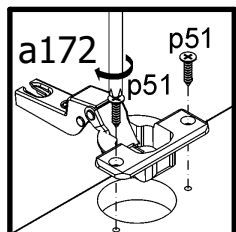
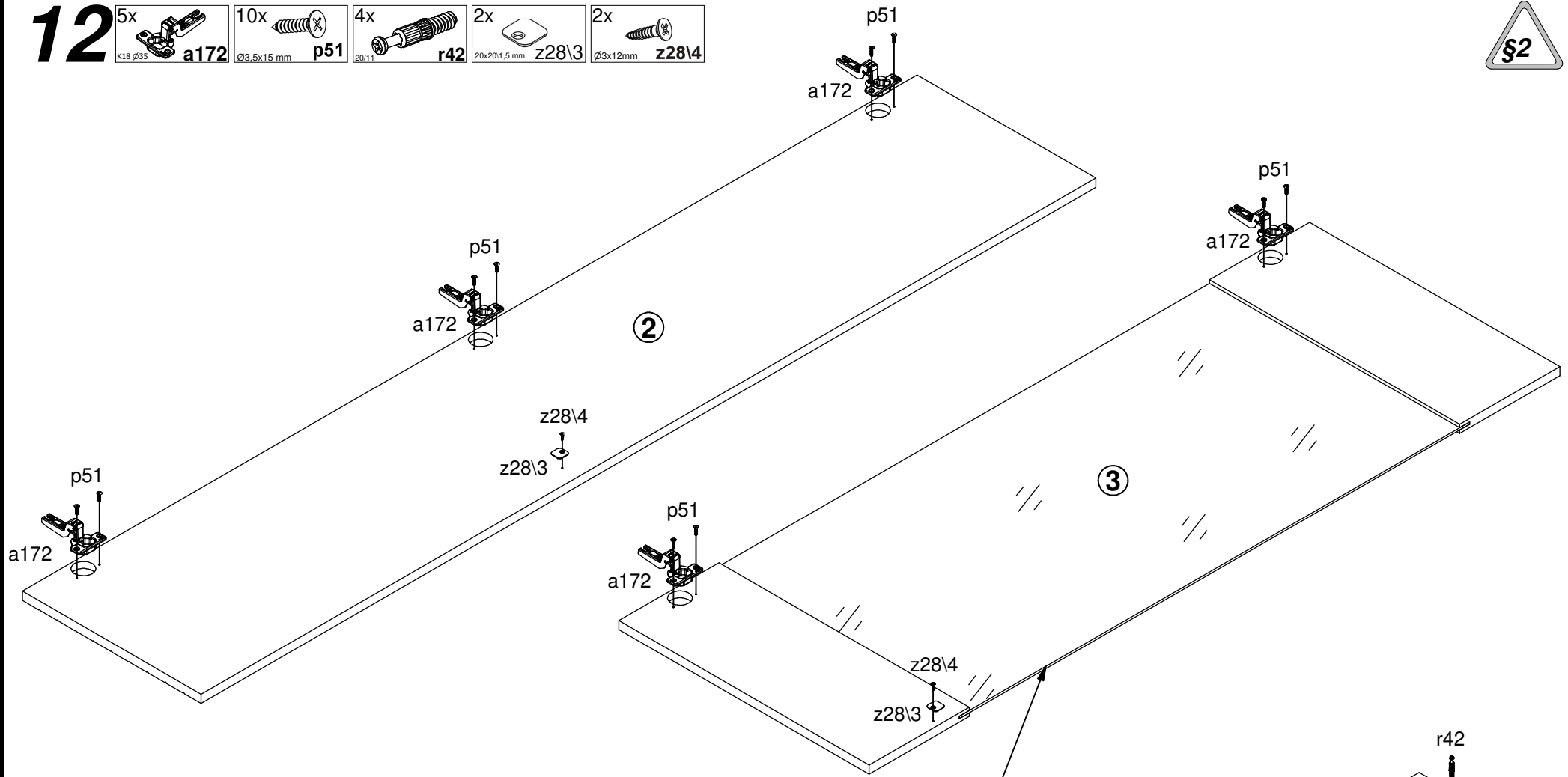
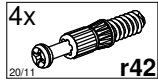
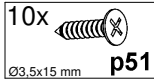
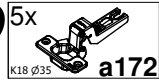


10 4x  k158\2 16x  p131
Ø4x16 mm

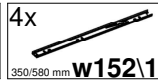
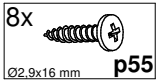
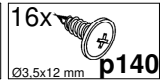
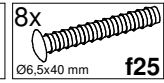
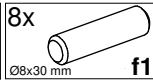
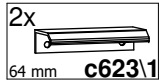




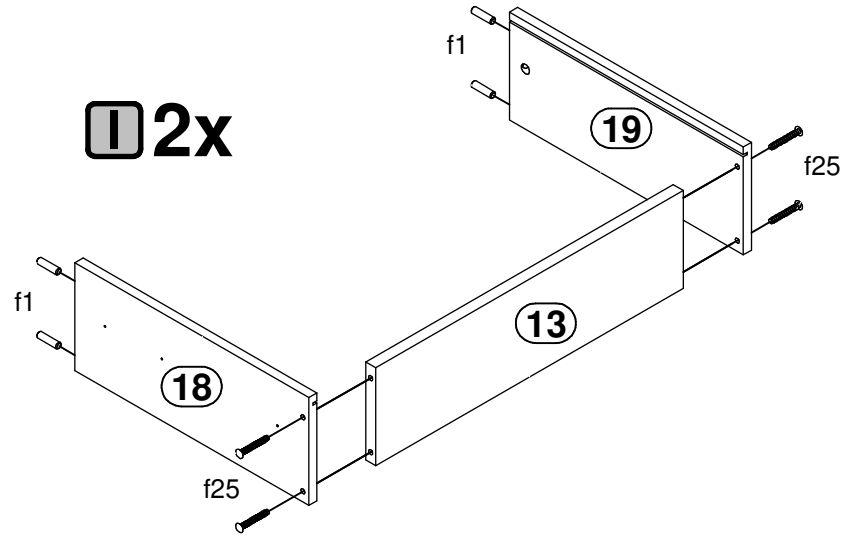
12



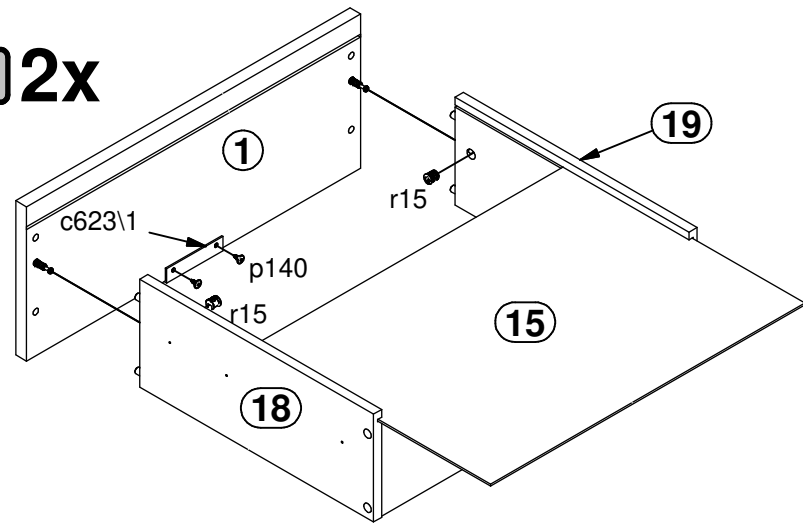
13



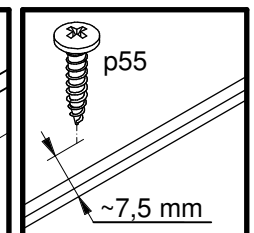
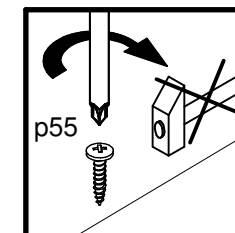
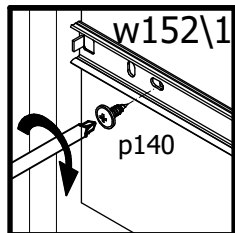
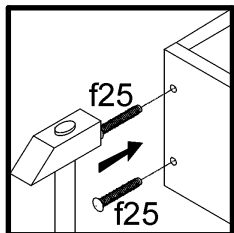
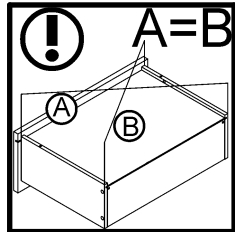
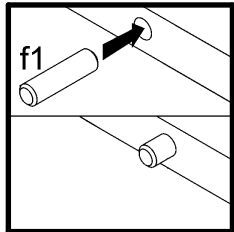
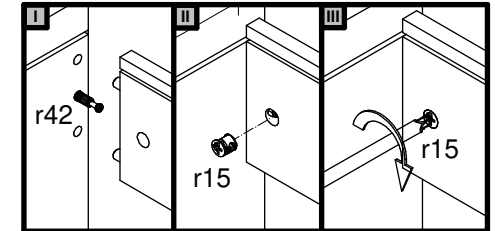
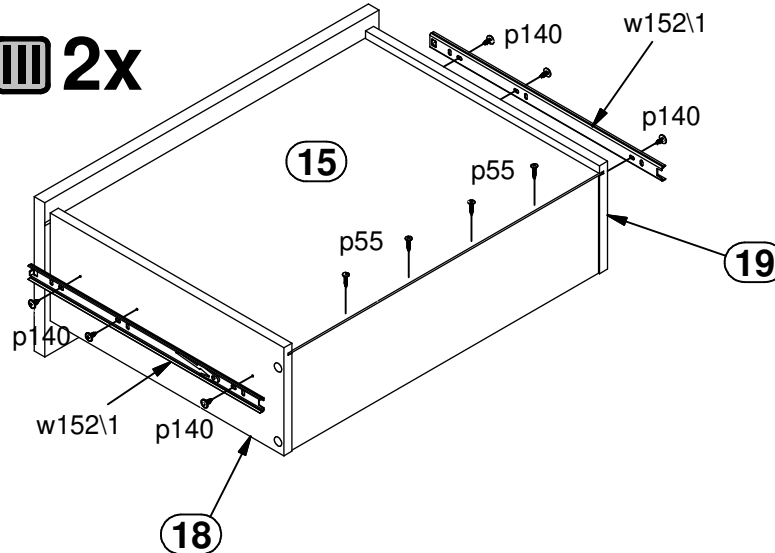
I 2x




II 2x



III 2x



14 ^{1x}  silikon o21

