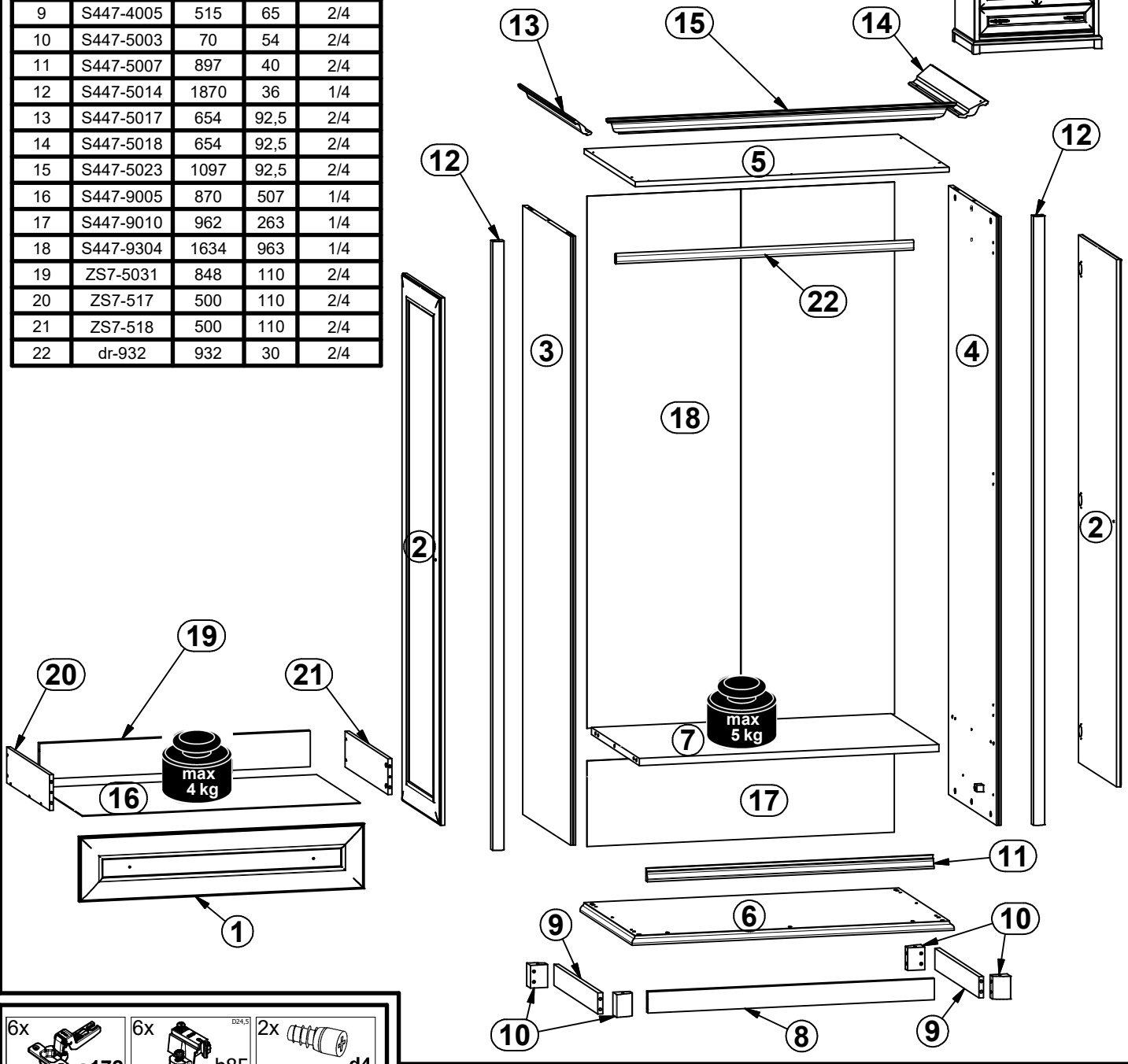
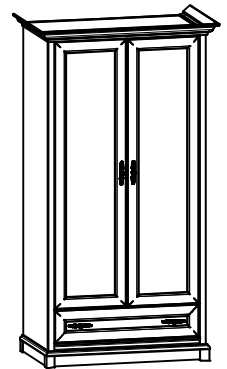
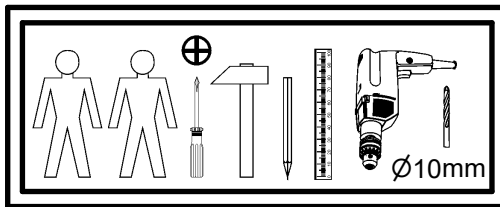


A

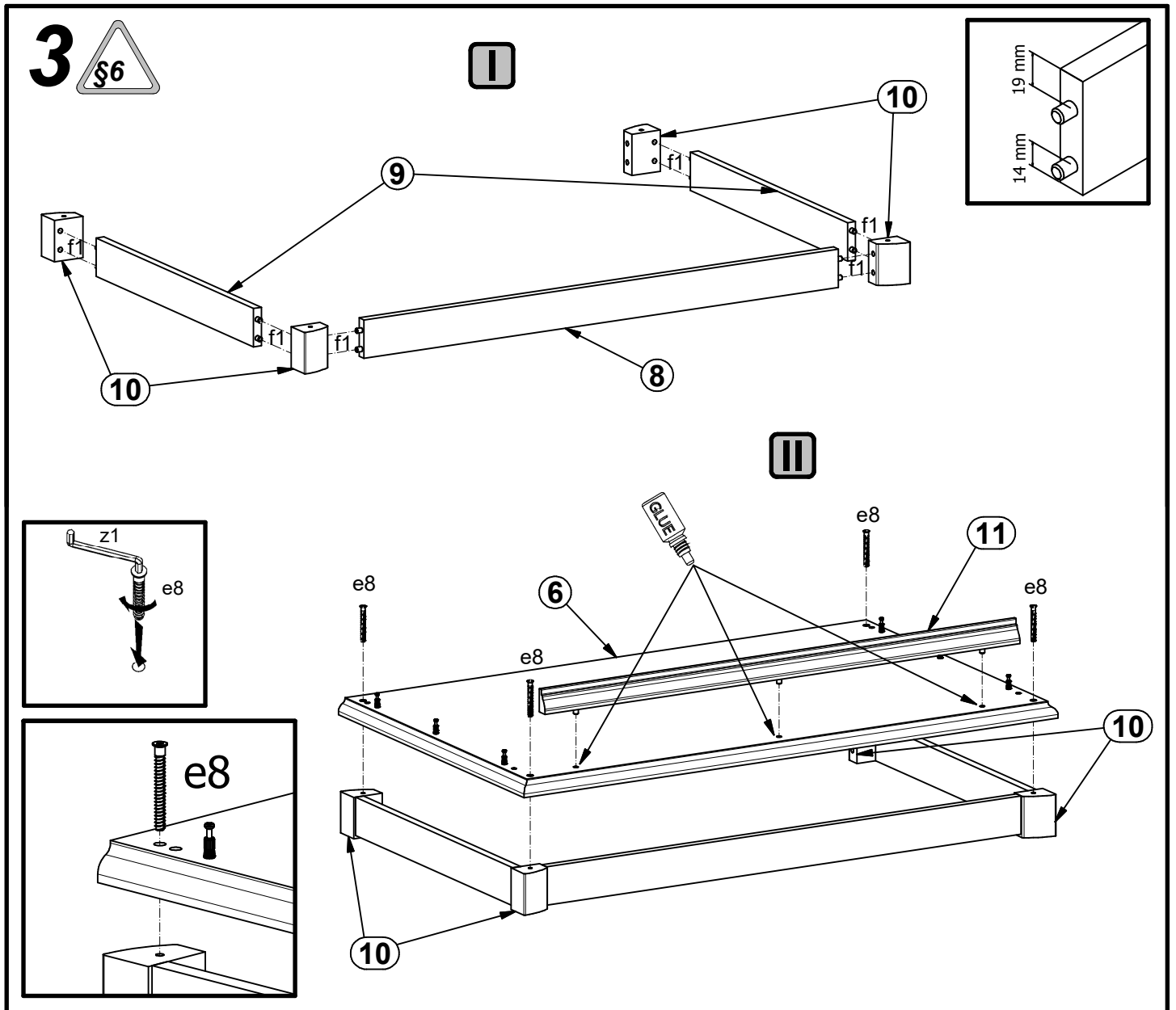
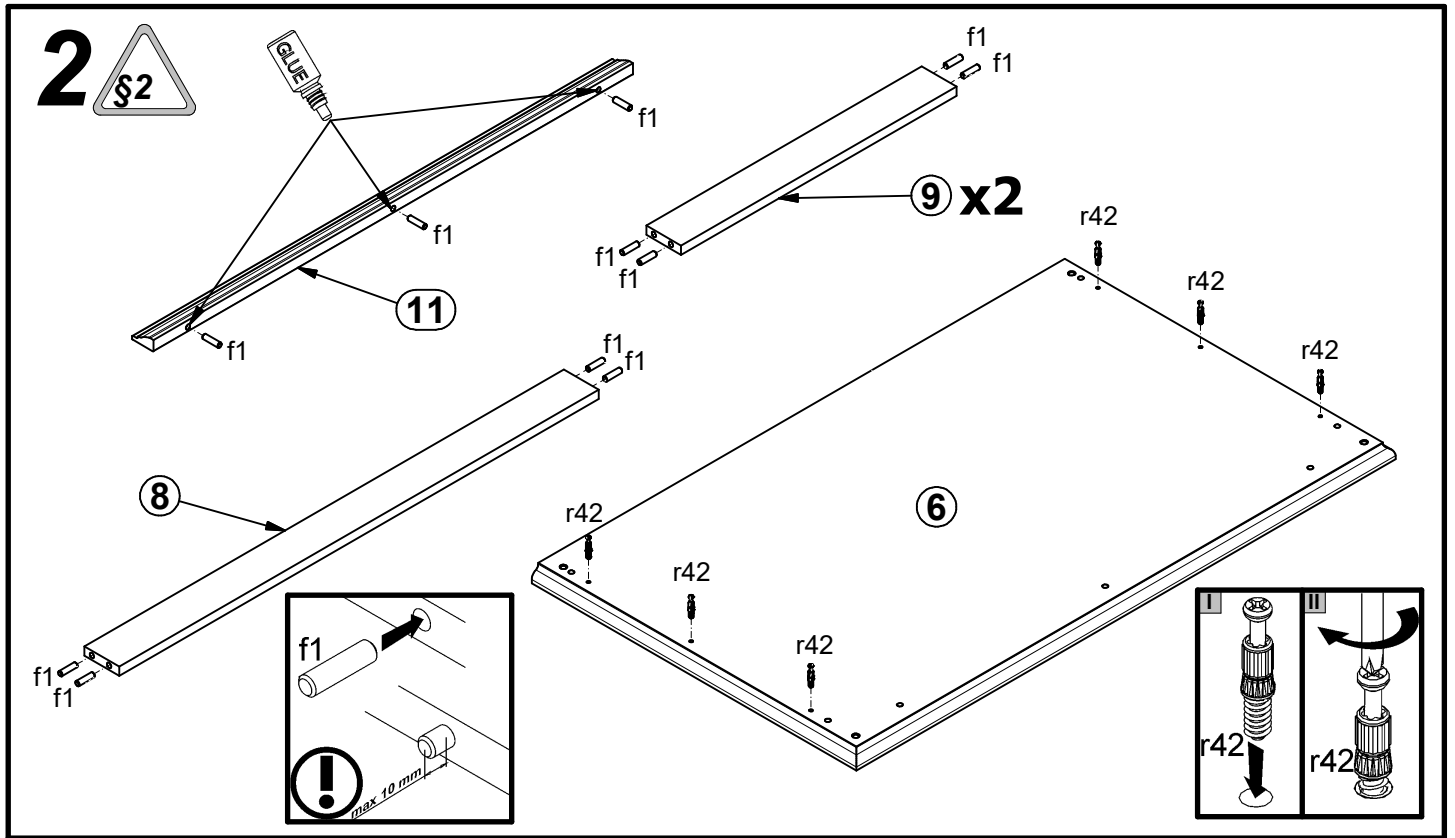
KENT

S447-ESZF2D1S

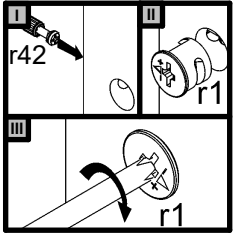
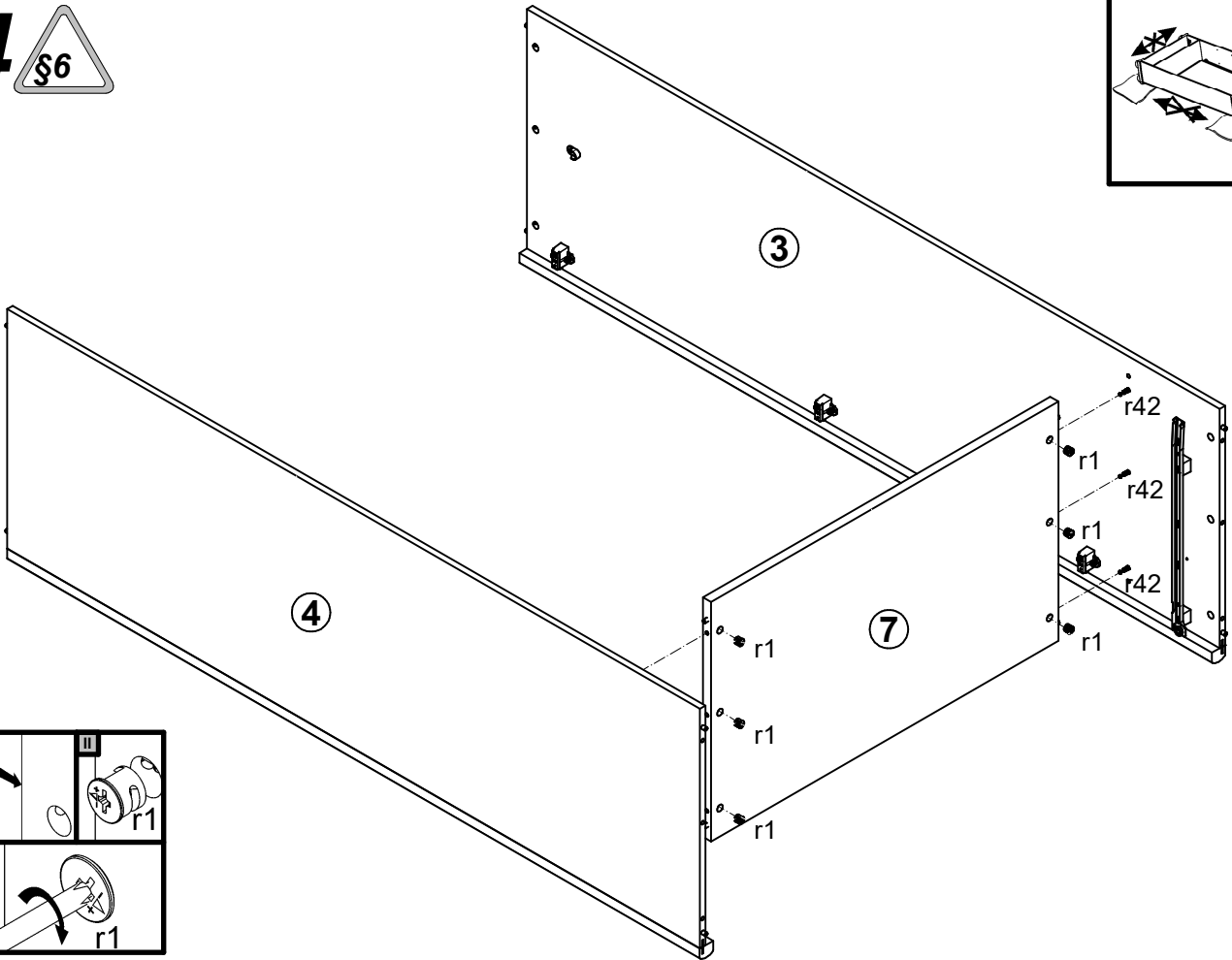
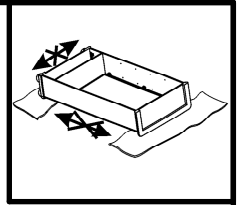
A	B	C	D	
1	S447-0007	892	200	4/4
2	S447-0008	1620	445	3/4
3	S447-1007	1870	560	1/4
4	S447-1008	1870	560	1/4
5	S447-2007	983	597	2/4
6	S447-2008	1009	607	2/4
7	S447-3002	938	560	2/4
8	S447-4003	897	65	2/4
9	S447-4005	515	65	2/4
10	S447-5003	70	54	2/4
11	S447-5007	897	40	2/4
12	S447-5014	1870	36	1/4
13	S447-5017	654	92,5	2/4
14	S447-5018	654	92,5	2/4
15	S447-5023	1097	92,5	2/4
16	S447-9005	870	507	1/4
17	S447-9010	962	263	1/4
18	S447-9304	1634	963	1/4
19	ZS7-5031	848	110	2/4
20	ZS7-517	500	110	2/4
21	ZS7-518	500	110	2/4
22	dr-932	932	30	2/4



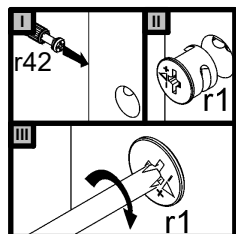
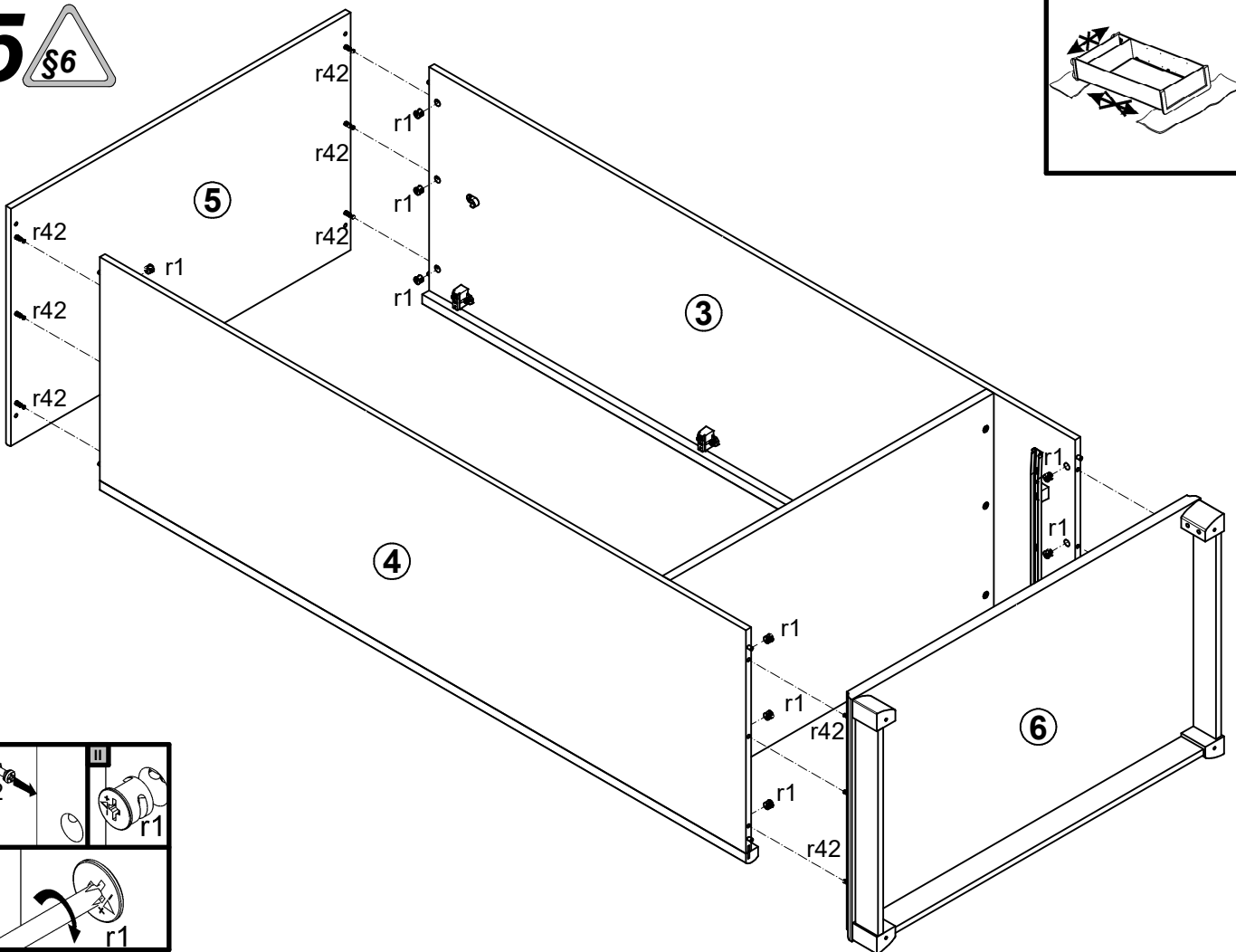
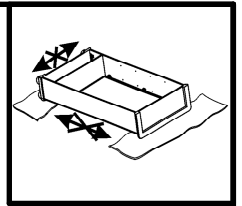
6x K18 Ø35 a172	6x D24,5 b85	2x Ø6,3x15 mm d4	4x c35\1	4x c35\2	4x Ø7x60 mm e8	6x Ø6x33 mm e10	6x Ø5x9 mm e19	27x Ø8x30 mm f1	4x Ø6,5x40 mm f25	16x 100x30\3,8 mm f64	2x Ø6x30 mm f9
2x M4x20 mm j1	2x M4x30 mm j6	70x 1,4x20 mm l1	2x n158	2x 26x26x16\1-125° n40	2x Ø3,5x13 mm p1	1x Ø3,5x16 mm p25	1x Ø3,5x10 mm p35	6x Ø3,5x16 mm p38	1x 500 mm t34	1x 500 mm w26\CL	1x 500 mm w26\CR
1x 500 mm w26\DL	1x 500 mm w26\DR	6x H=21mm w248	6x Ø16 s2	1x 30g GLUE y1\2	1x 4 mm z1	1x n26	1x Ø3,5x16 mm p38				



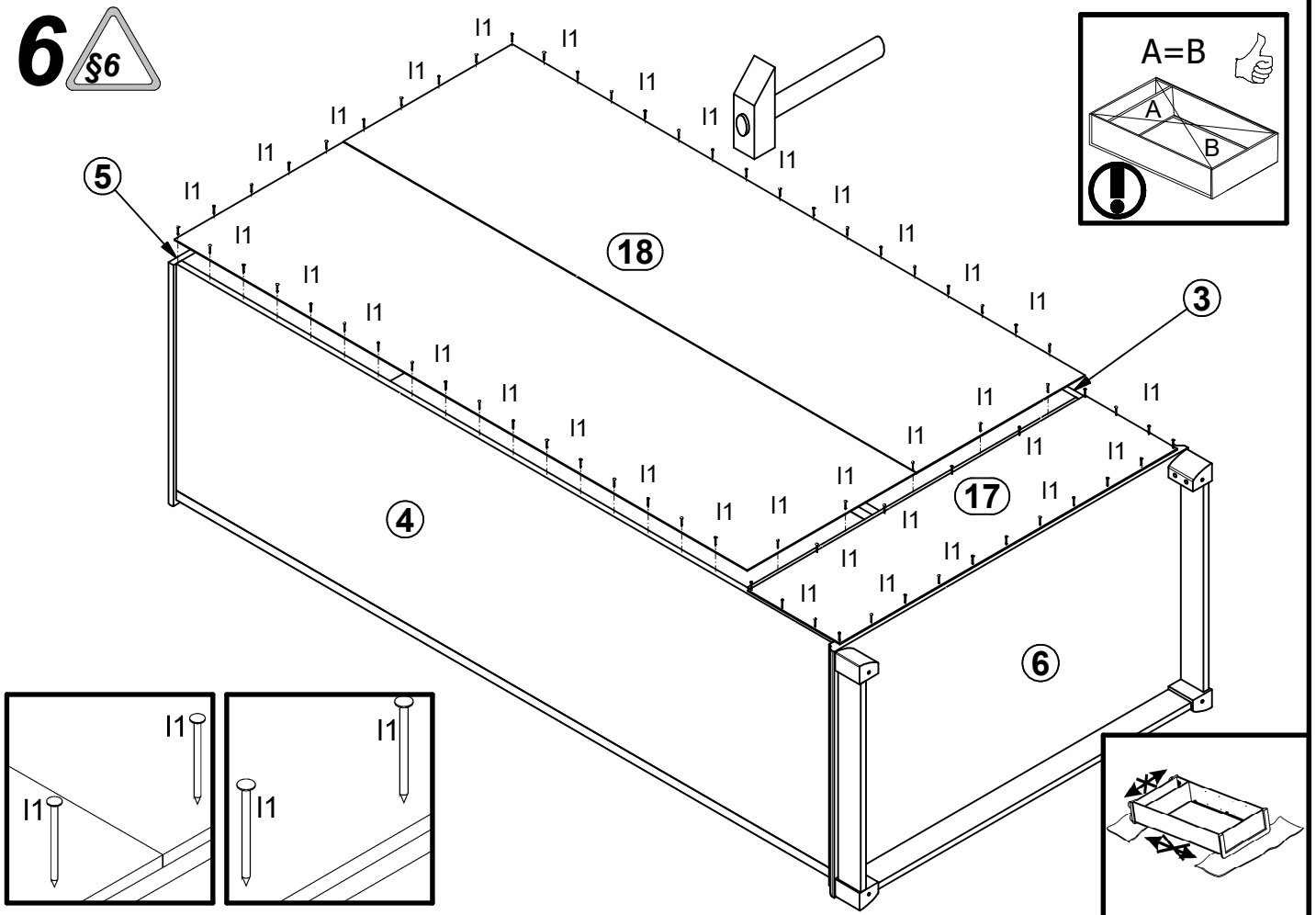
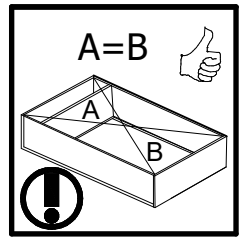
4 §6



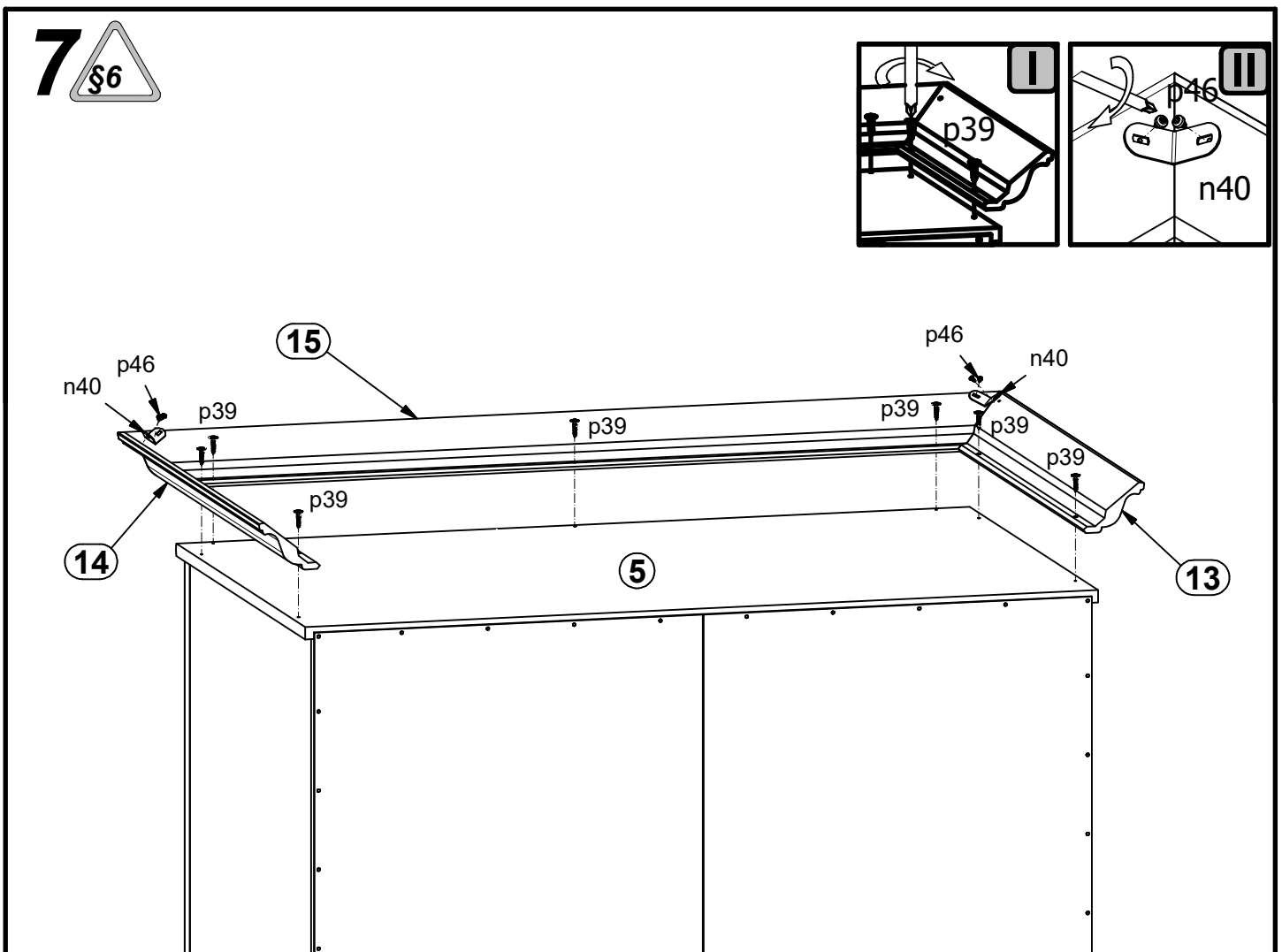
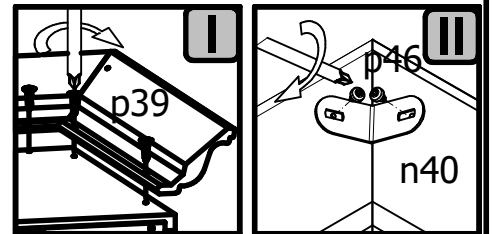
5 §6



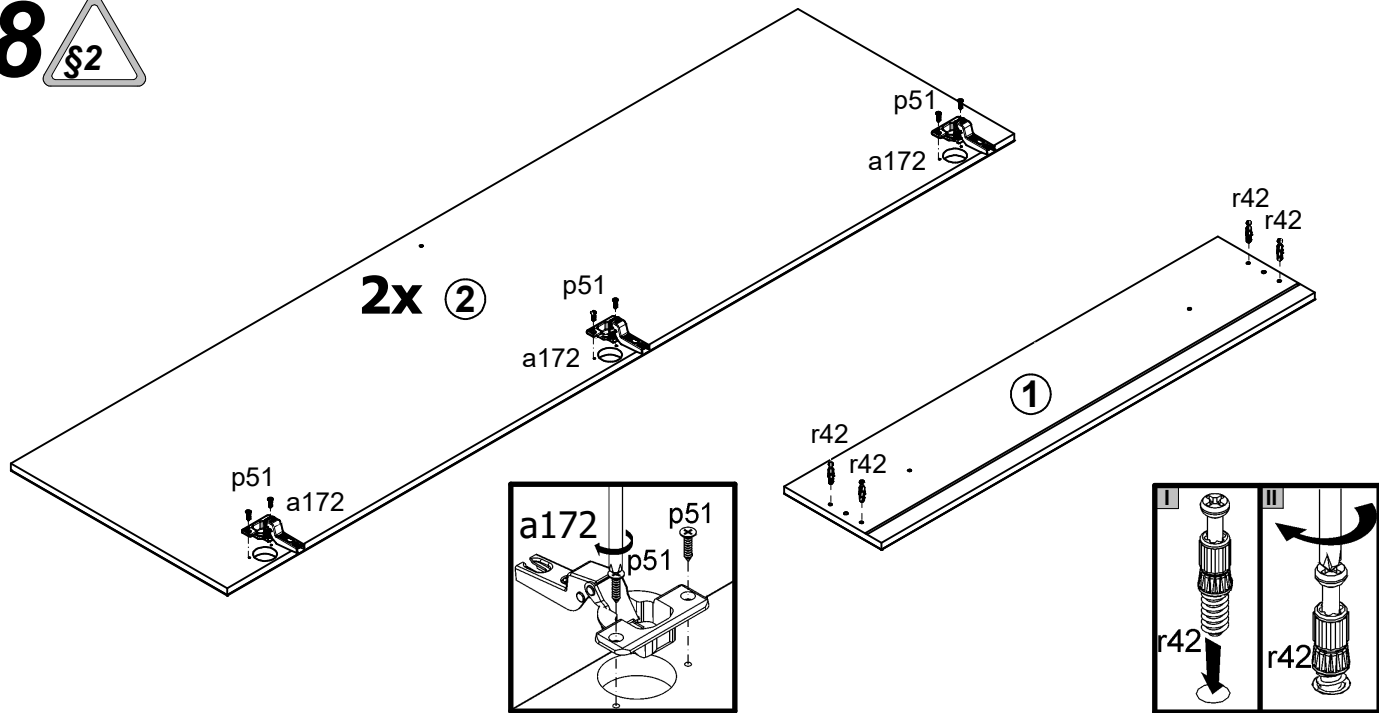
6



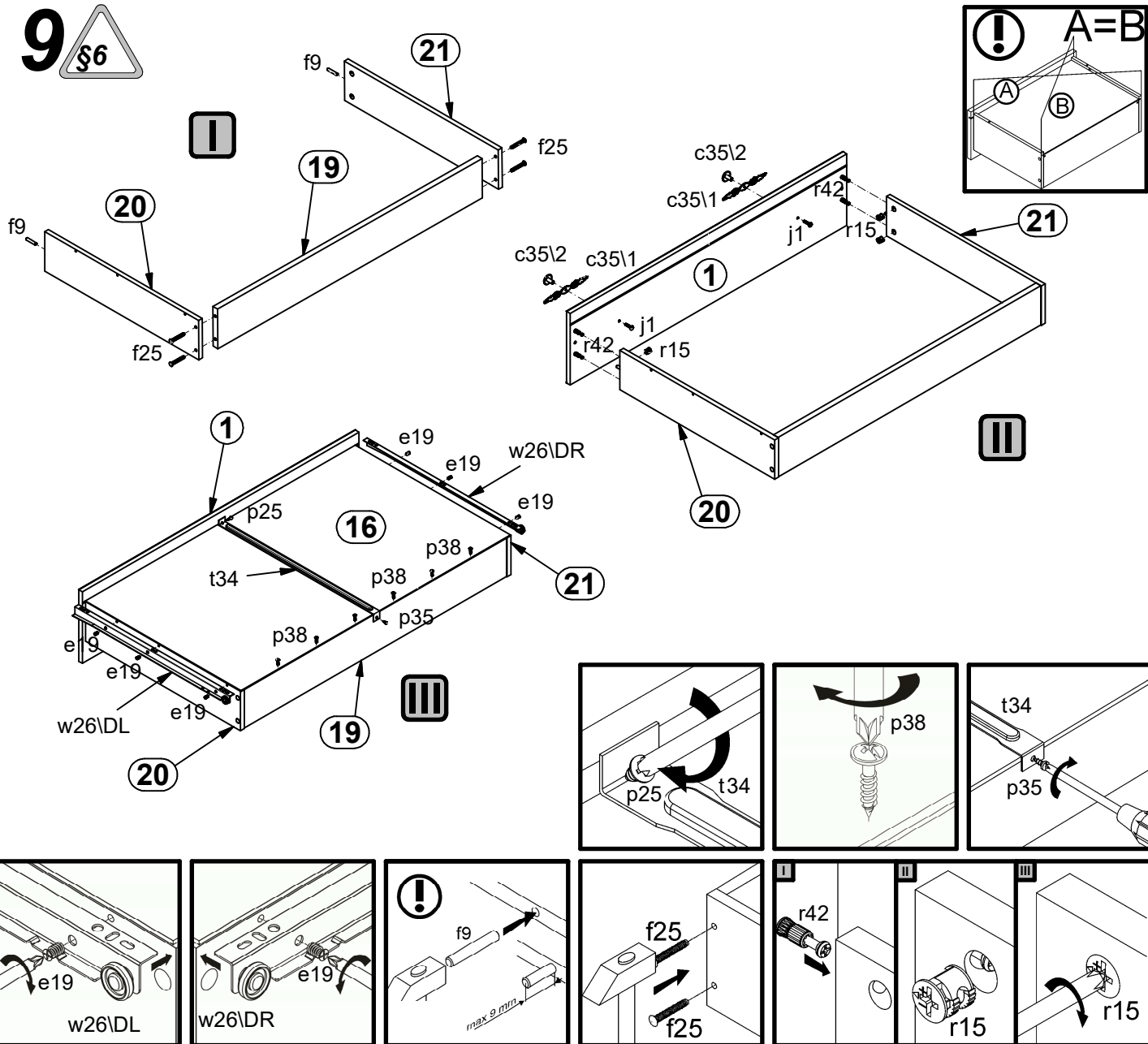
7



8 



9 



10

