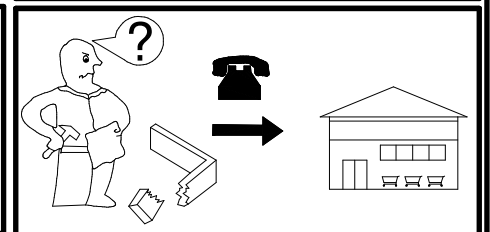
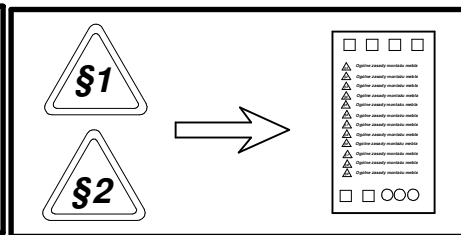
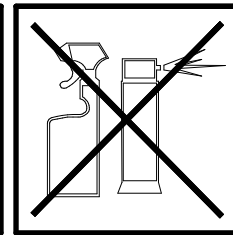
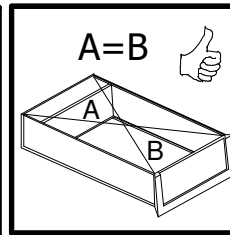
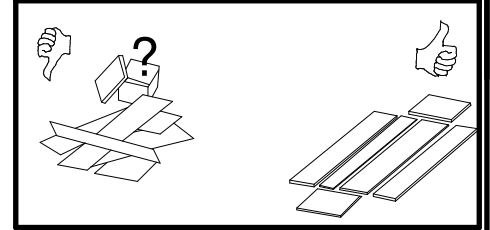
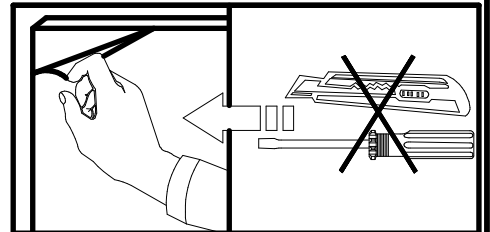
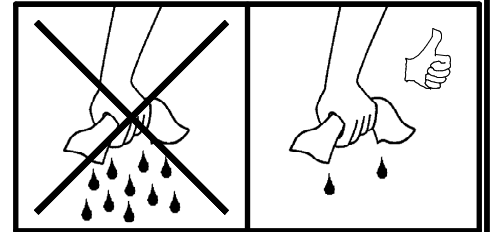
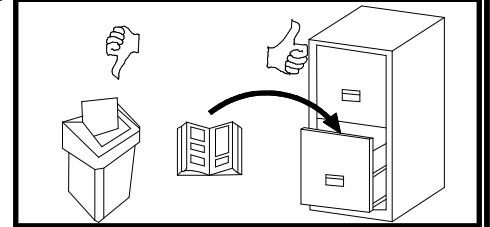
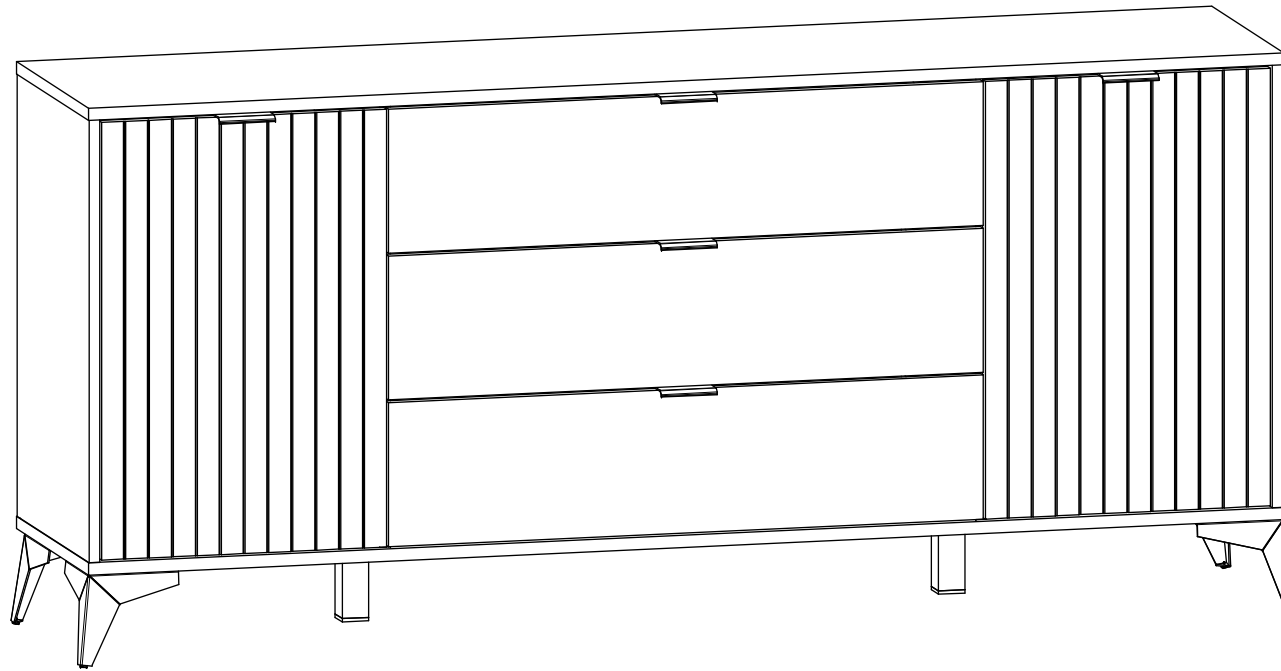
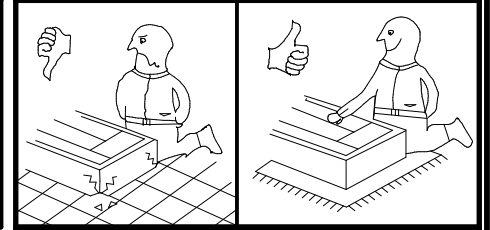
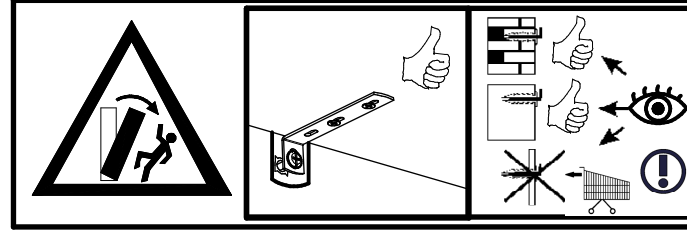
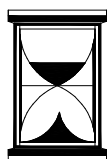
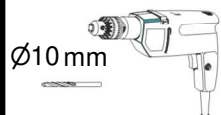
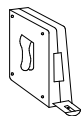
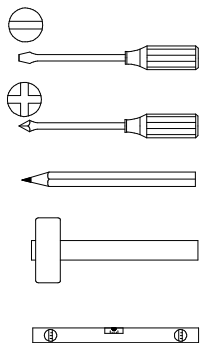
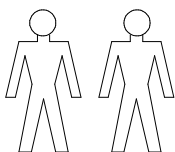


A

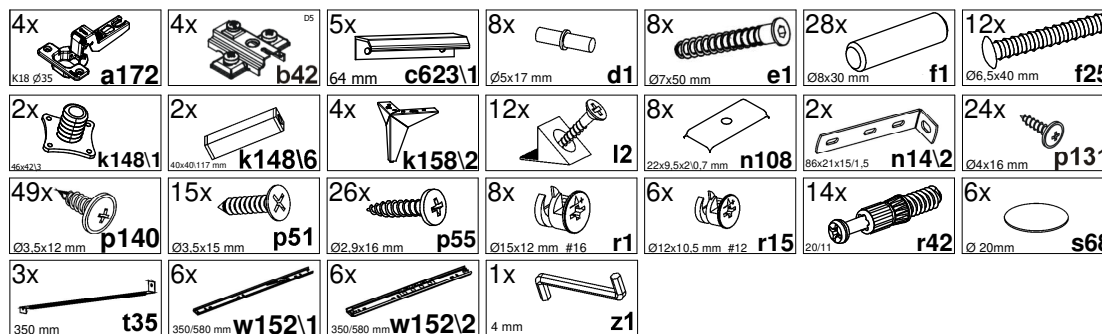
S632-KOM2D3S/180

LAMEA

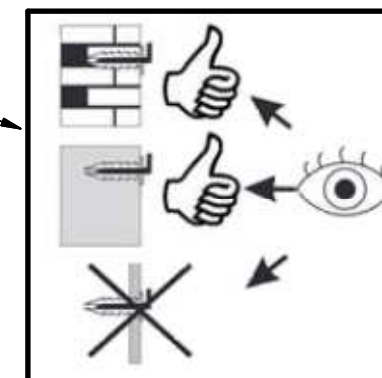


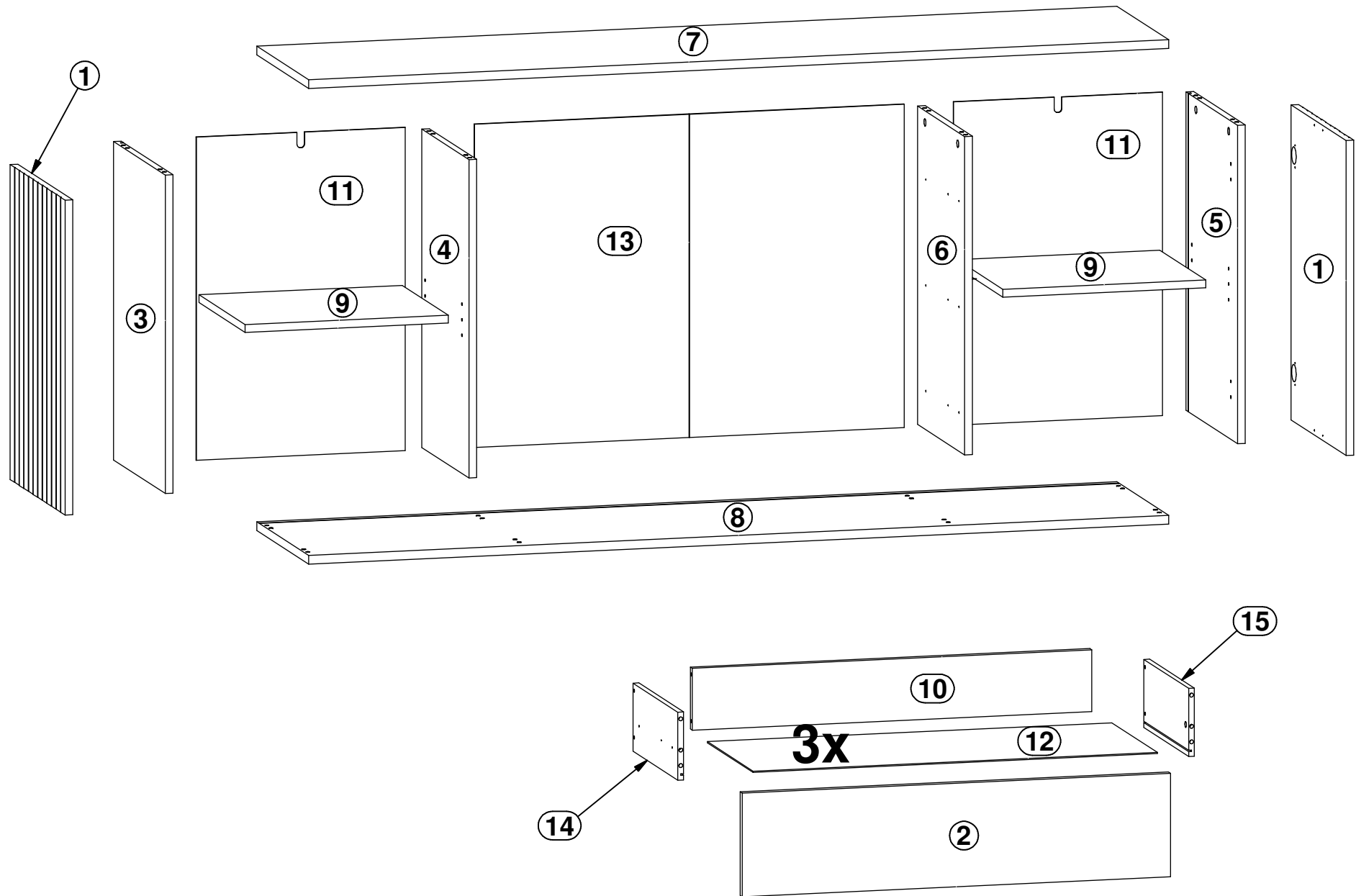


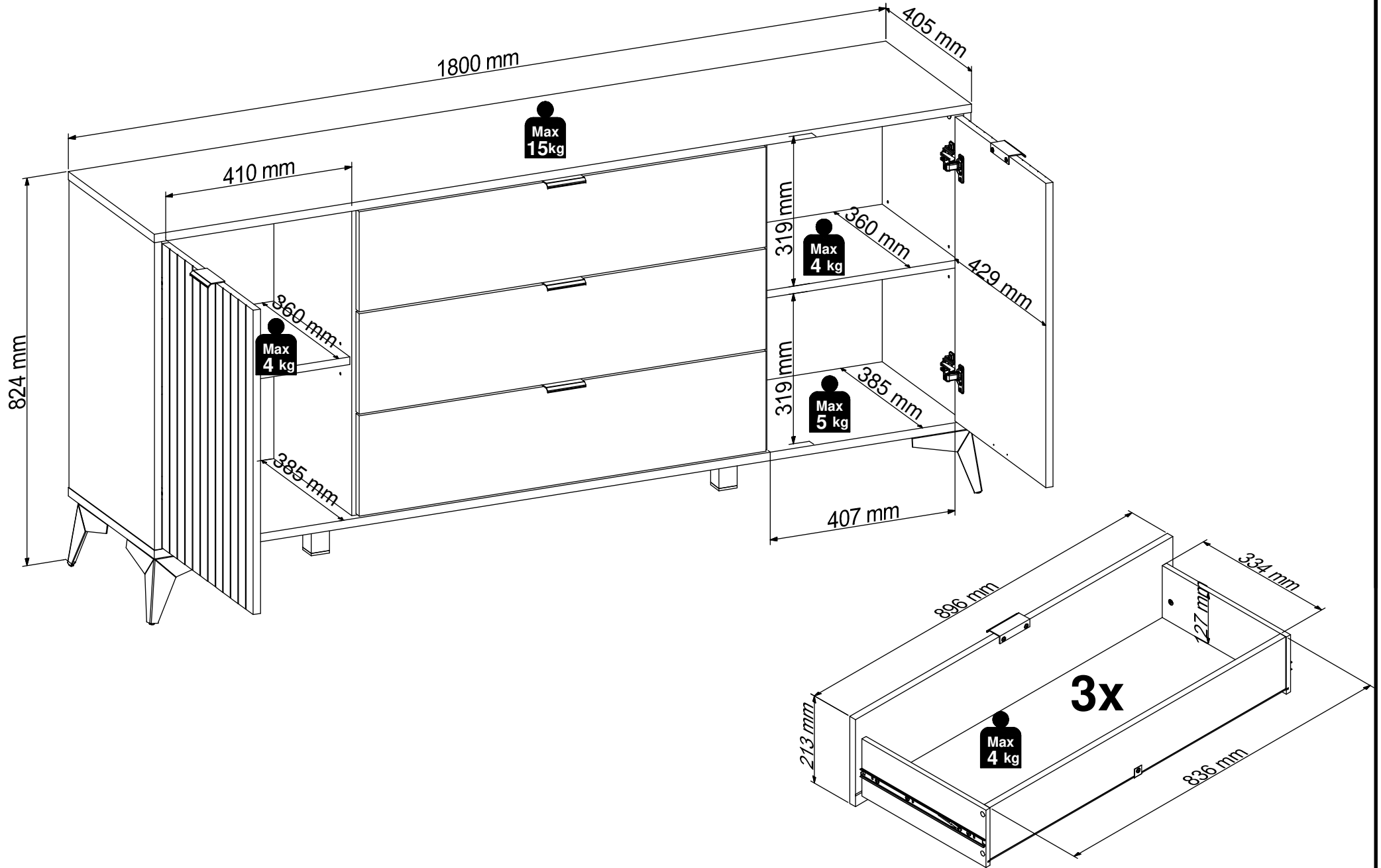
60 min



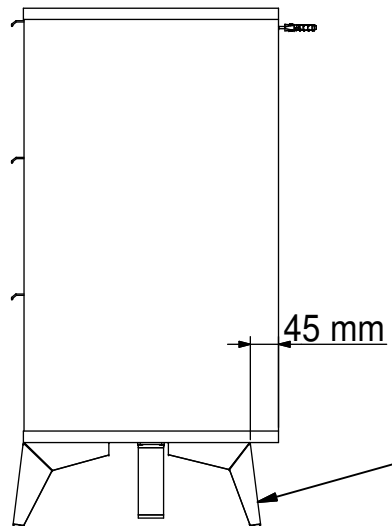
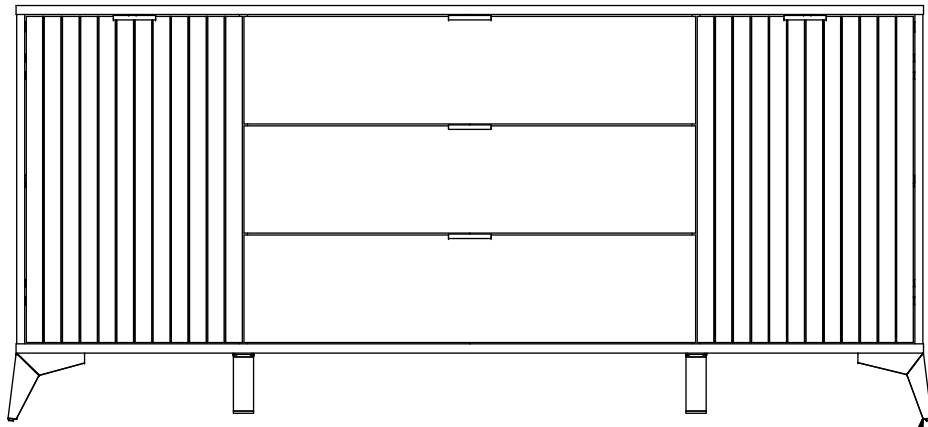
| A  | B1        | B2 | C1   | C2  | C3  | D   |
|----|-----------|----|------|-----|-----|-----|
| 1  | S632-0005 | -1 | 647  | 429 | 16  | 2/3 |
| 2  | S632-0007 | -1 | 896  | 213 | 16  | 1/3 |
| 3  | S632-1004 | -1 | 654  | 404 | 16  | 1/3 |
| 4  | S632-1006 | -1 | 654  | 368 | 16  | 1/3 |
| 5  | S632-1007 | -1 | 654  | 404 | 16  | 1/3 |
| 6  | S632-1008 | -1 | 654  | 368 | 16  | 1/3 |
| 7  | S632-2007 | -1 | 1800 | 405 | 18  | 2/3 |
| 8  | S632-2008 | -1 | 1800 | 405 | 18  | 2/3 |
| 9  | S632-3003 | -1 | 425  | 360 | 16  | 1/3 |
| 10 | S632-5004 | -1 | 836  | 127 | 15  | 1/3 |
| 11 | S632-9004 | -2 | 664  | 437 | 2,5 | 2/3 |
| 12 | S632-9005 | -1 | 846  | 357 | 2,5 | 1/3 |
| 13 | S632-9303 | -2 | 664  | 899 | 2,5 | 2/3 |
| 14 | WSK3-5005 | -5 | 350  | 140 | 12  | 1/3 |
| 15 | WSK3-5006 | -5 | 350  | 140 | 12  | 1/3 |



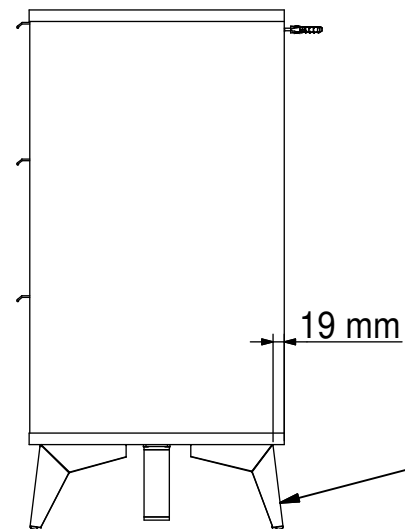
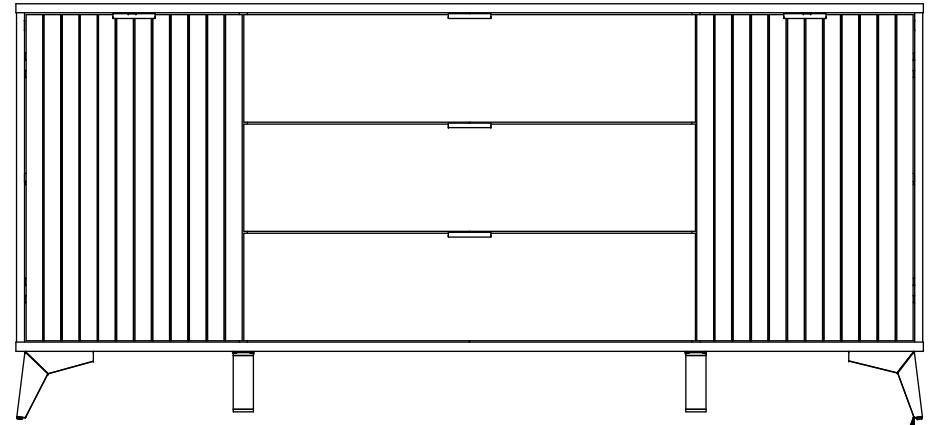



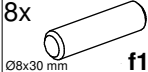

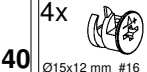



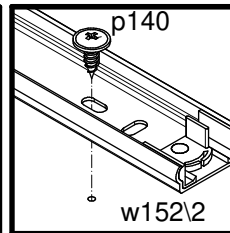
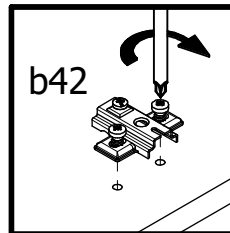
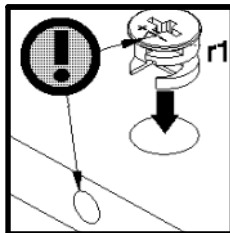
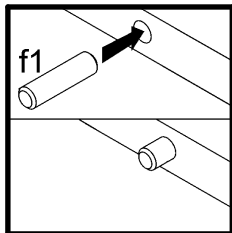
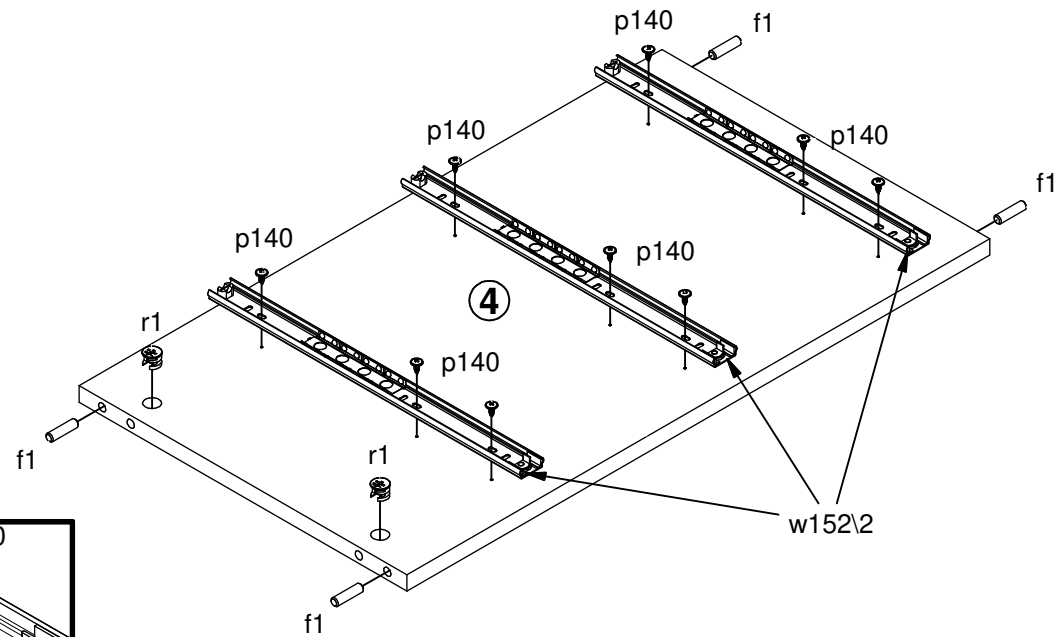
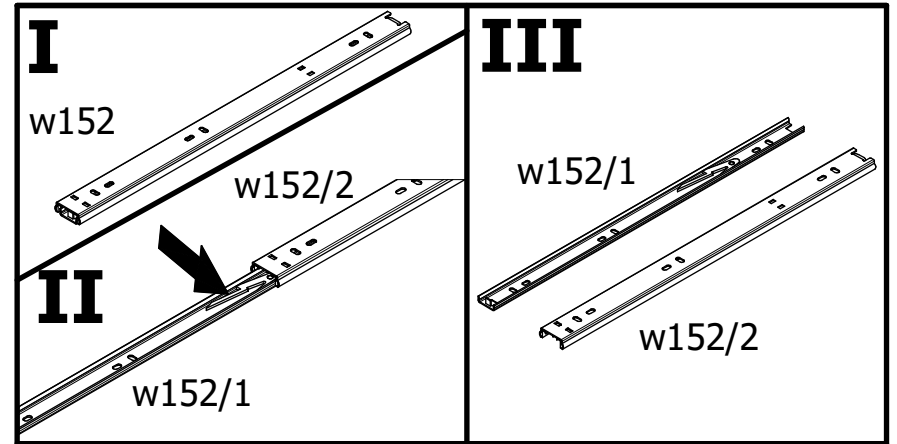
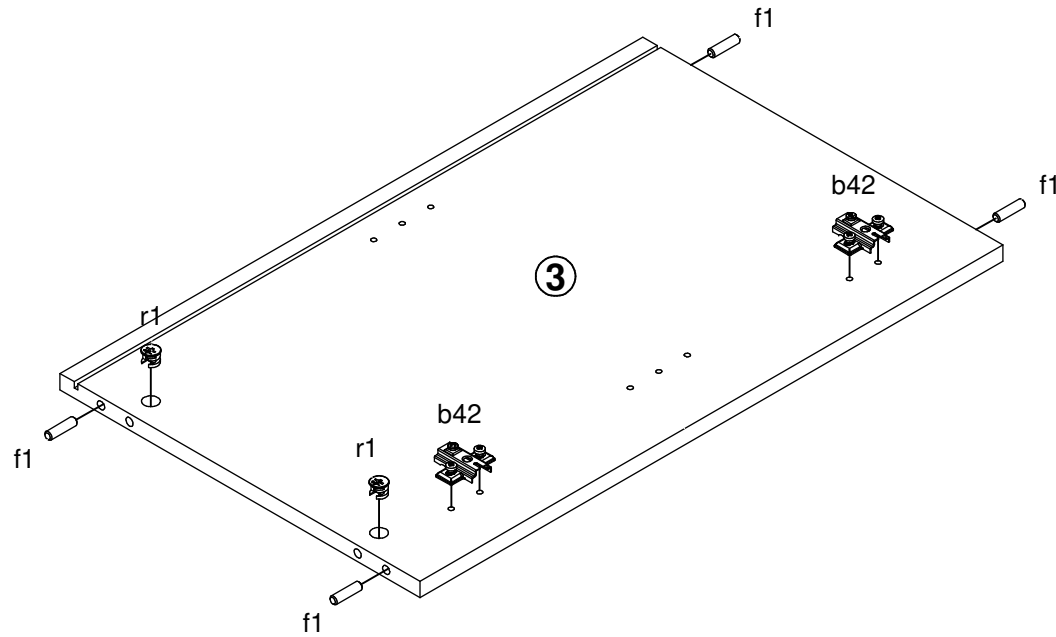
**A**

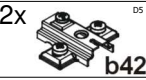
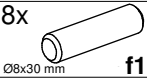
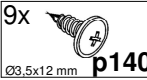
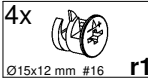
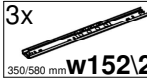


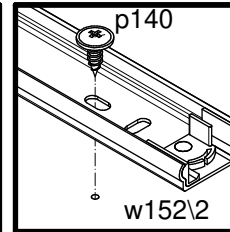
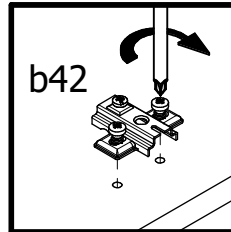
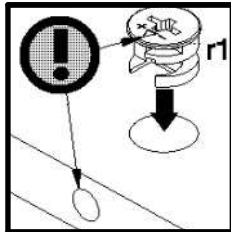
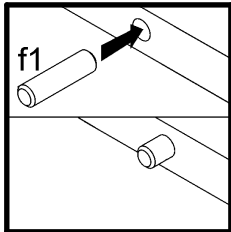
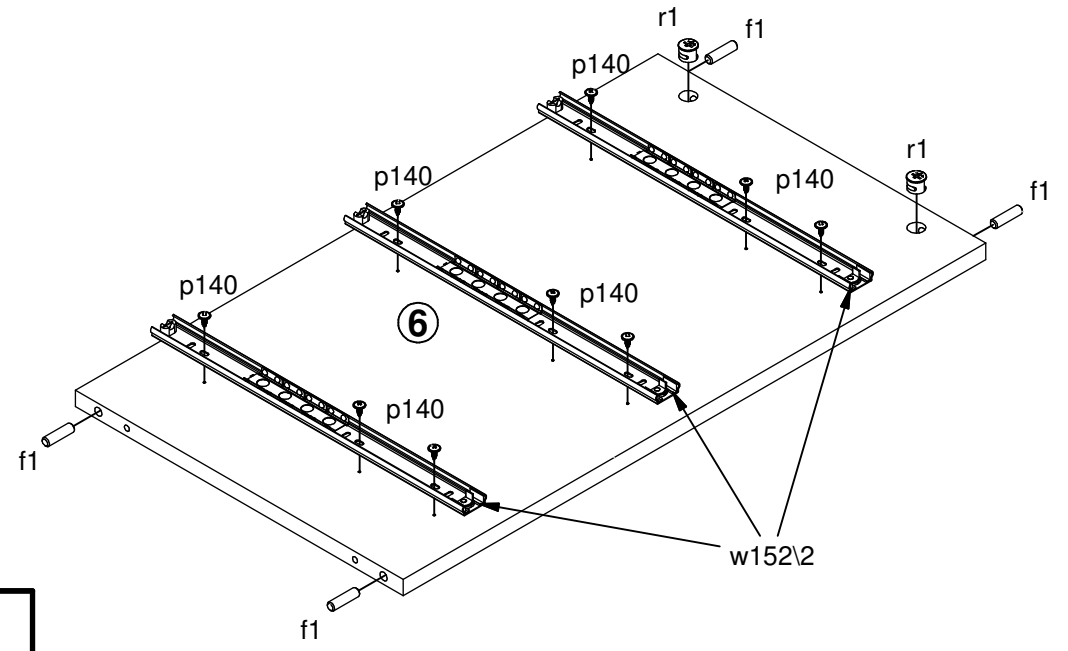
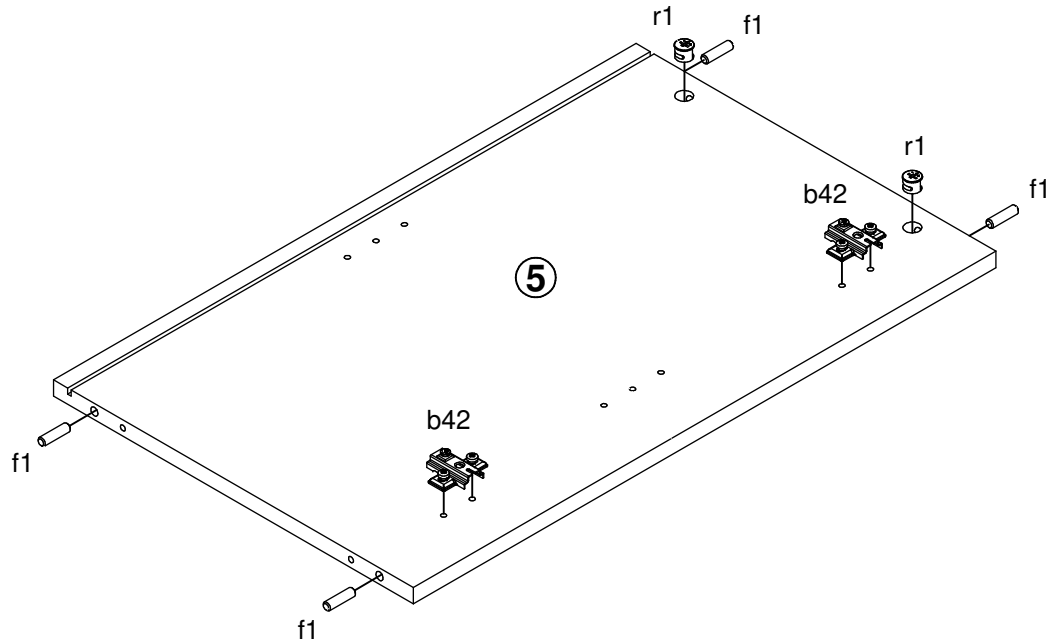
**B**

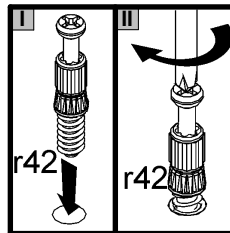
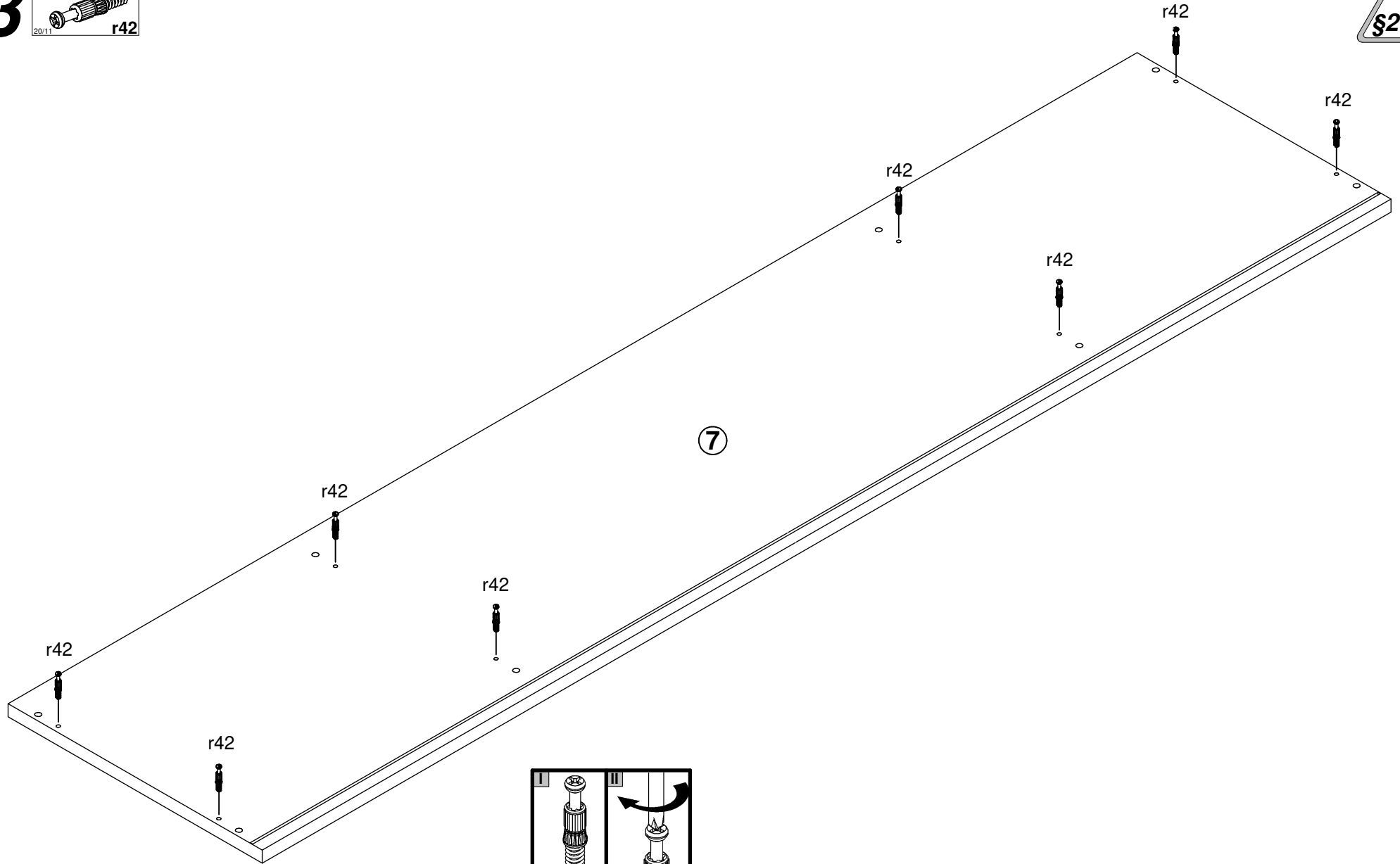
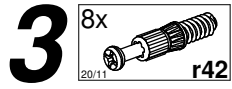


- 1** 2x  **b42**
- 8x  **f1**  
Ø8x30 mm
- 9x  **p140**  
Ø3,5x12 mm
- 4x  **r1**  
Ø15x12 mm #16
- 3x  **w152/2**  
350/580 mm

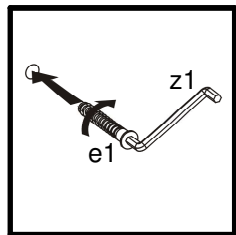
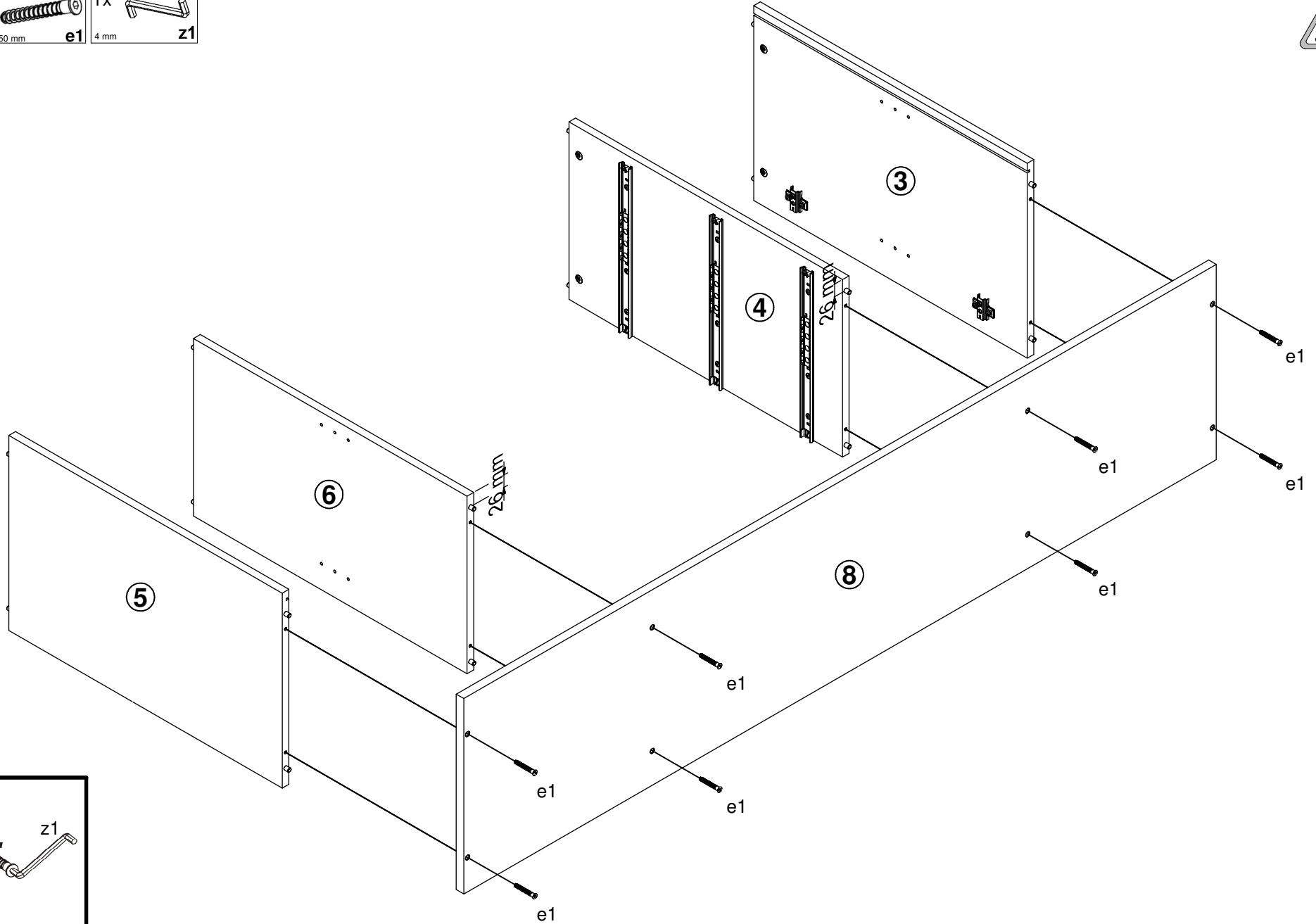
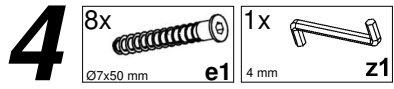


- 2x  b42
- 8x  f1 Ø8x30 mm
- 9x  p140 Ø3,5x12 mm
- 4x  r1 Ø15x12 mm #16
- 3x  w152/2 350/580 mm

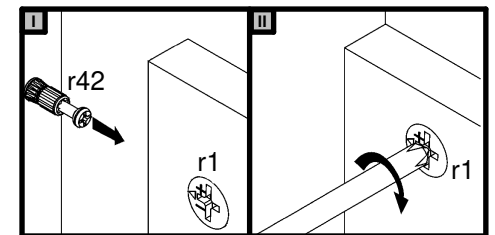
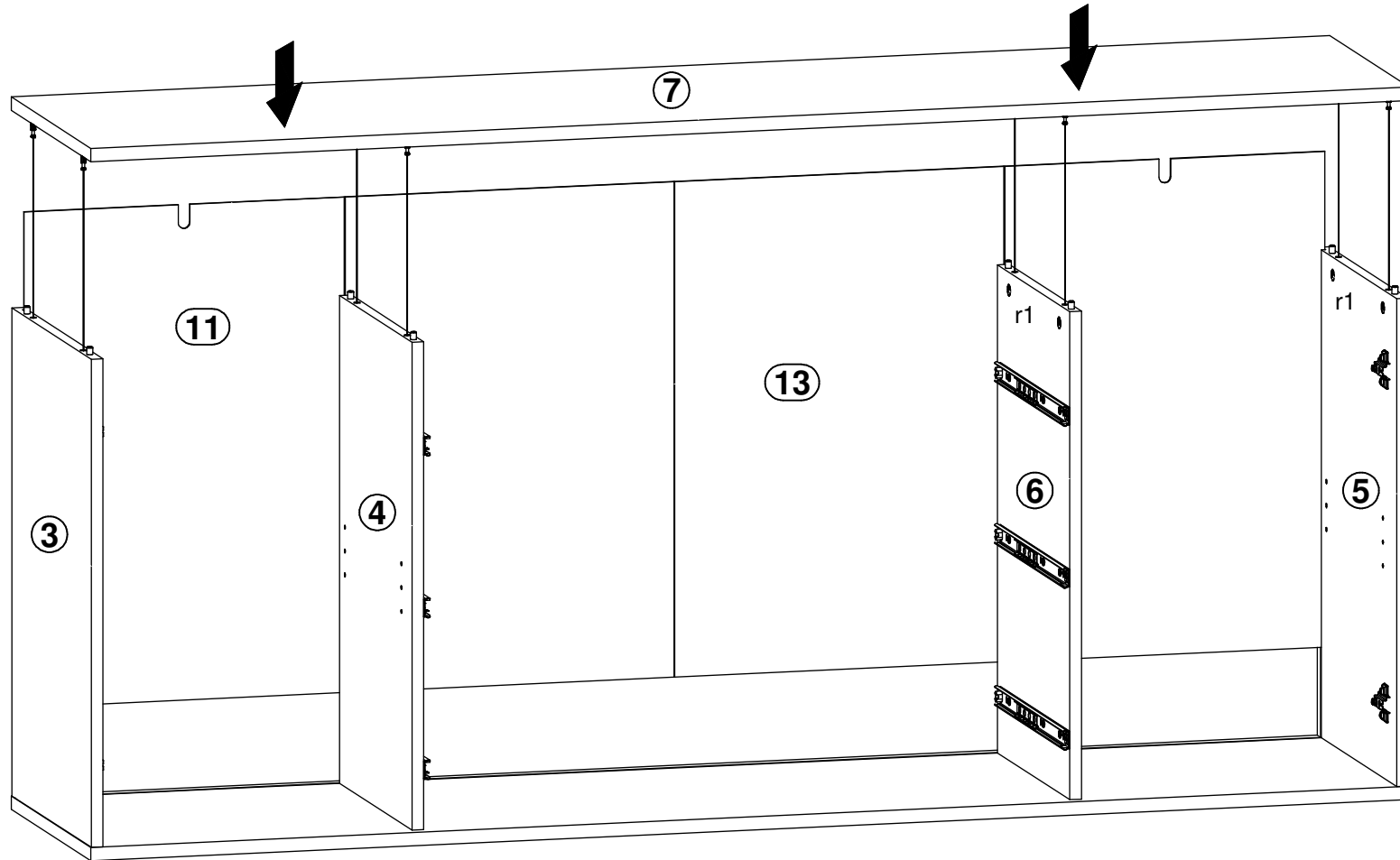




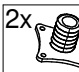
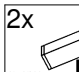

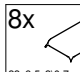
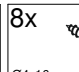
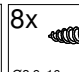


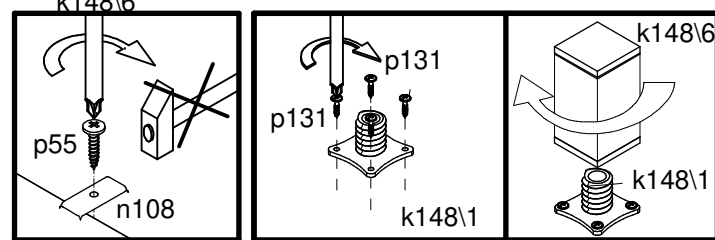
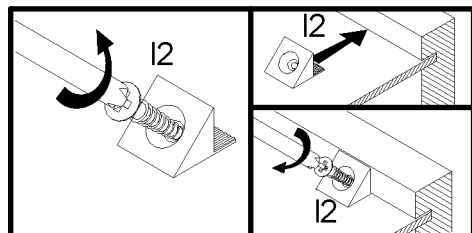
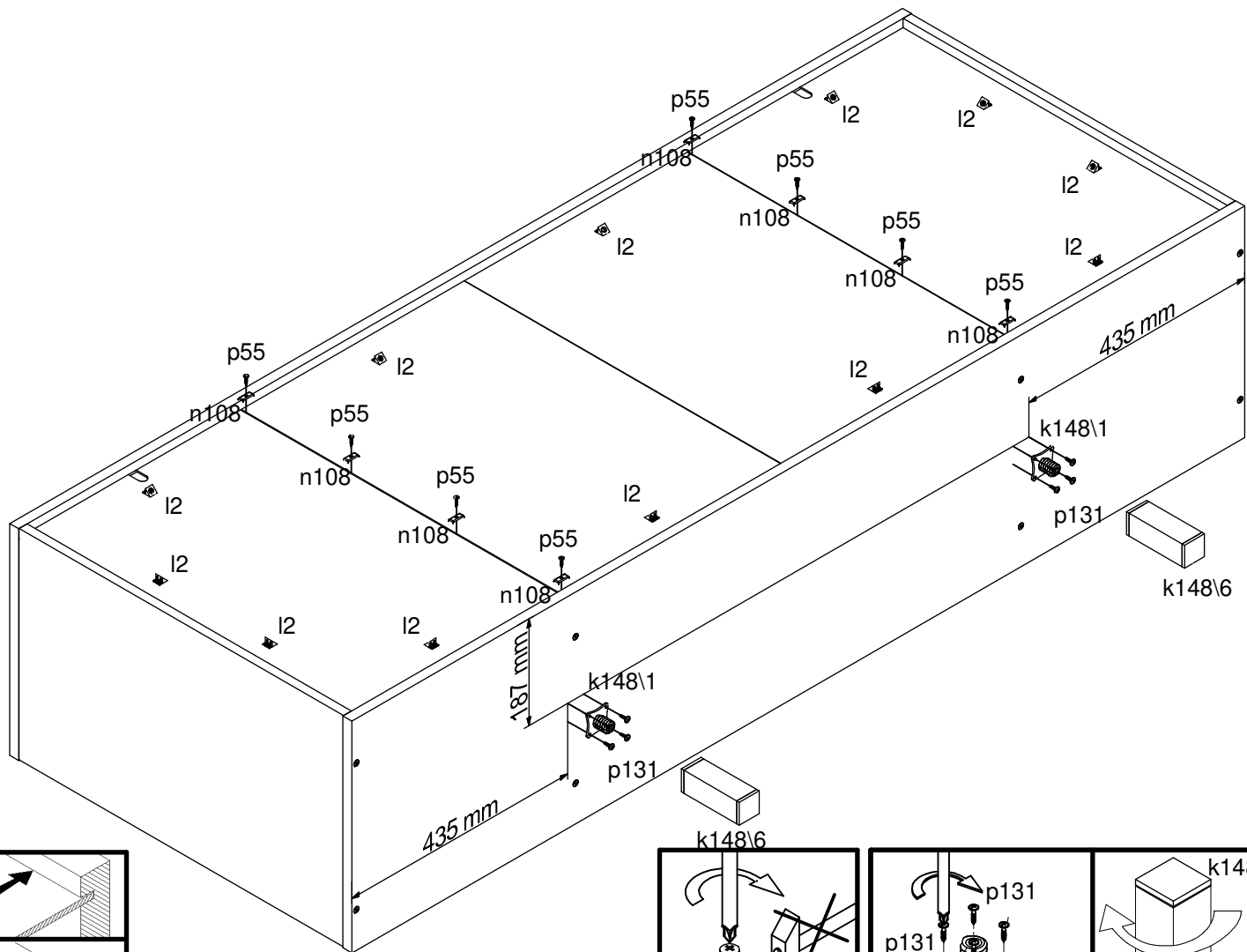
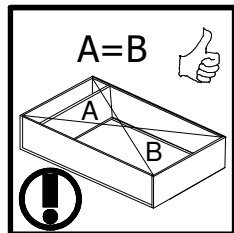


5

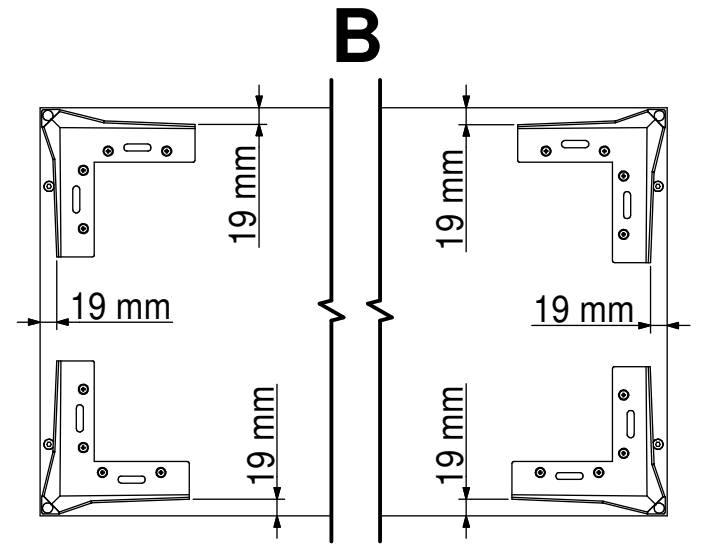
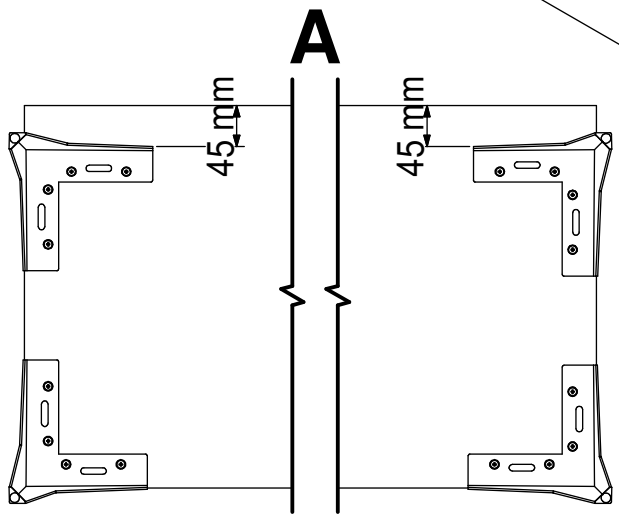
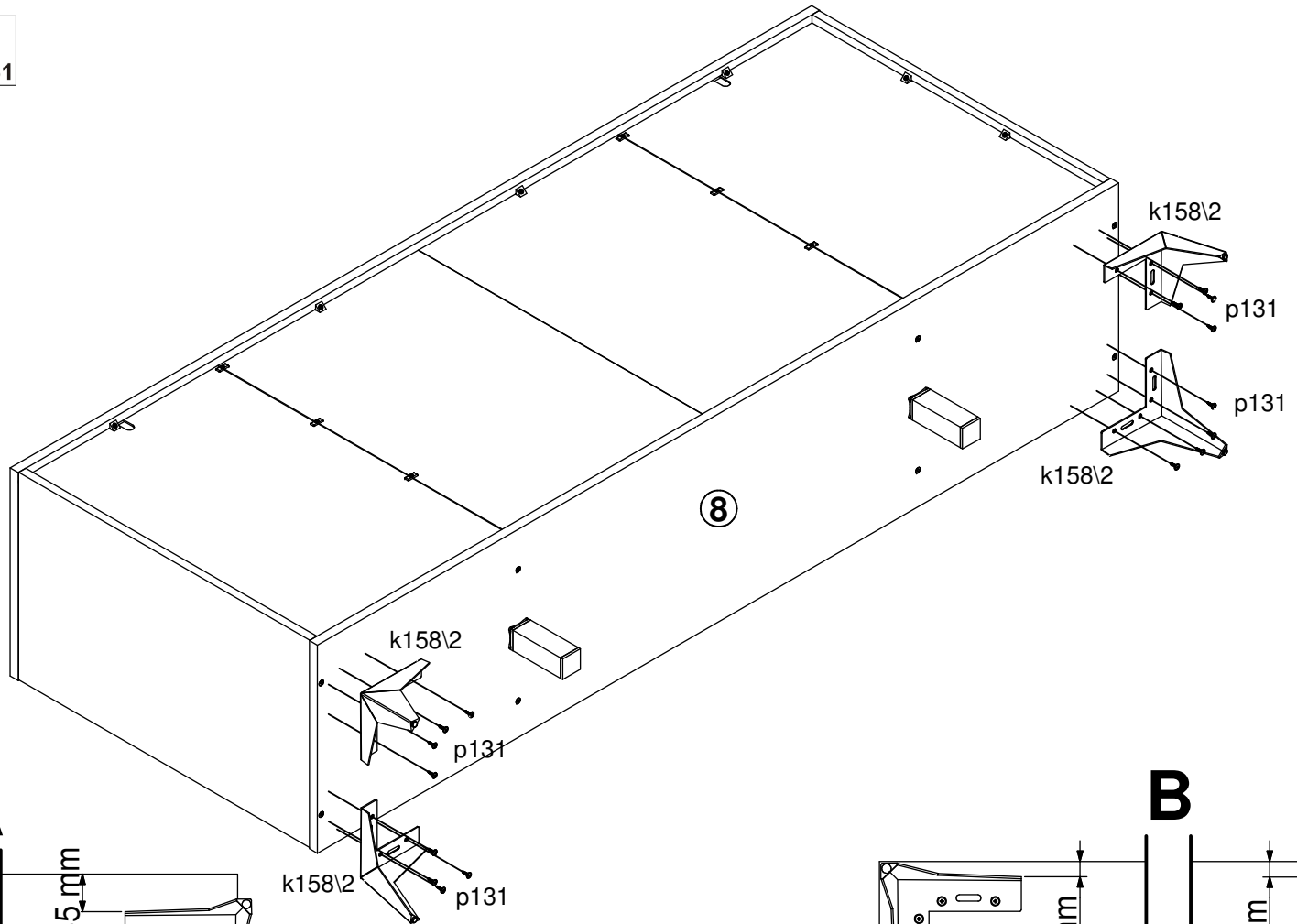


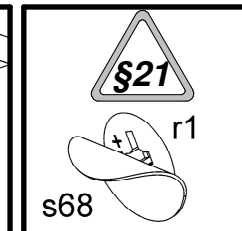
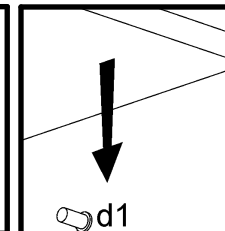
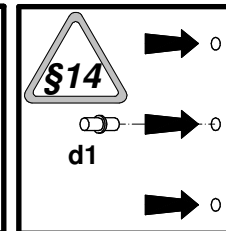
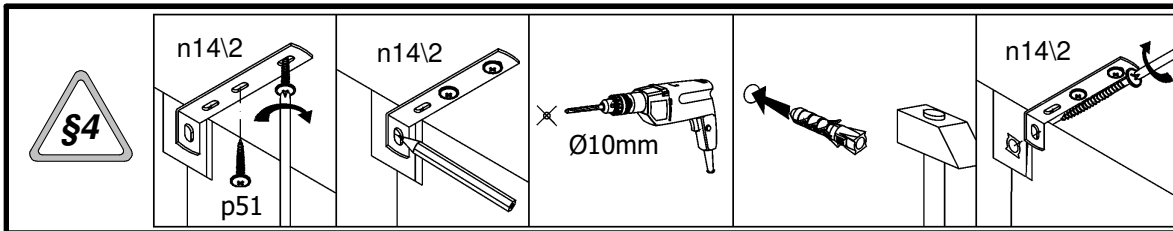
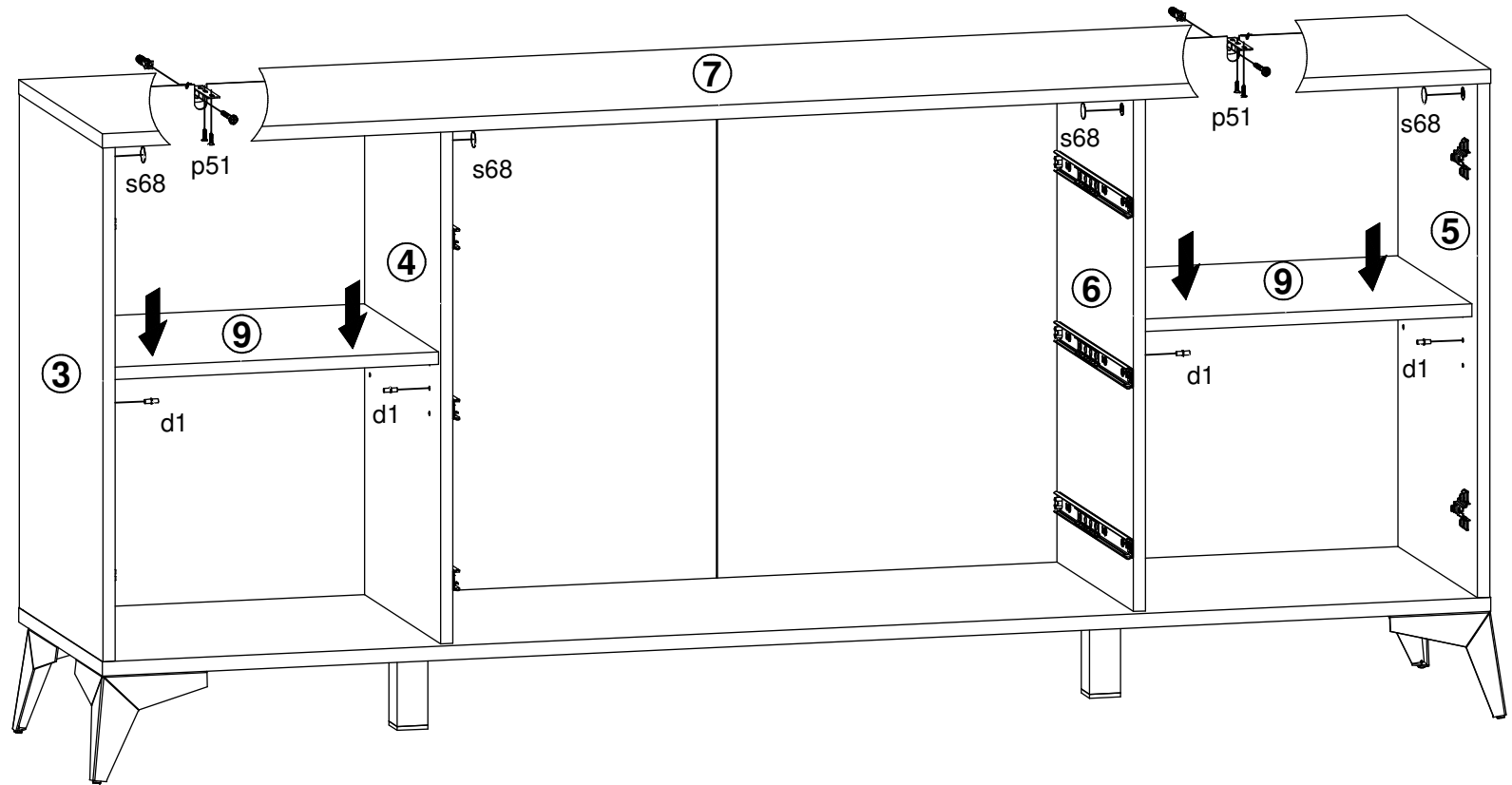
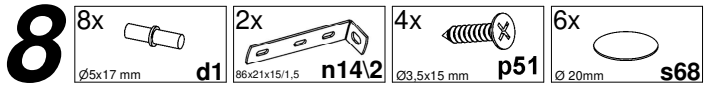
6

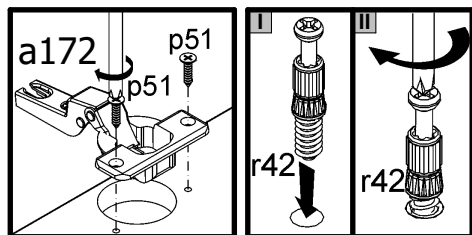
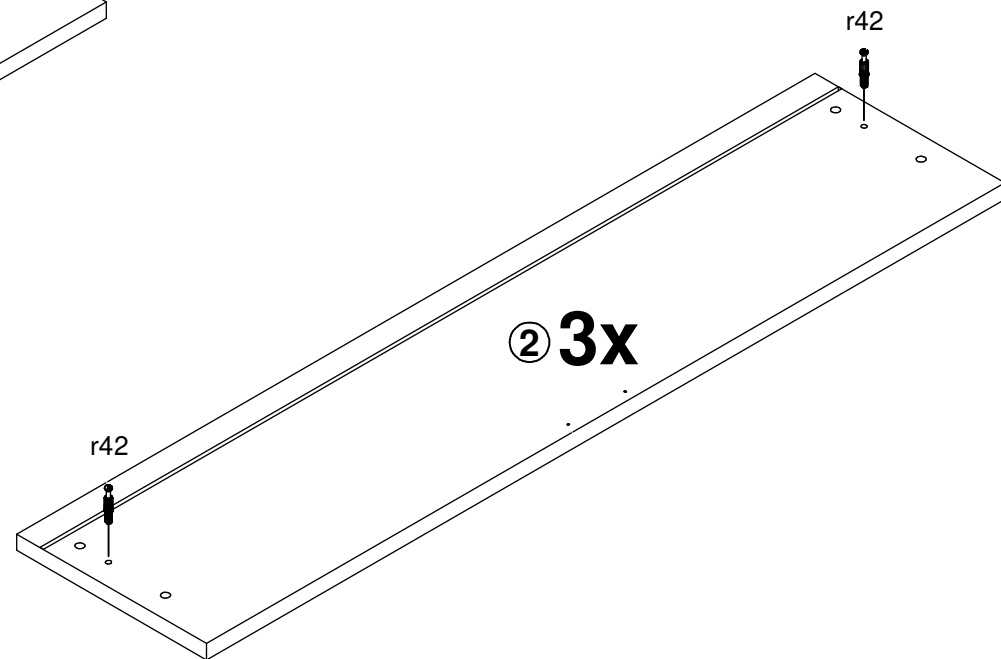
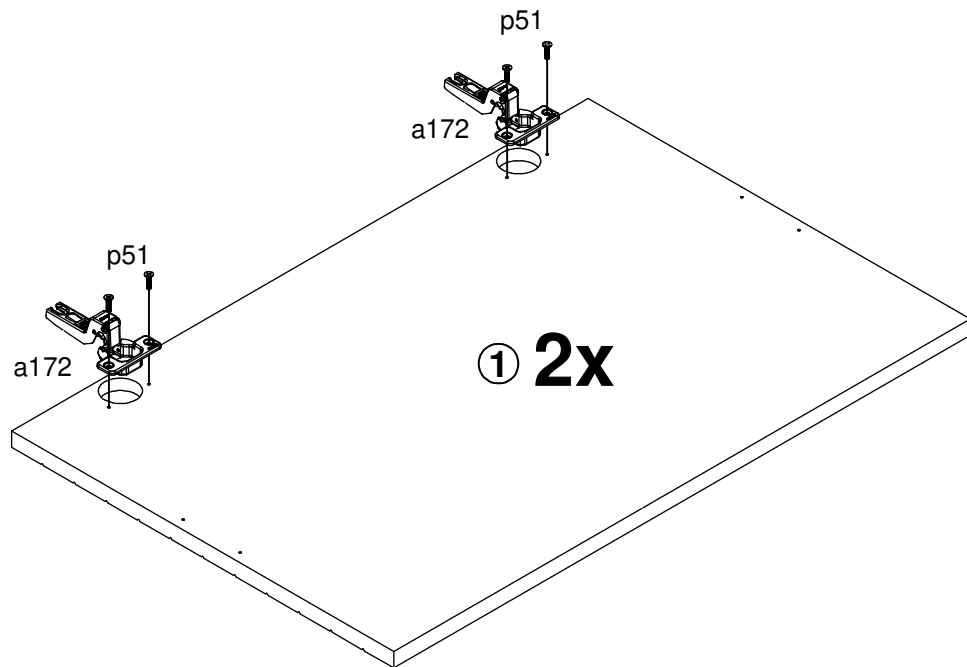
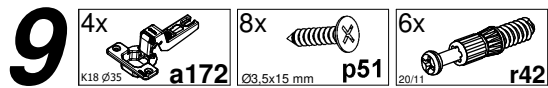
- 2x  k148\1
- 2x  k148\6
- 12x  l2
- 8x  n108
- 8x  p131
- 8x  p55



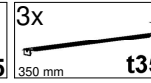
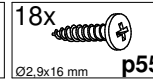
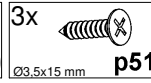
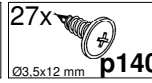
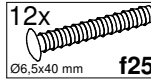
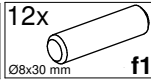
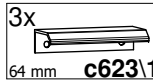
**7** 4x  k158\2 16x  p131 Ø4x16 mm







10



I 3x

II 3x

III 3x

