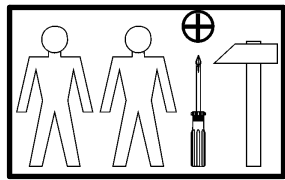


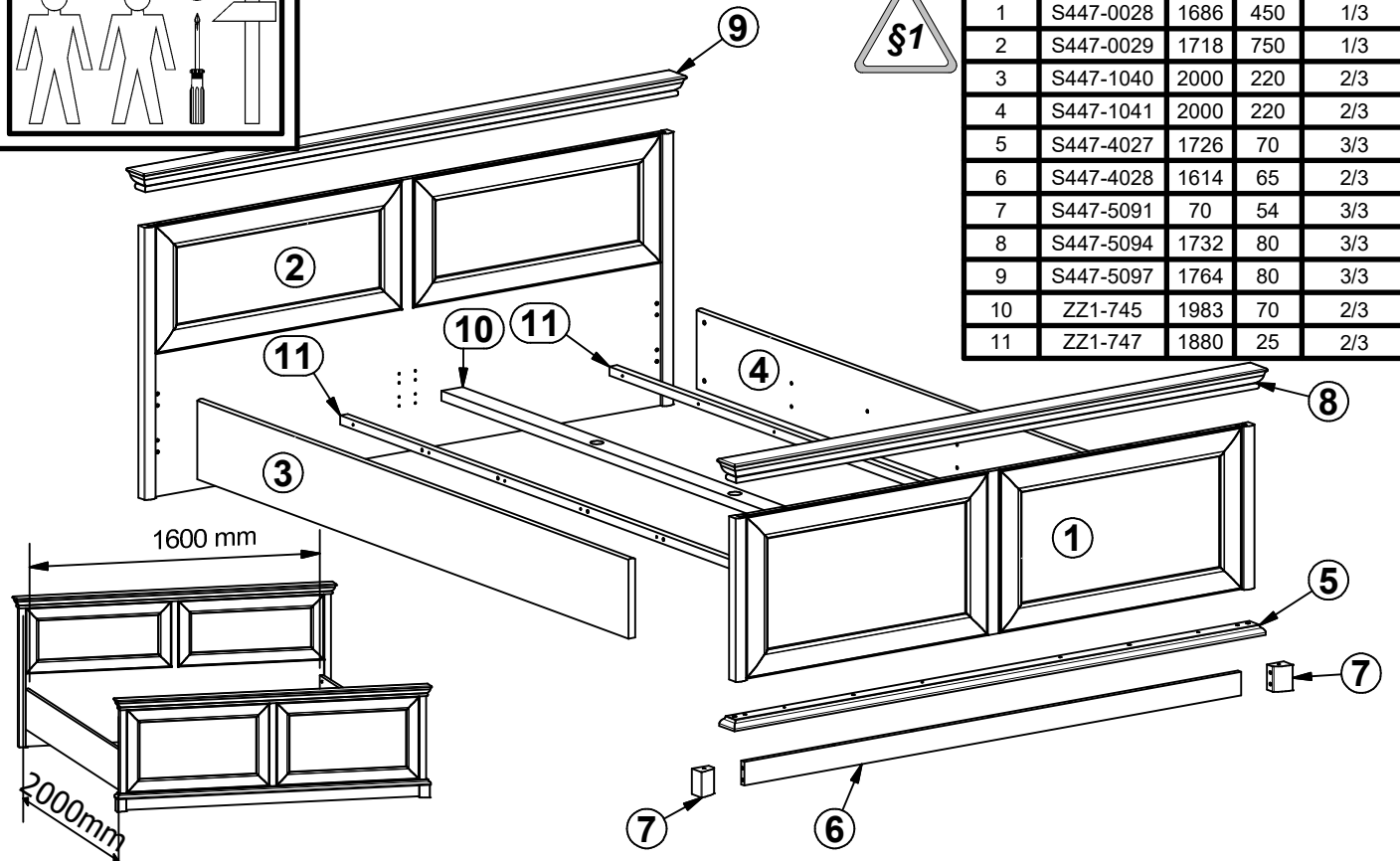
A

KENT

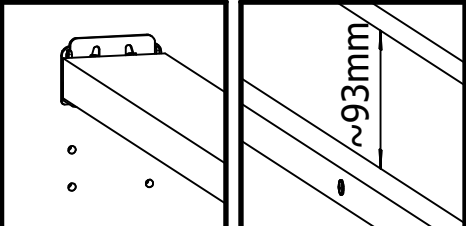
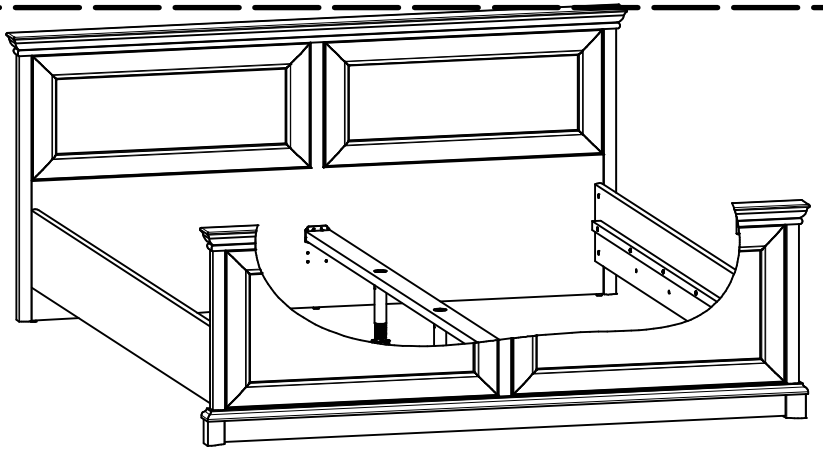
S447-ELOZ160



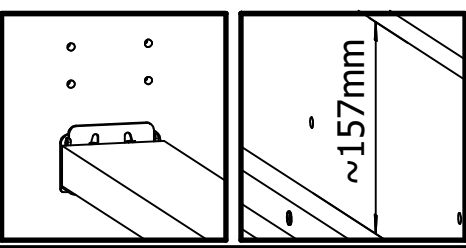
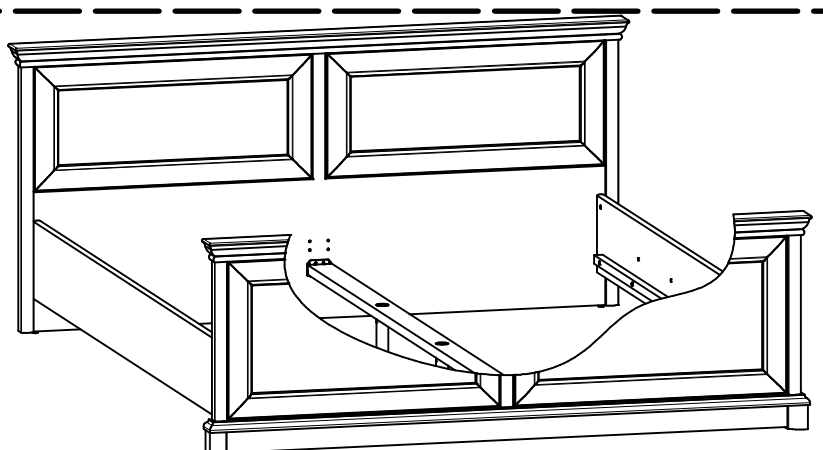
A	B	C	D	
1	S447-0028	1686	450	1/3
2	S447-0029	1718	750	1/3
3	S447-1040	2000	220	2/3
4	S447-1041	2000	220	2/3
5	S447-4027	1726	70	3/3
6	S447-4028	1614	65	2/3
7	S447-5091	70	54	3/3
8	S447-5094	1732	80	3/3
9	S447-5097	1764	80	3/3
10	ZZ1-745	1983	70	2/3
11	ZZ1-747	1880	25	2/3



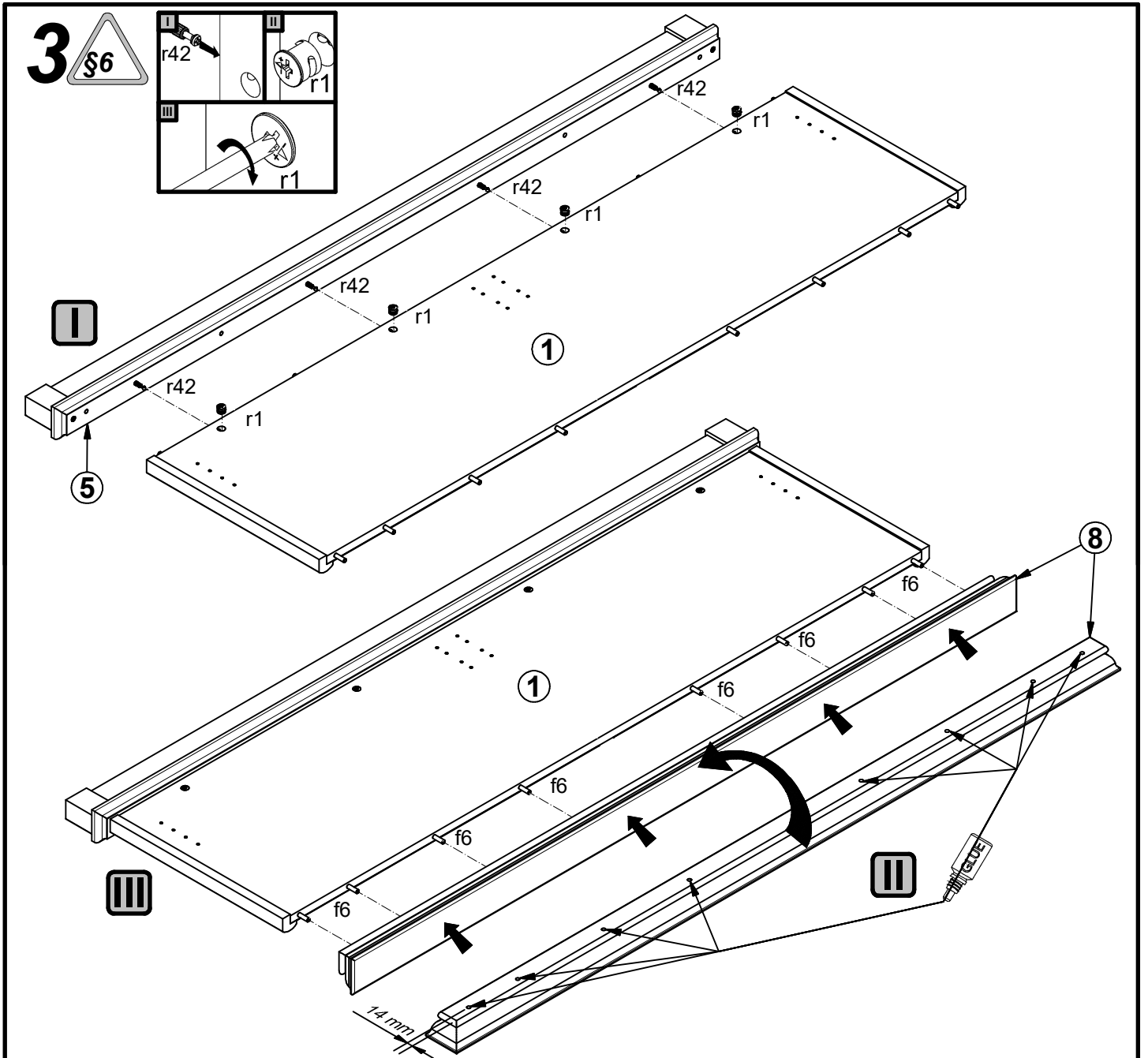
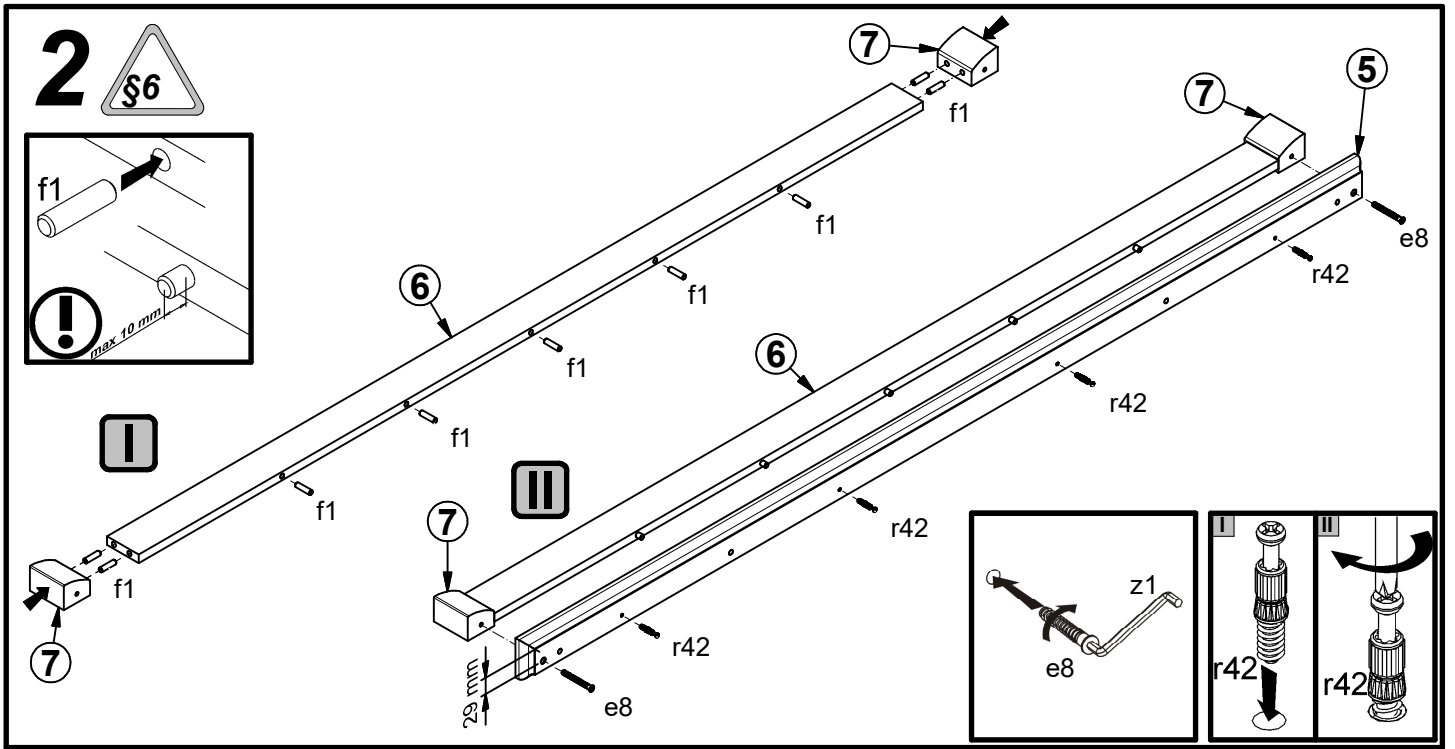
§14 A

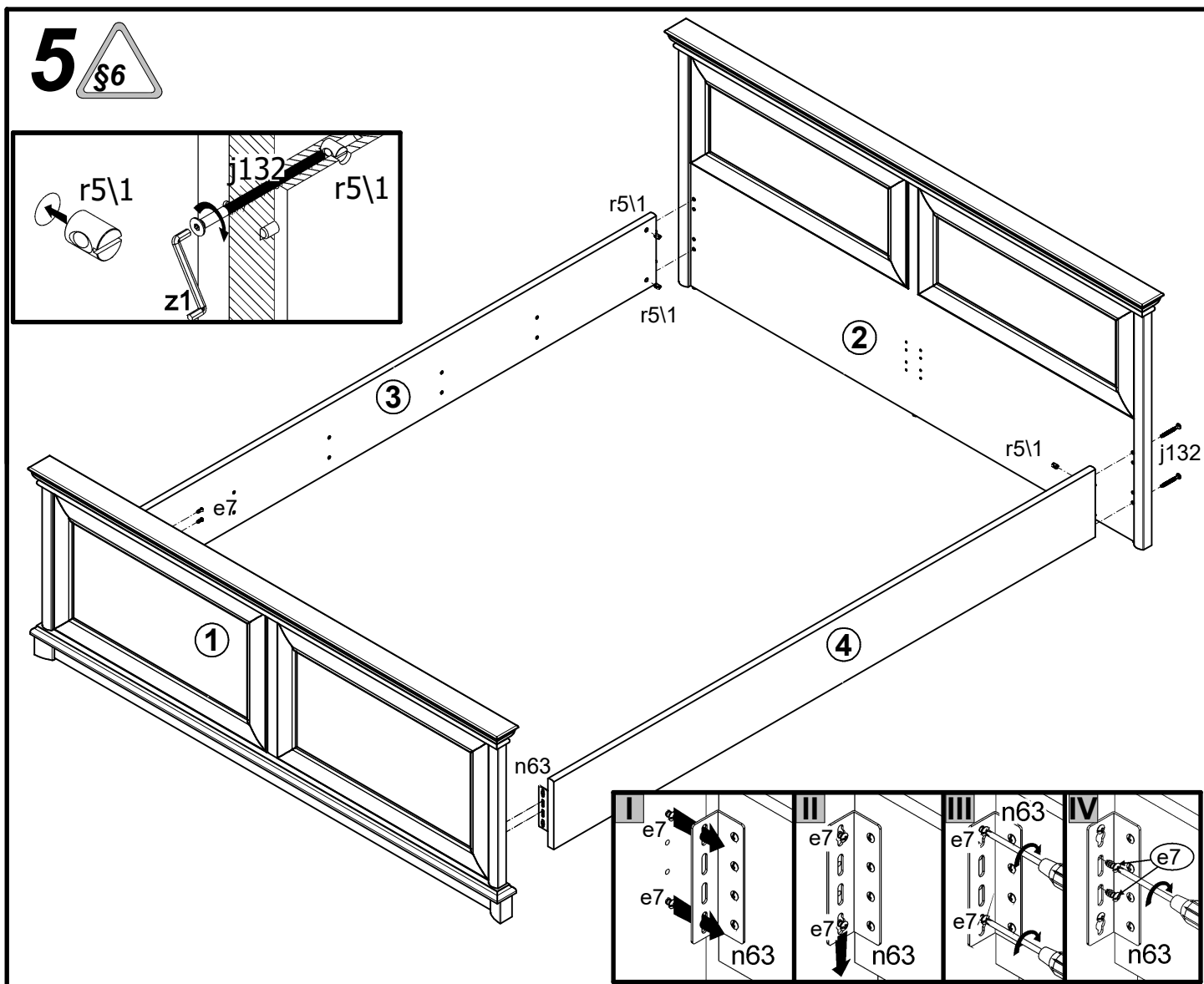
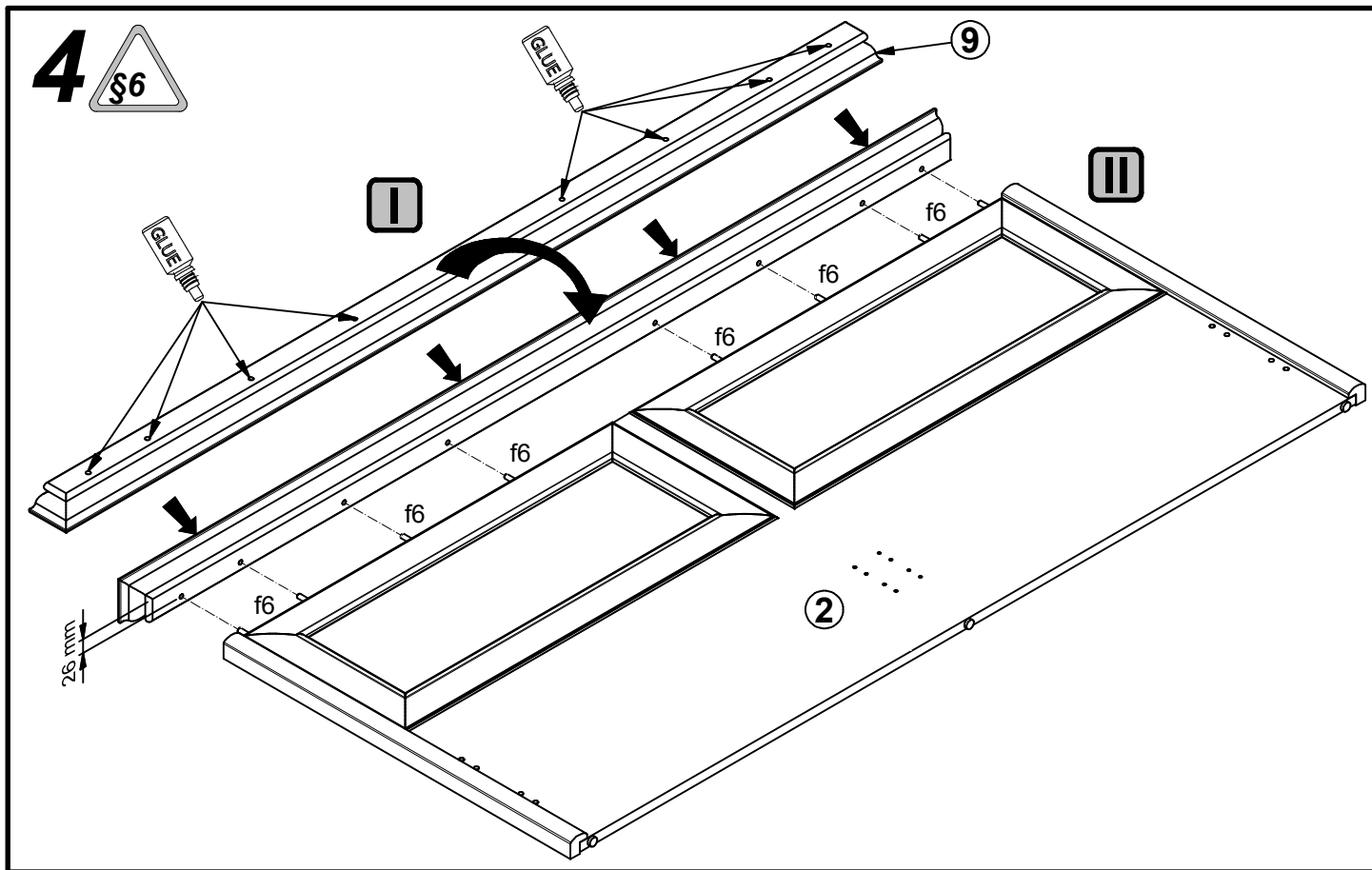


§14 B

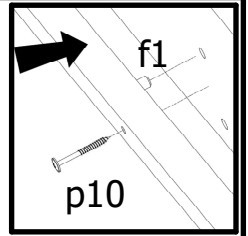
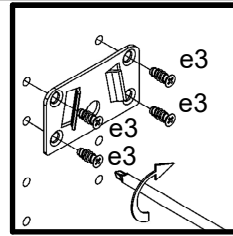
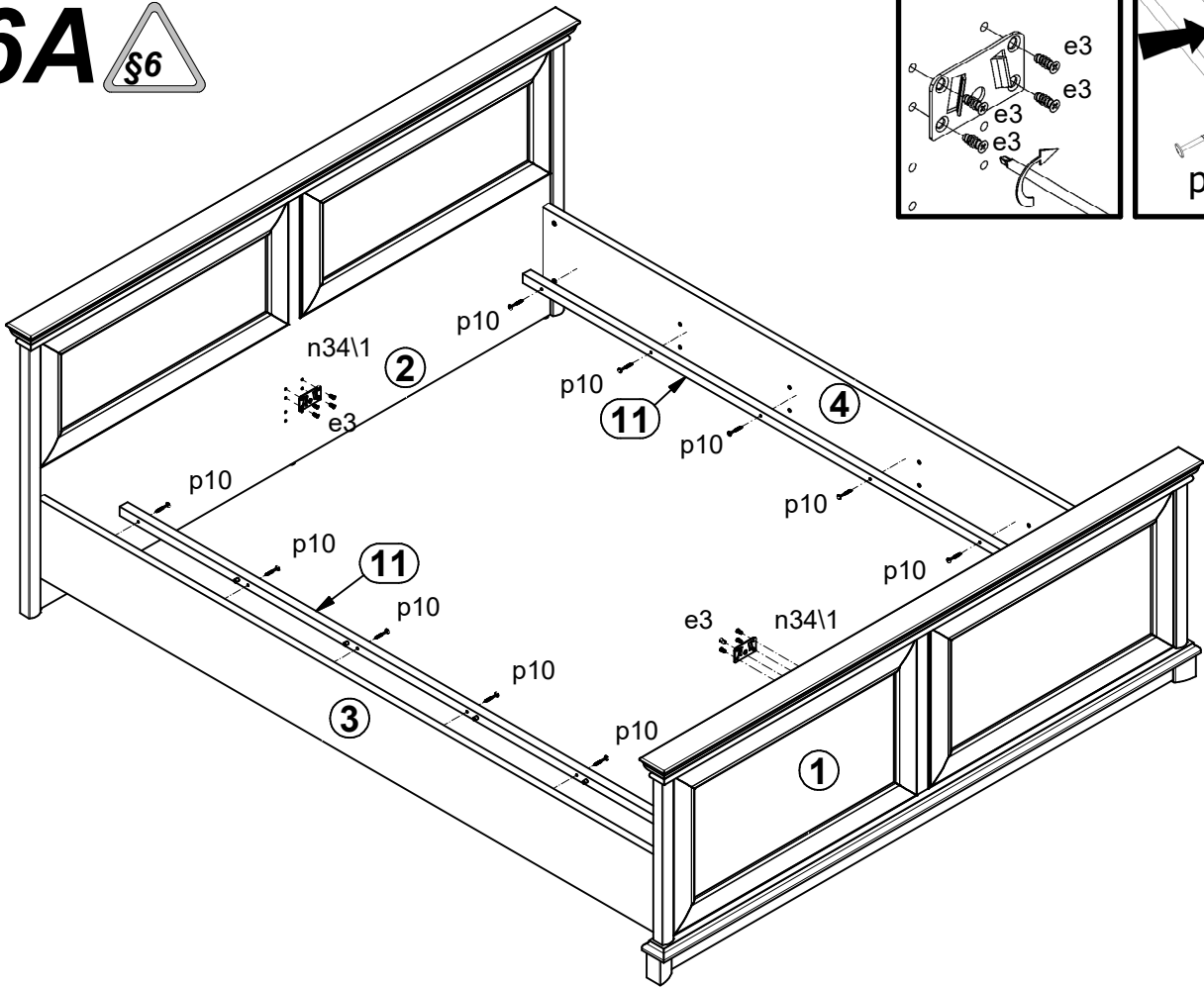


- 8x **e3**
Ø6x13 mm
- 16x **e7**
Ø6.3x16 mm
- 2x **e8**
Ø7x60 mm
- 25x **f1**
Ø8x30 mm
- 16x **f6**
Ø8x50 mm
- 4x **j132**
M6x65 mm
- 3x **k1**
- 2x **k2411**
- 2x **k2412**
- 2x **n3411**
- 2x **n3412**
- 2x **n63**
130x34x34/2 mm
- 6x **p6**
Ø4x35 mm
- 12x **p10**
Ø4x40 mm
- 6x **p16**
Ø3.5x25 mm
- 4x **r1**
Ø15x12 mm #16
- 4x **r42**
20/11
- 4x **r511**
Ø10x13 mm
- 4x **s2**
Ø16
- 1x **y1**
30g
- 1x **z1**
4 mm

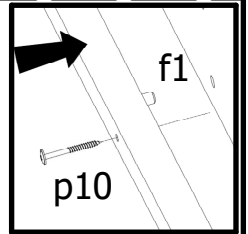
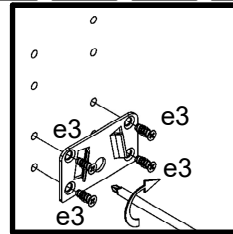
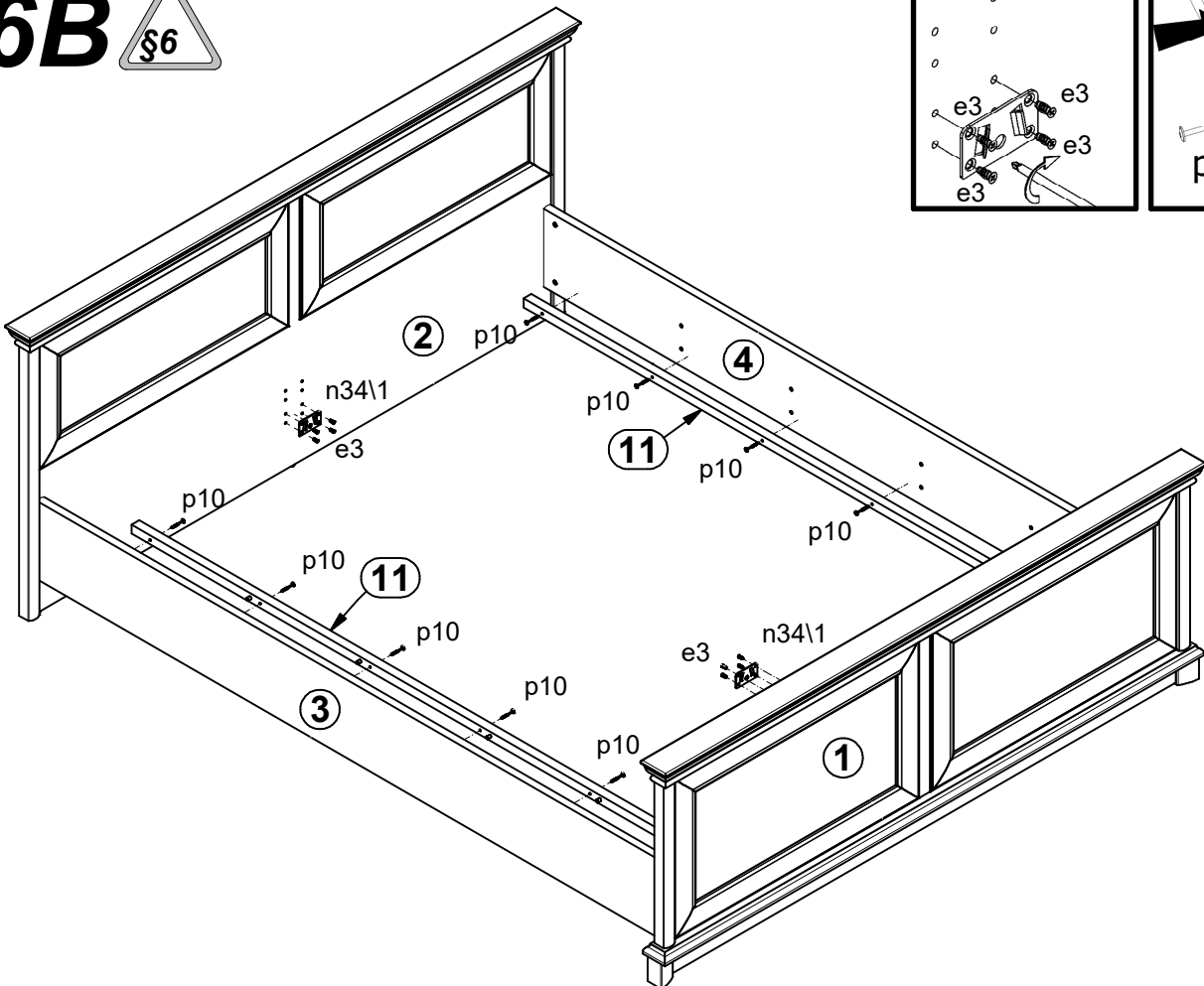




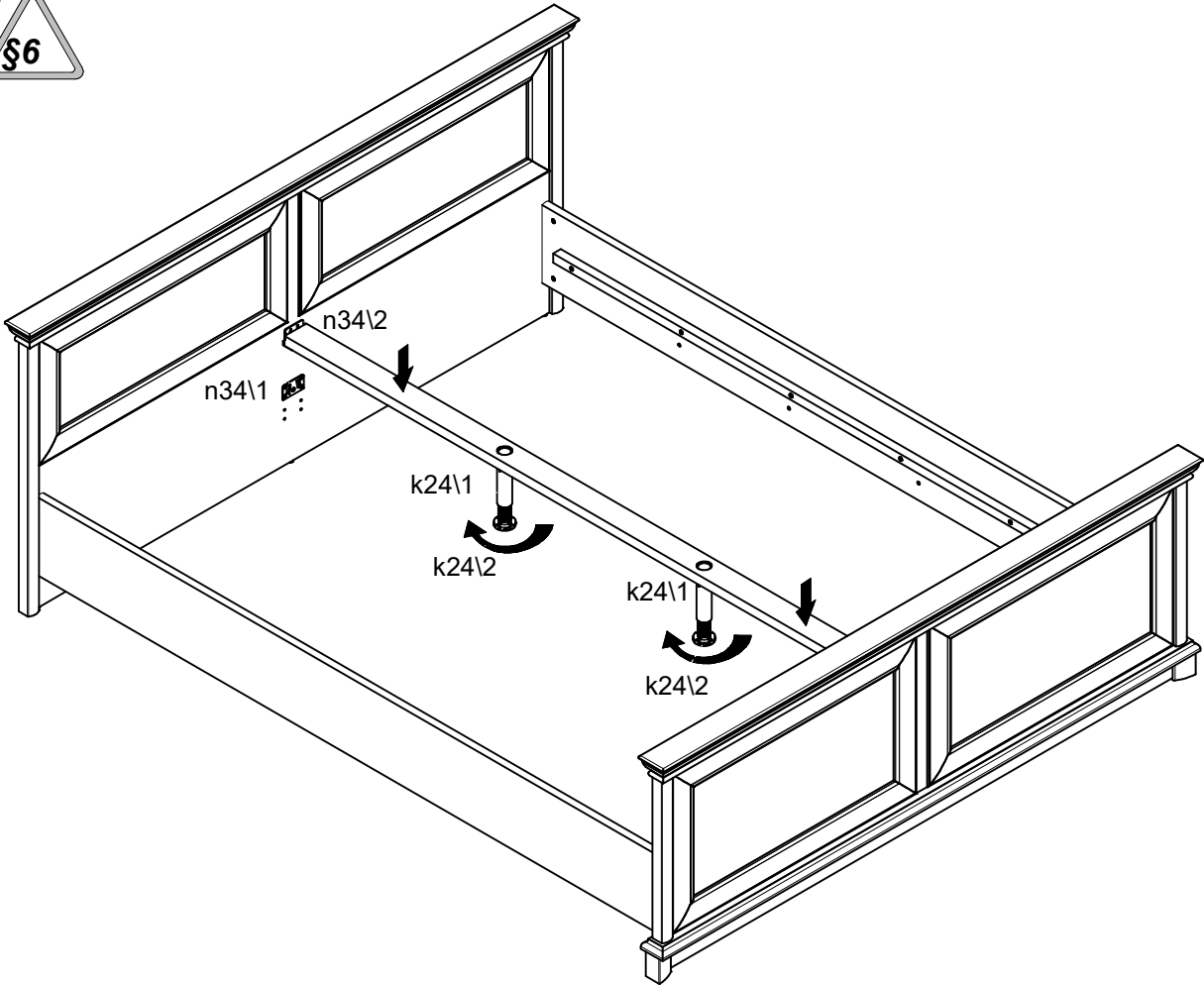
6A



6B



7 §6



8 §14

