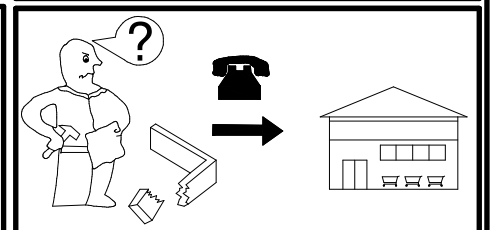
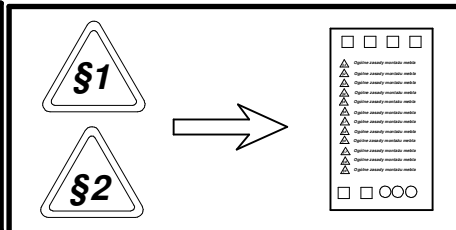
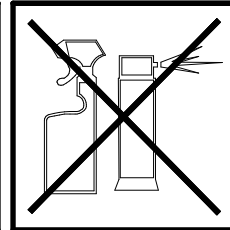
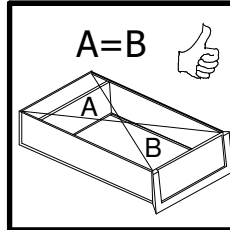
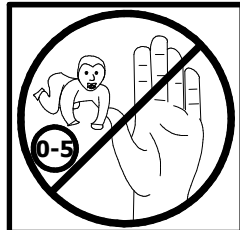
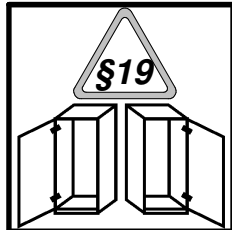
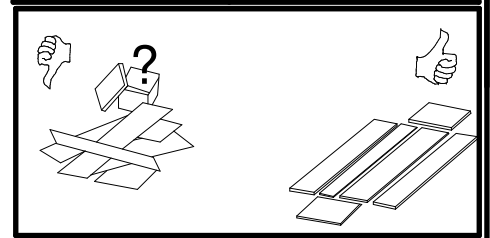
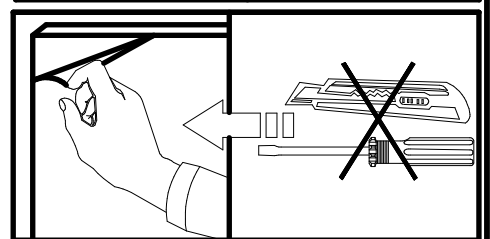
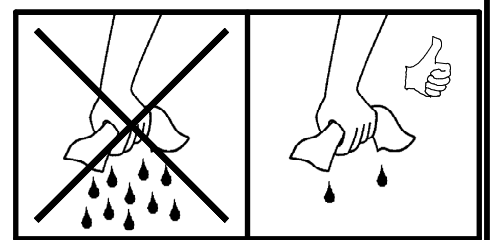
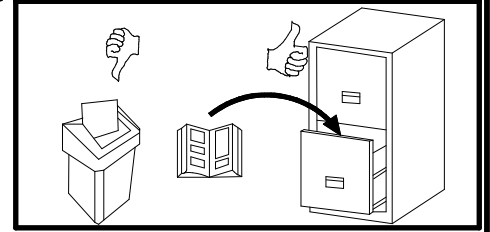
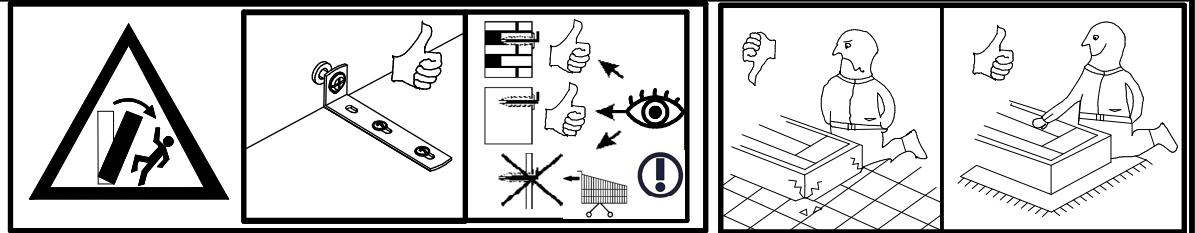
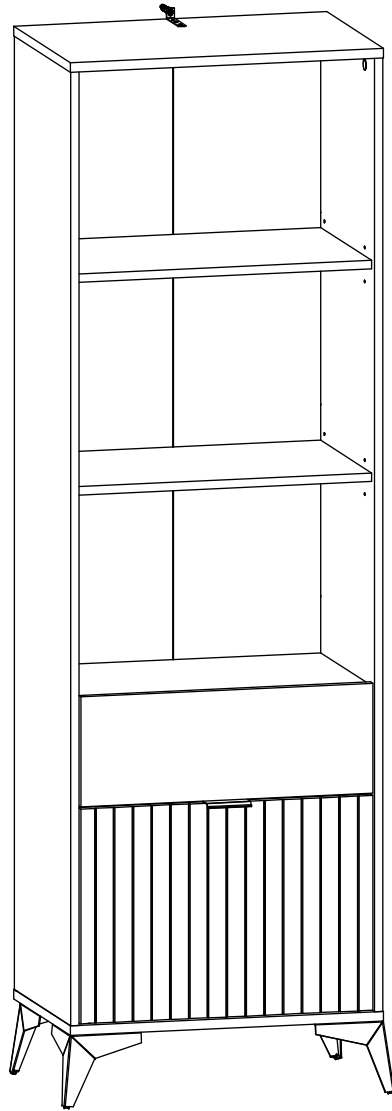
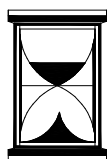
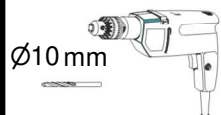
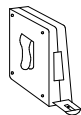
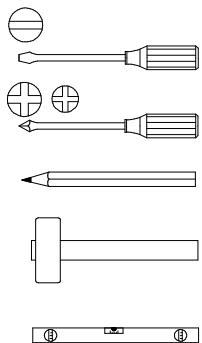
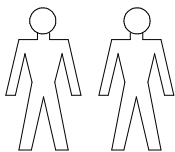


A

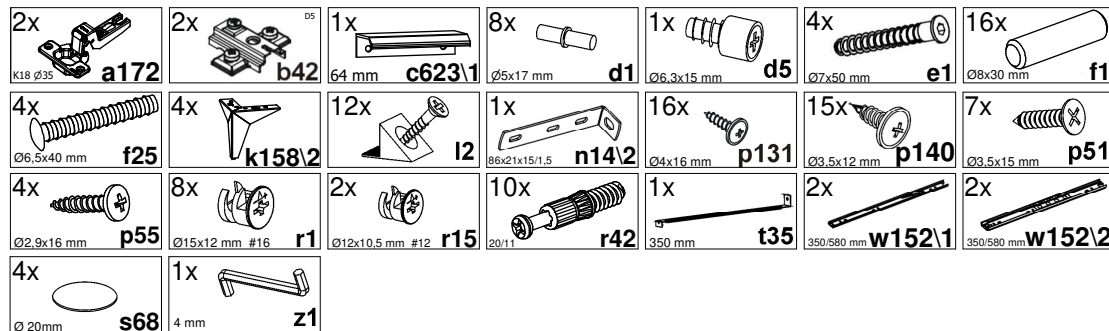
S632-REG1D1S

LAMEA

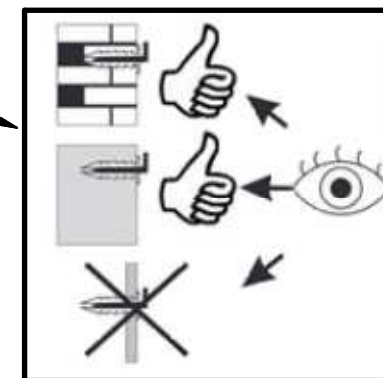
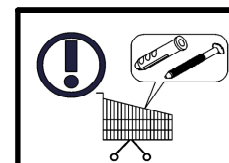


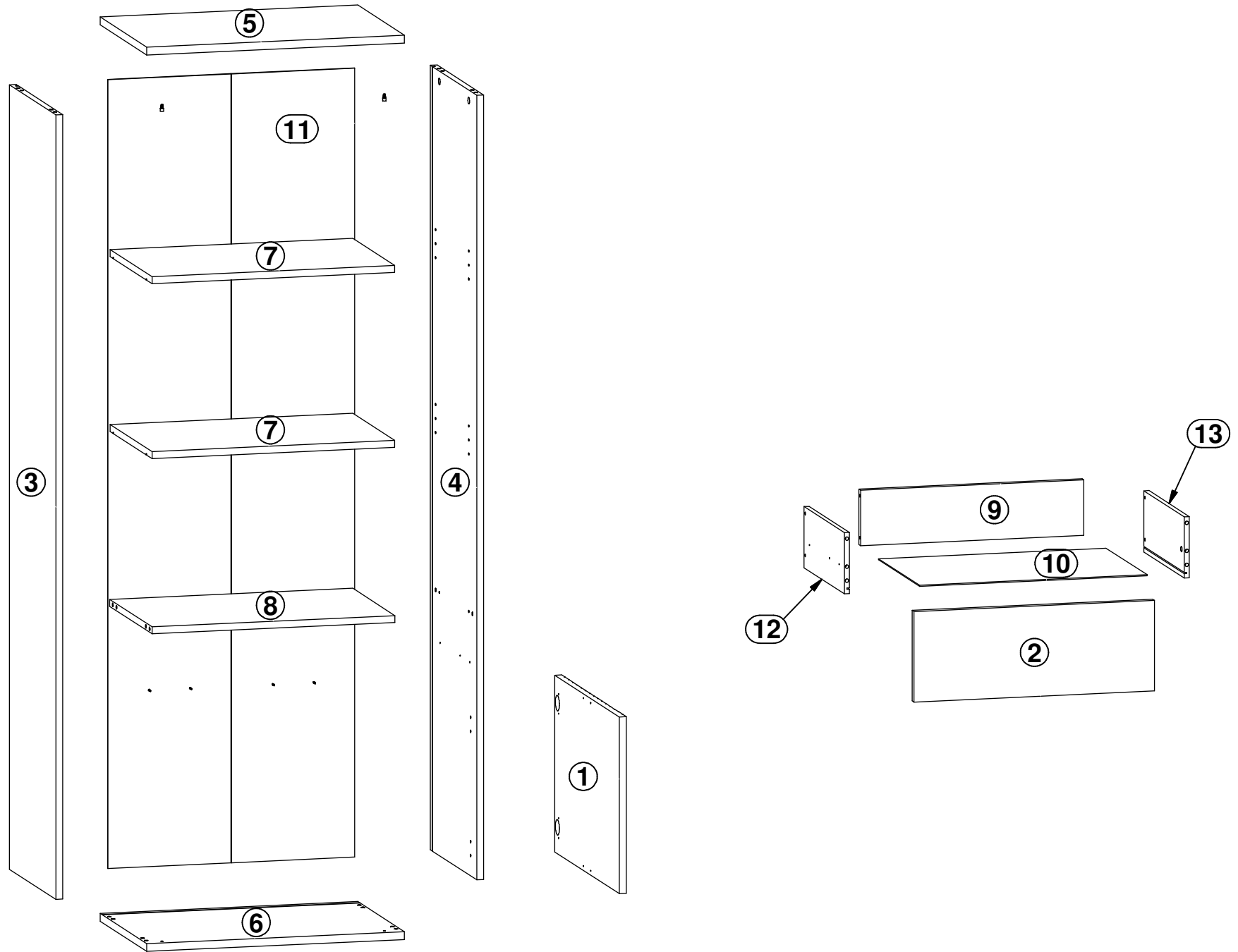


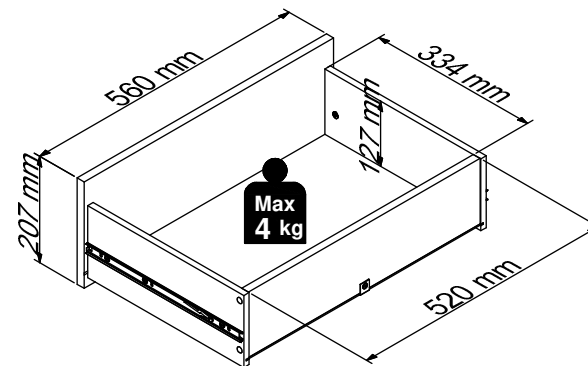
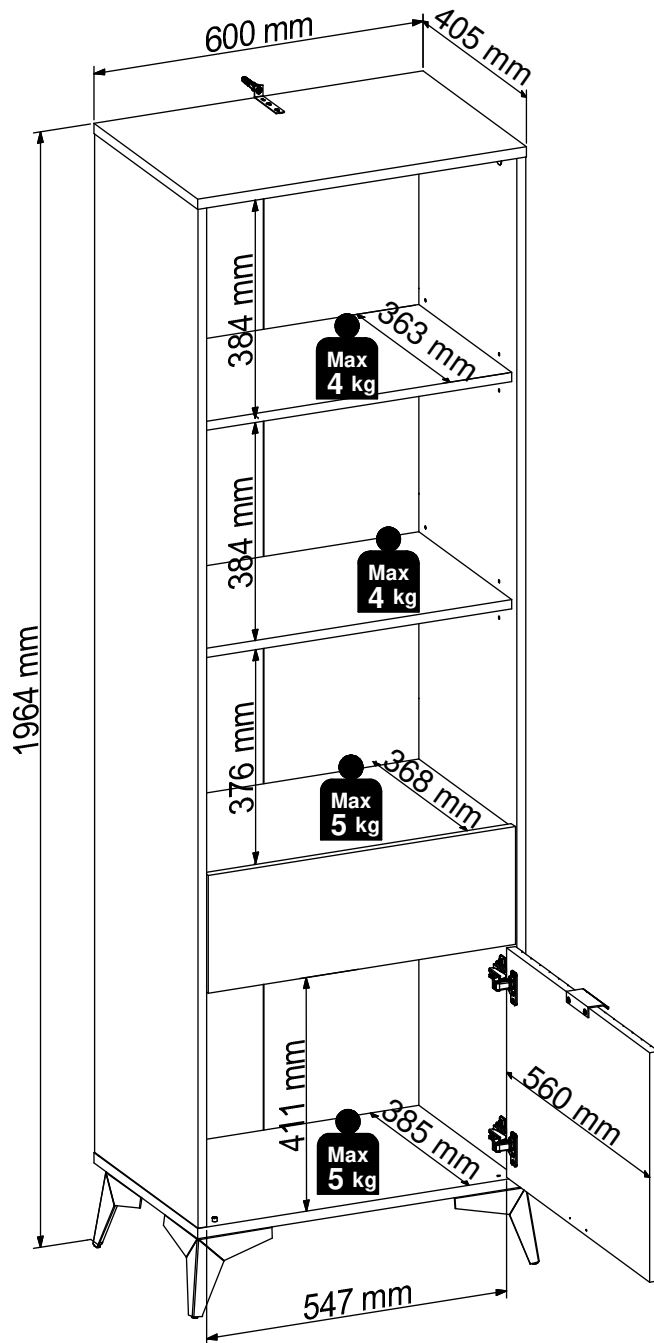
40 min



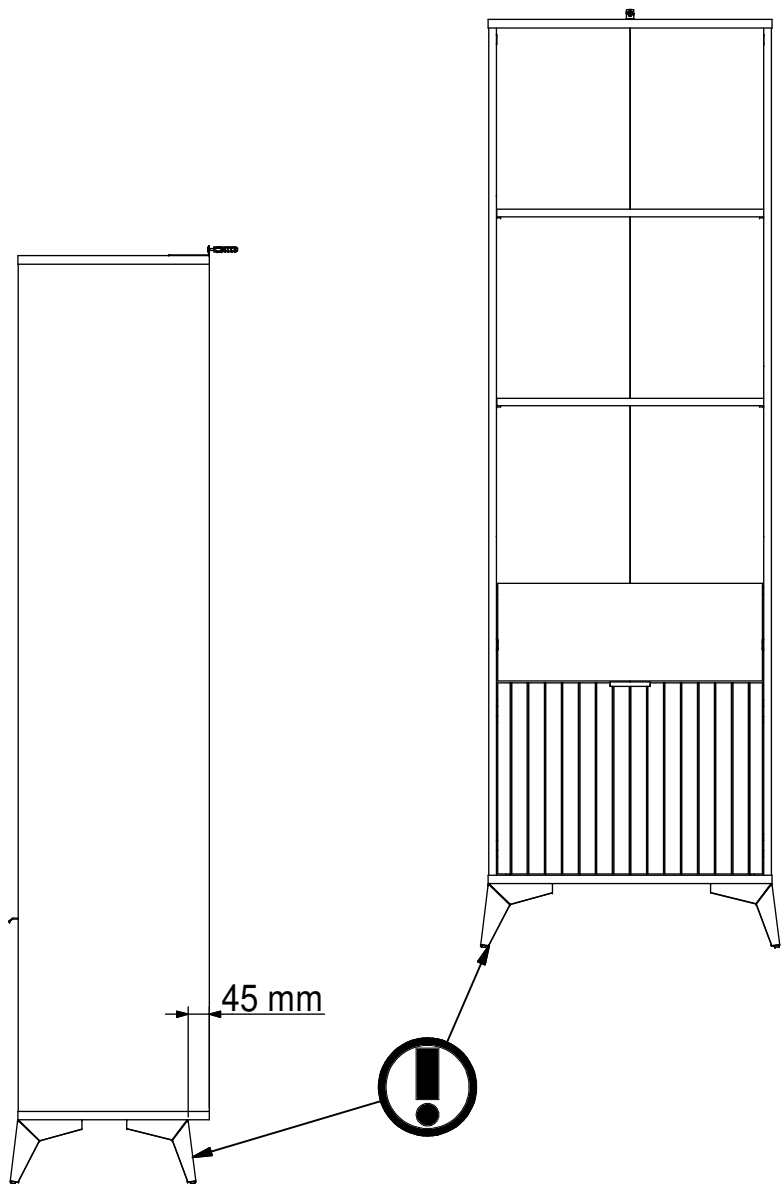
A	B1	B2	C1	C2	C3	D
1	S632-0008	-2	404	560	16	1/3
2	S632-0010	-1	560	207	16	1/3
3	S632-1011	-2	1794	404	16	2/3
4	S632-1012	-2	1794	404	16	2/3
5	S632-2009	-2	600	405	18	1/3
6	S632-2011	-1	600	405	18	1/3
7	S632-3005	-1	565	363	16	1/3
8	S632-3006	-1	566	367	16	1/3
9	S632-5005	-1	520	127	15	1/3
10	S632-9006	-1	530	357	2,5	1/3
11	S632-9304	-2	1804	575	2,5	2/3
12	WSK3-5005	-5	350	140	12	1/3
13	WSK3-5006	-5	350	140	12	1/3



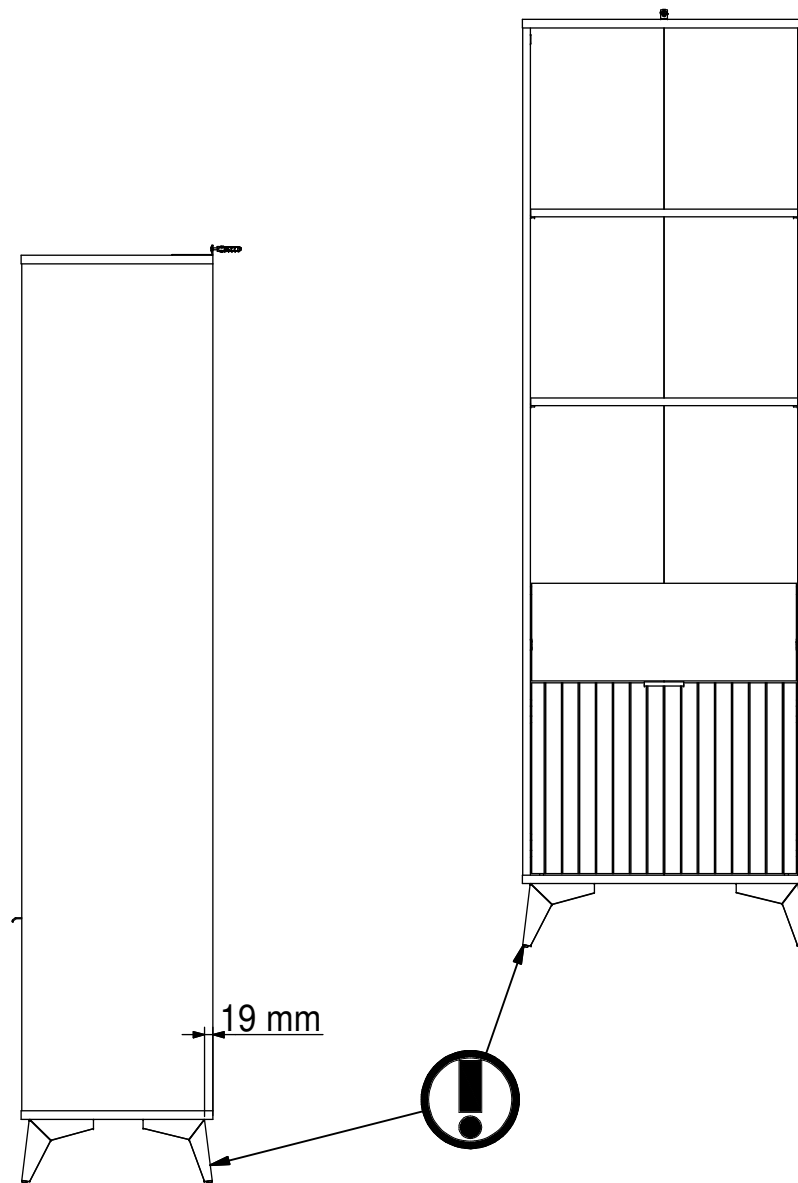




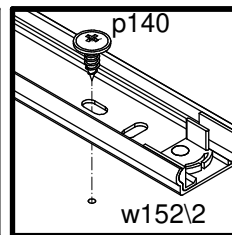
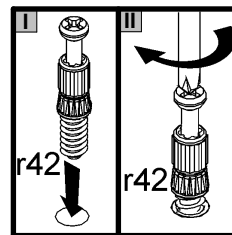
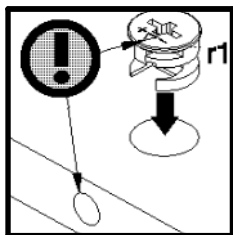
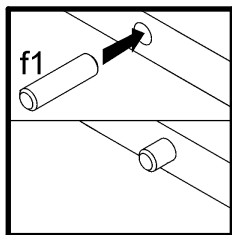
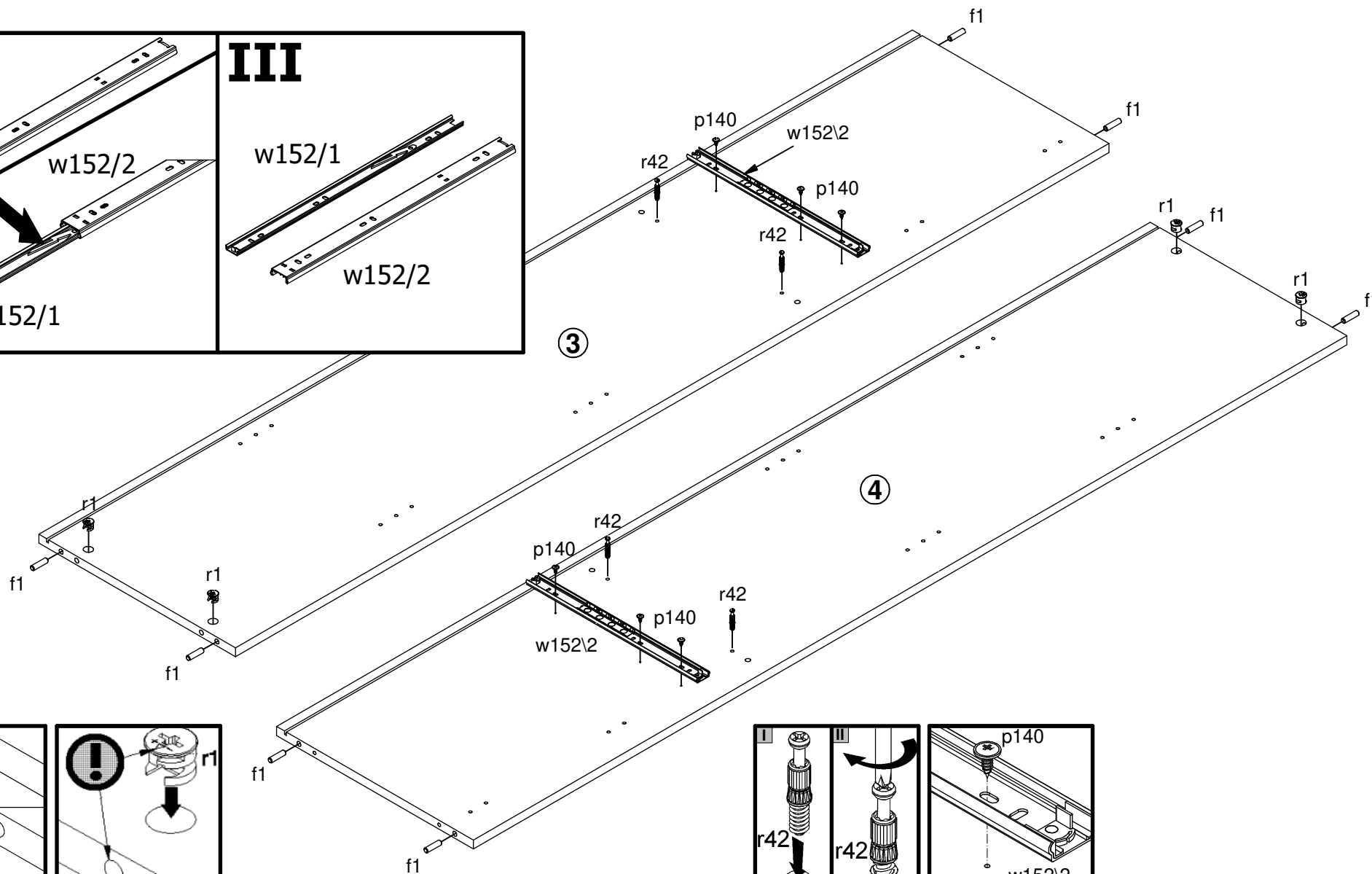
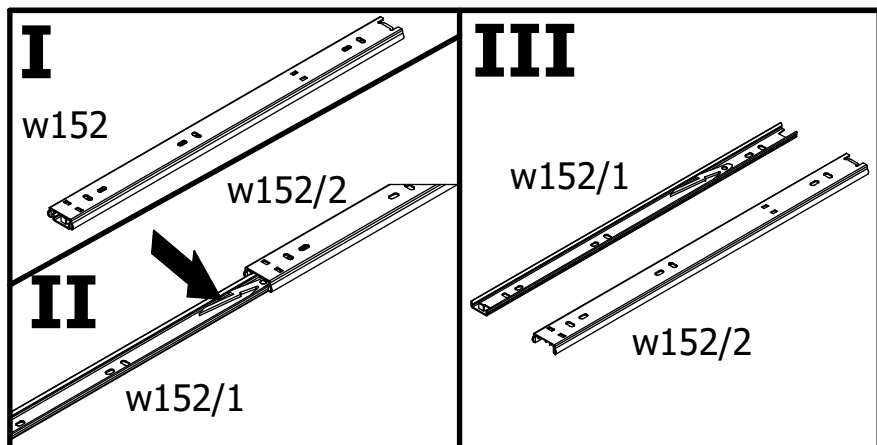
A

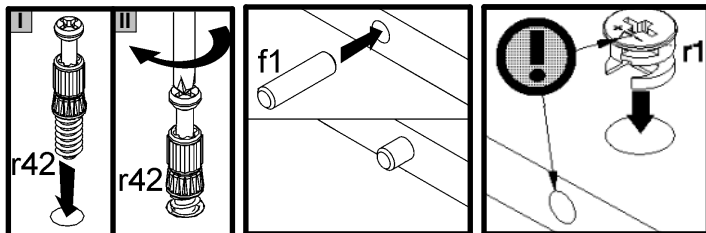
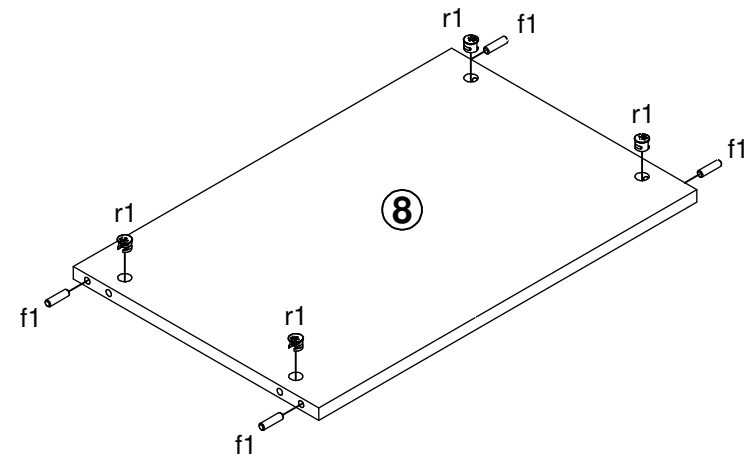
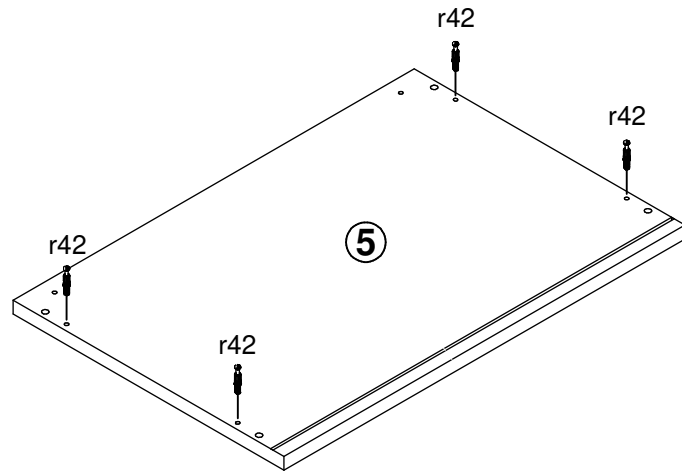
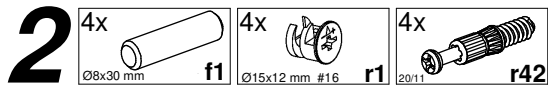


B

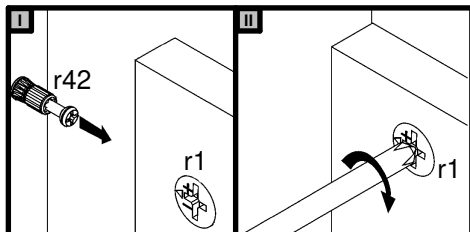
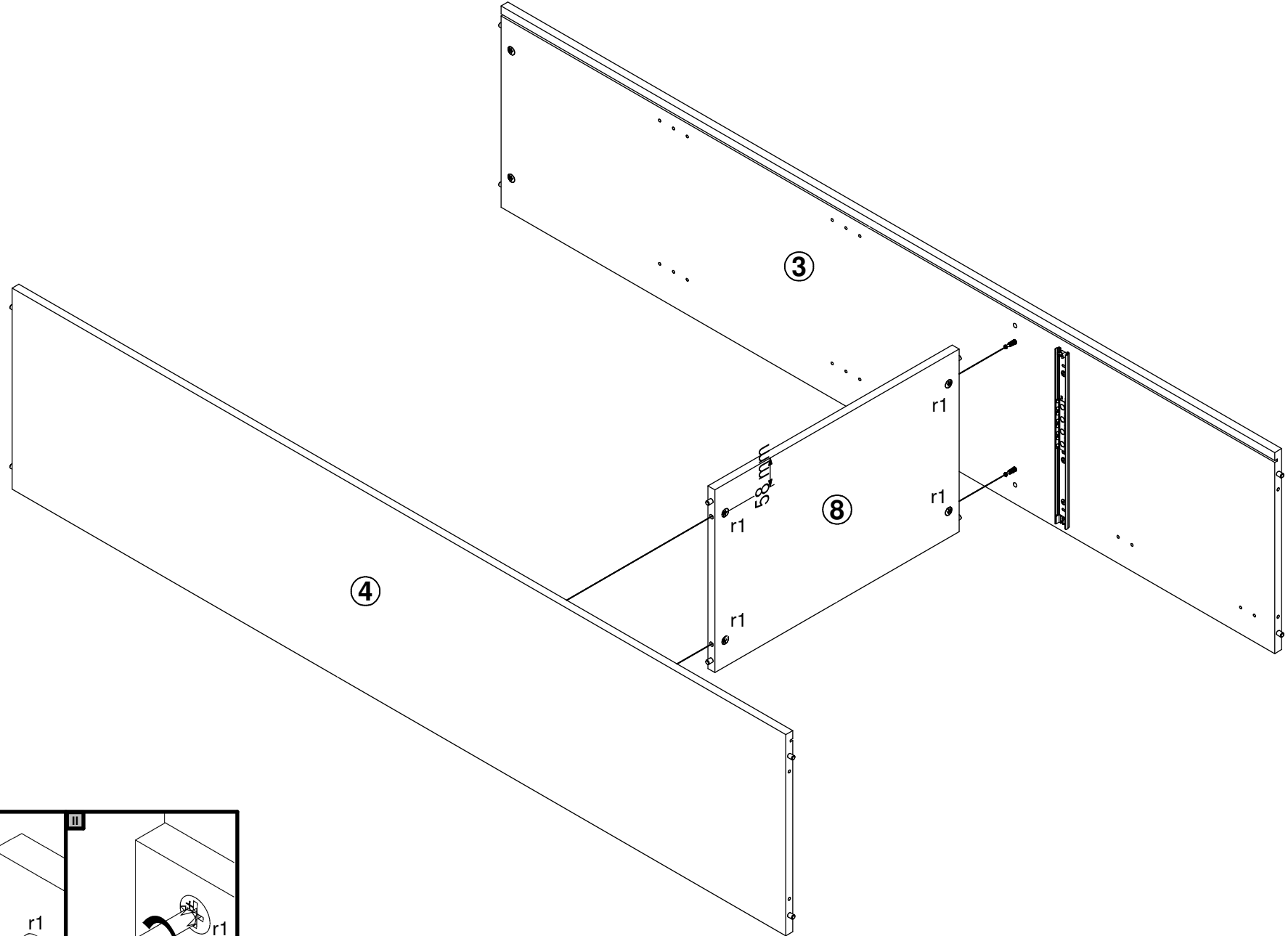


- 1 8x Ø8x30 mm f1
- 6x Ø3,5x12 mm p140
- 4x Ø15x12 mm #16 r1
- 4x 20/11 r42
- 2x 350/580 mm w152\2

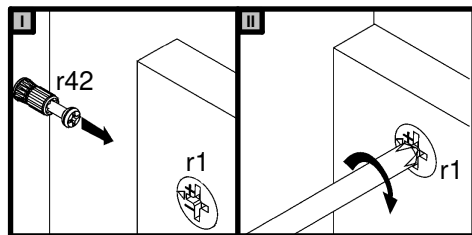
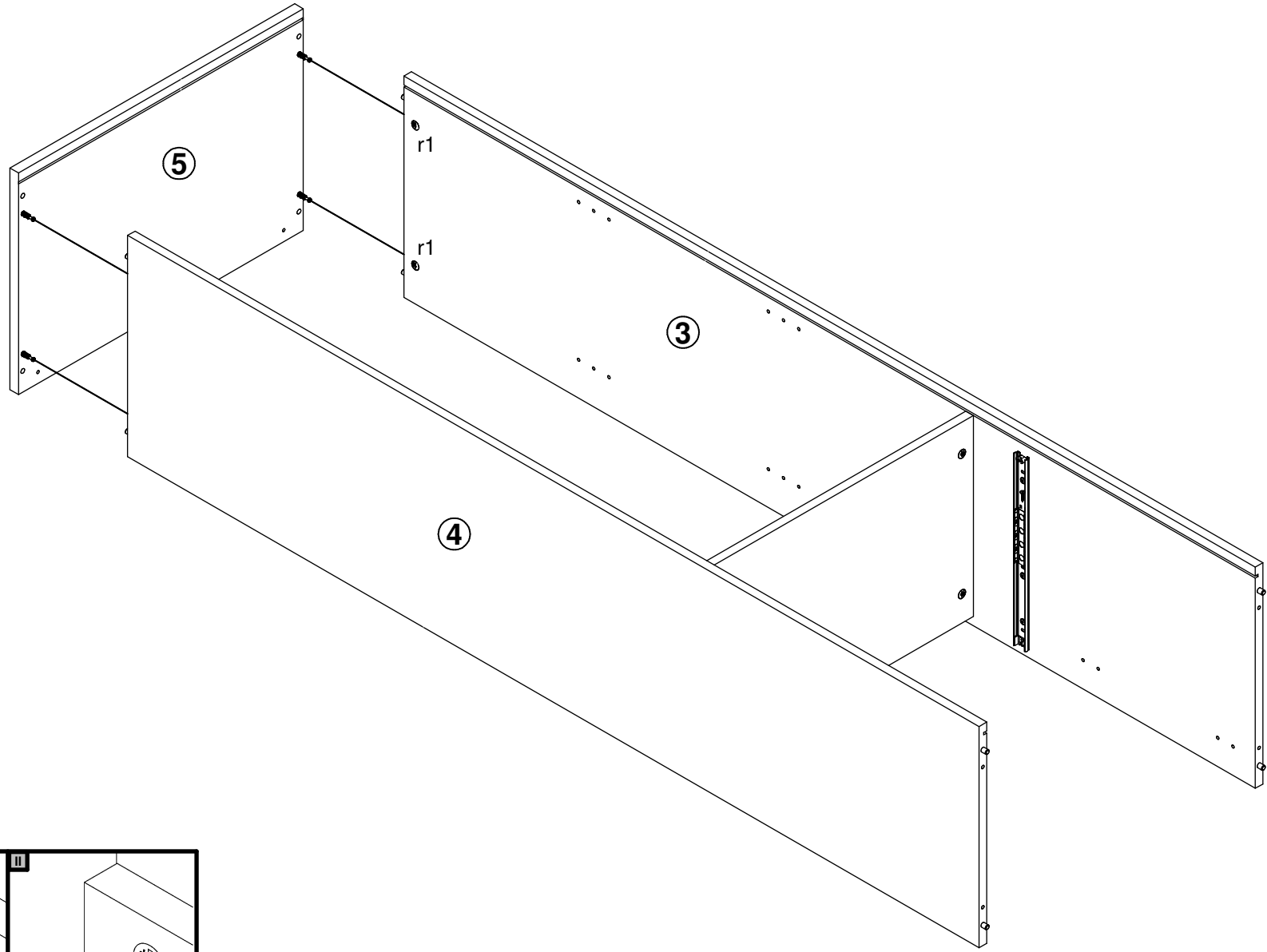


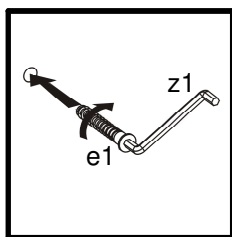
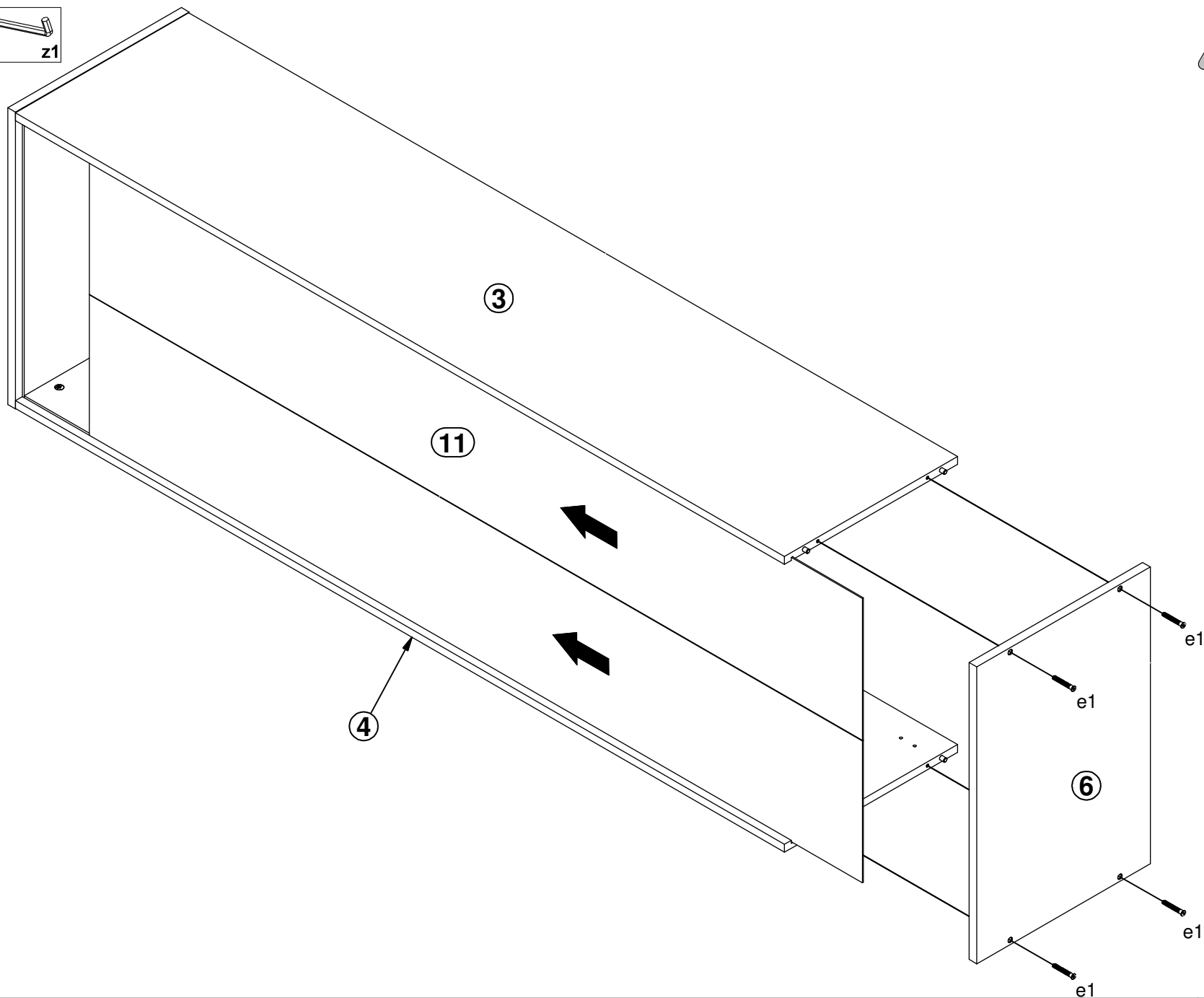
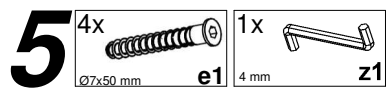


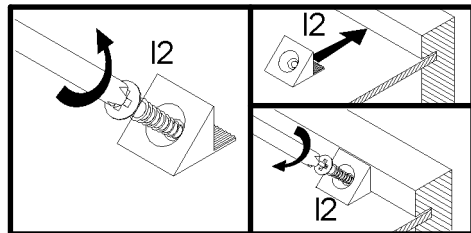
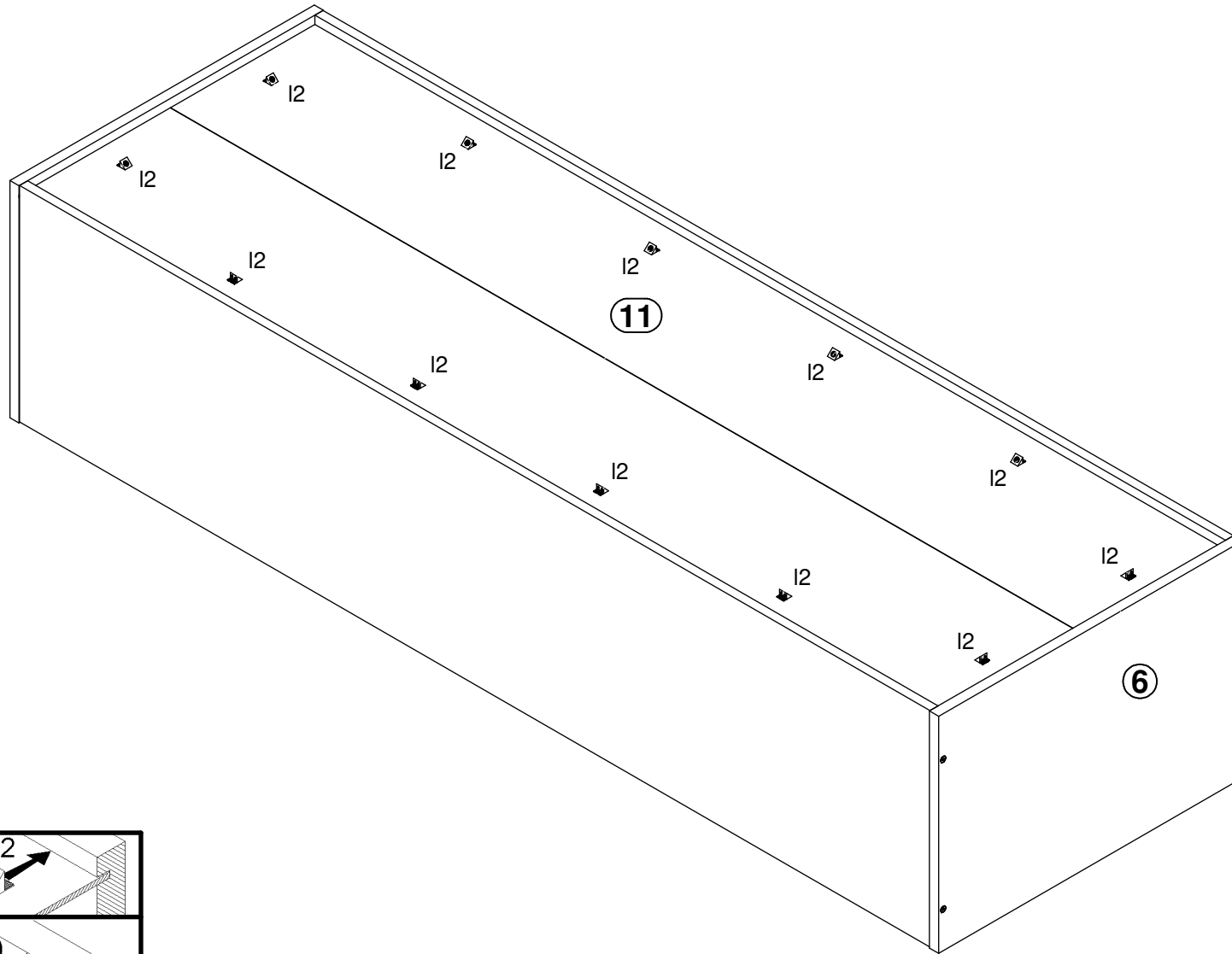
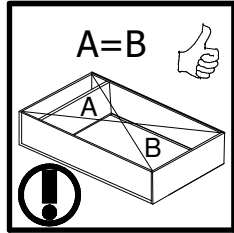
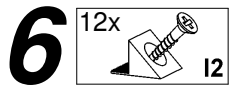
3

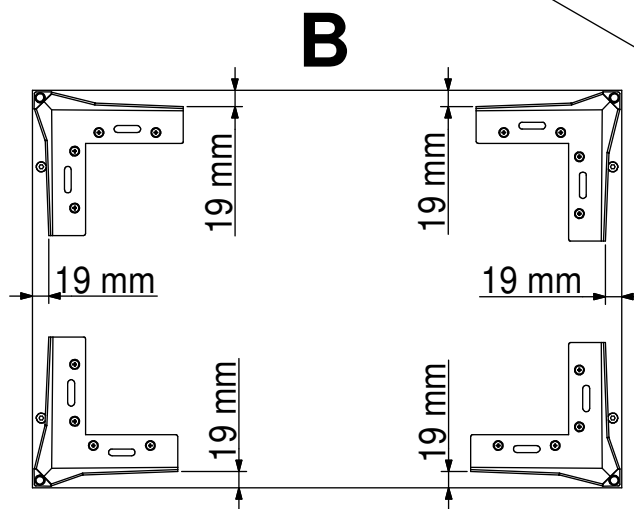
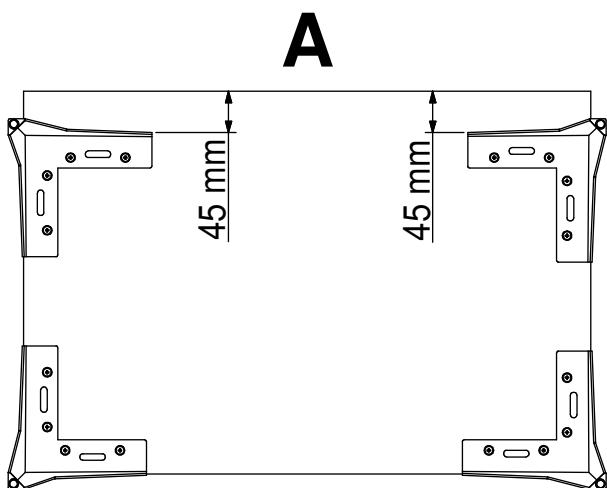
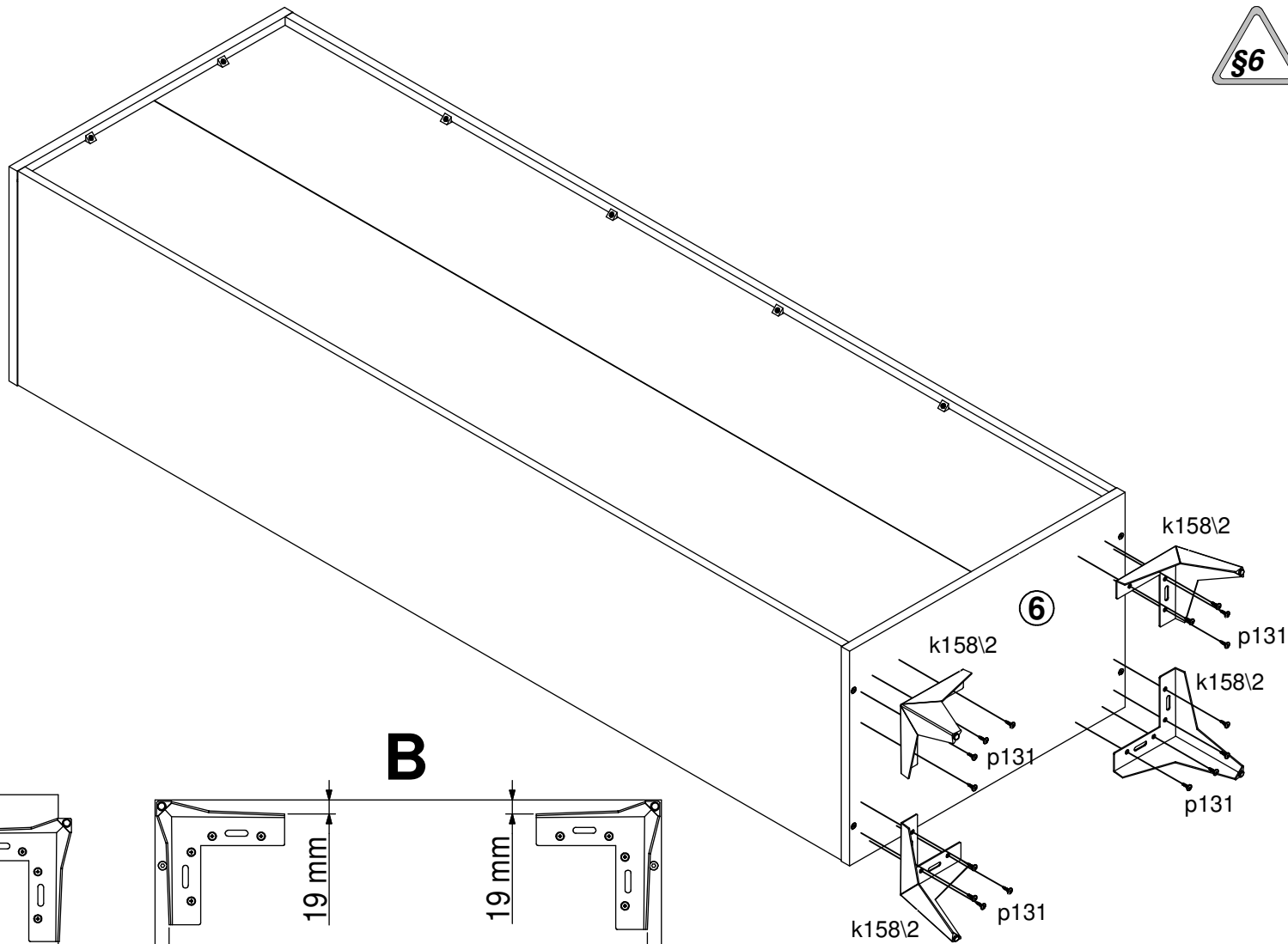


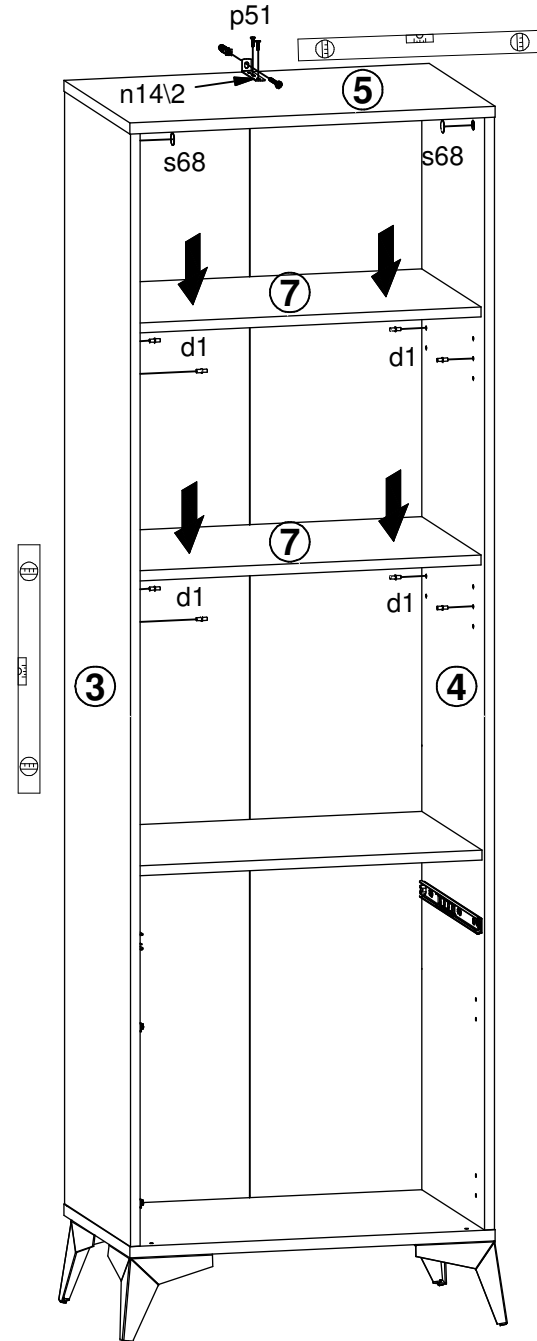
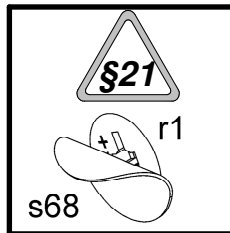
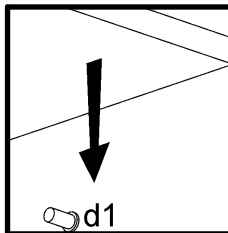
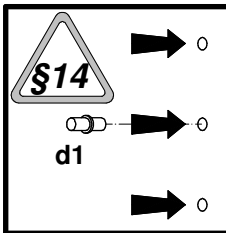
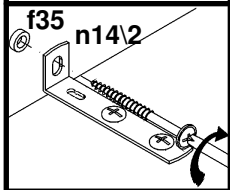
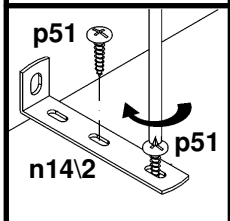
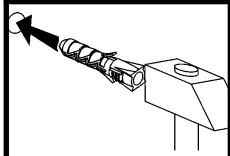
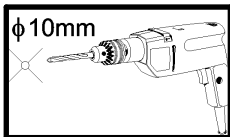
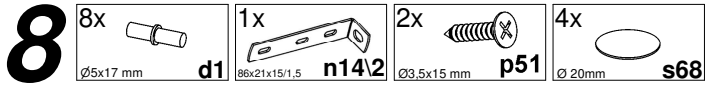
4

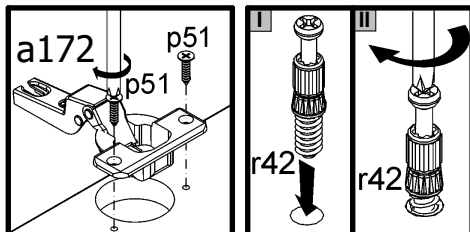
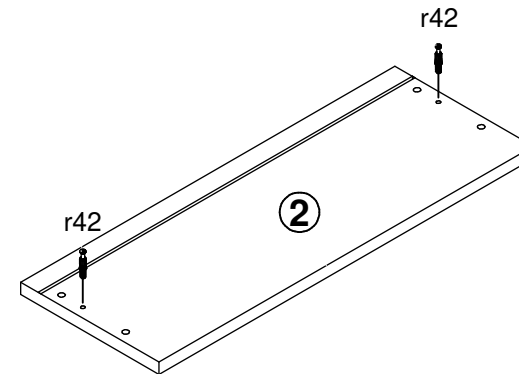
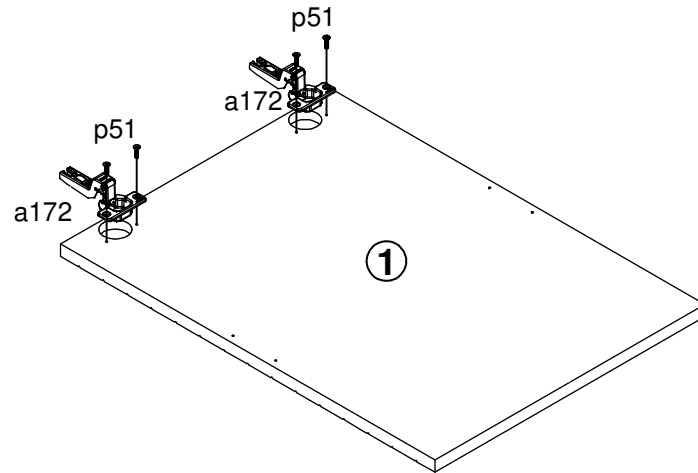
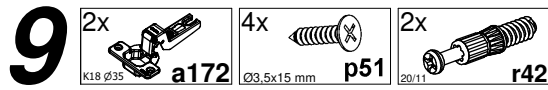




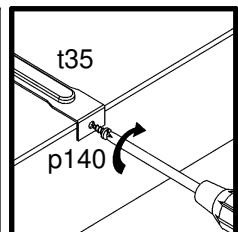
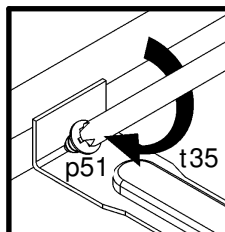
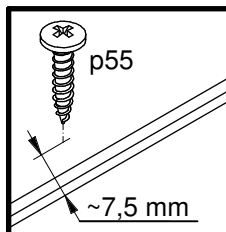
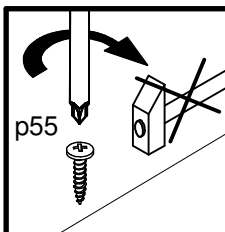
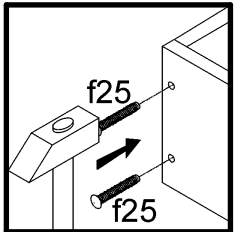
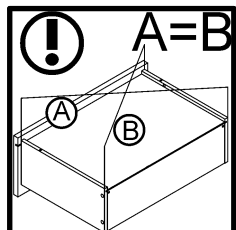
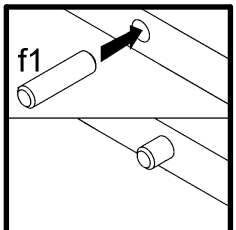
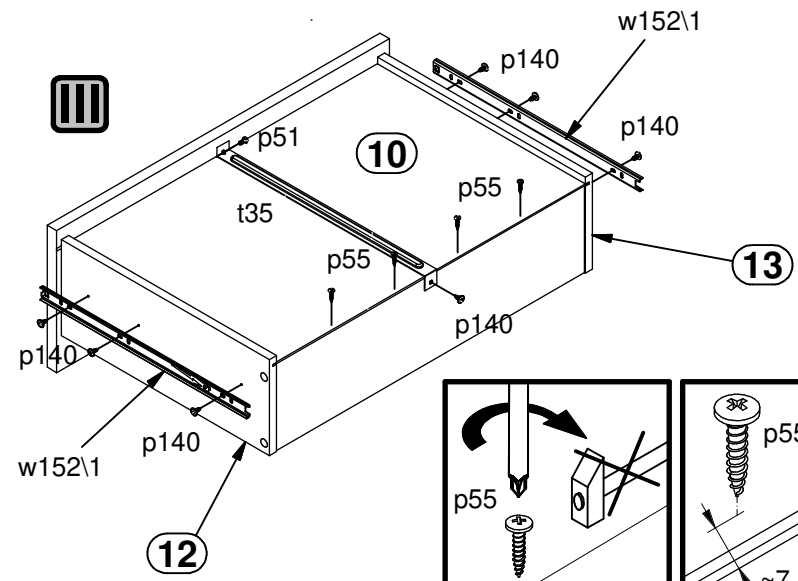
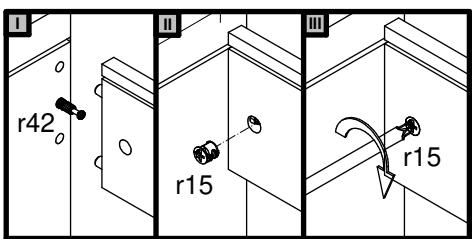
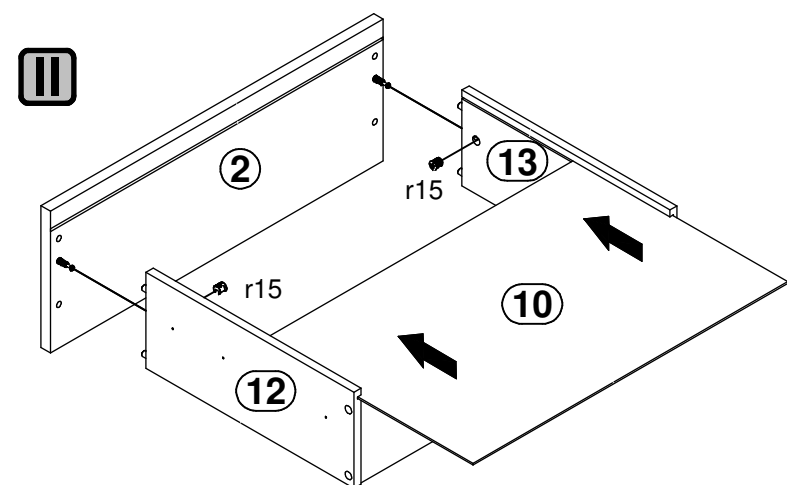
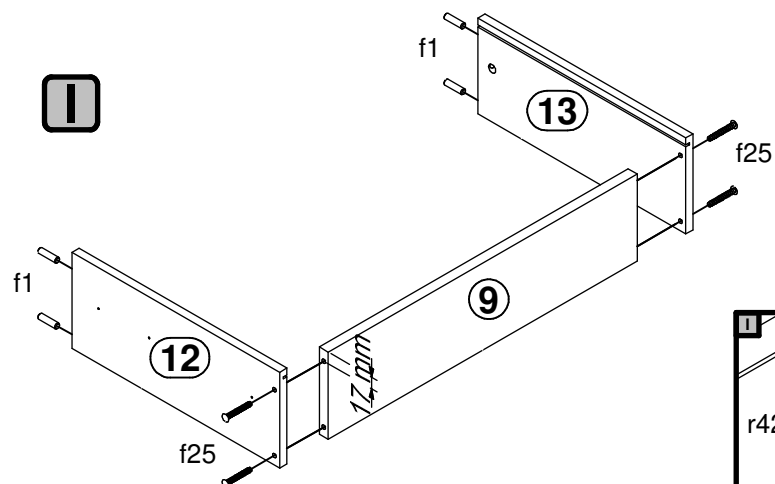
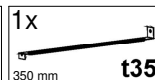
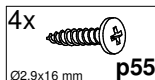
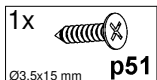
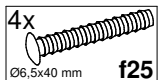
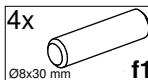




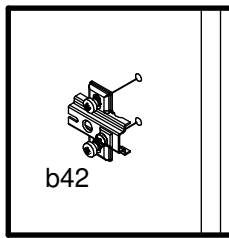
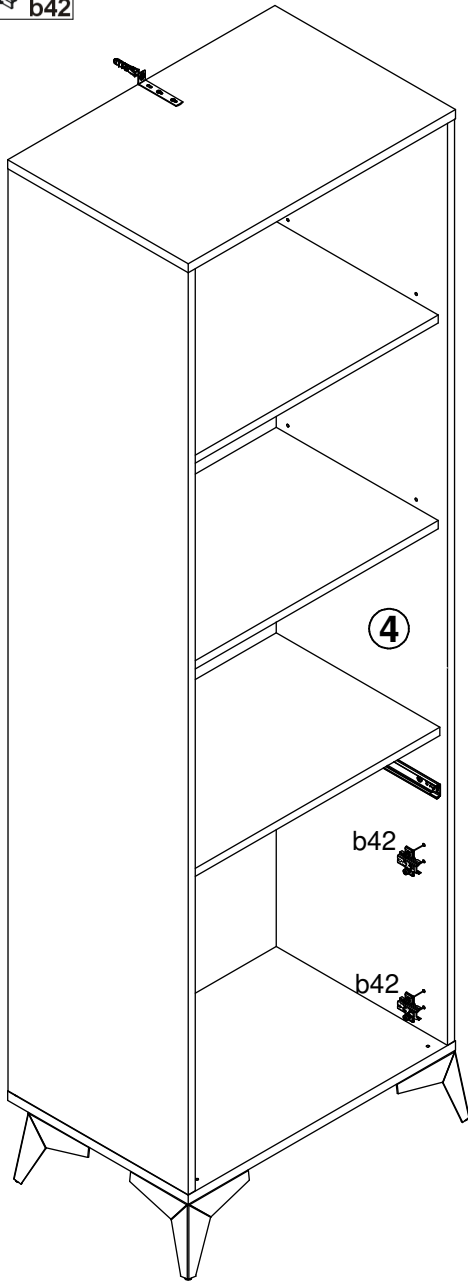
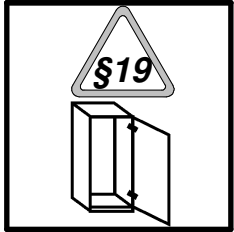
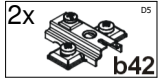




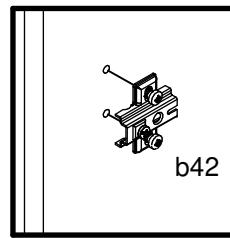
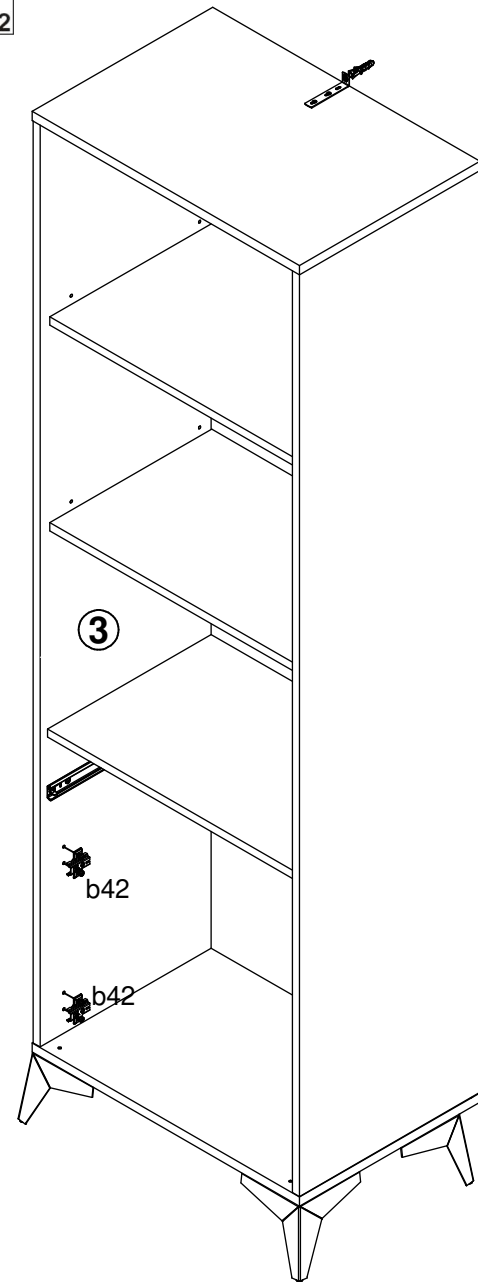
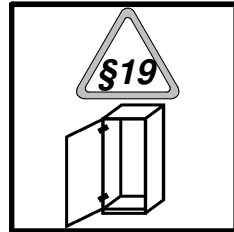
10



11A

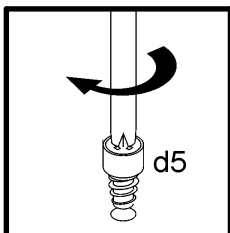
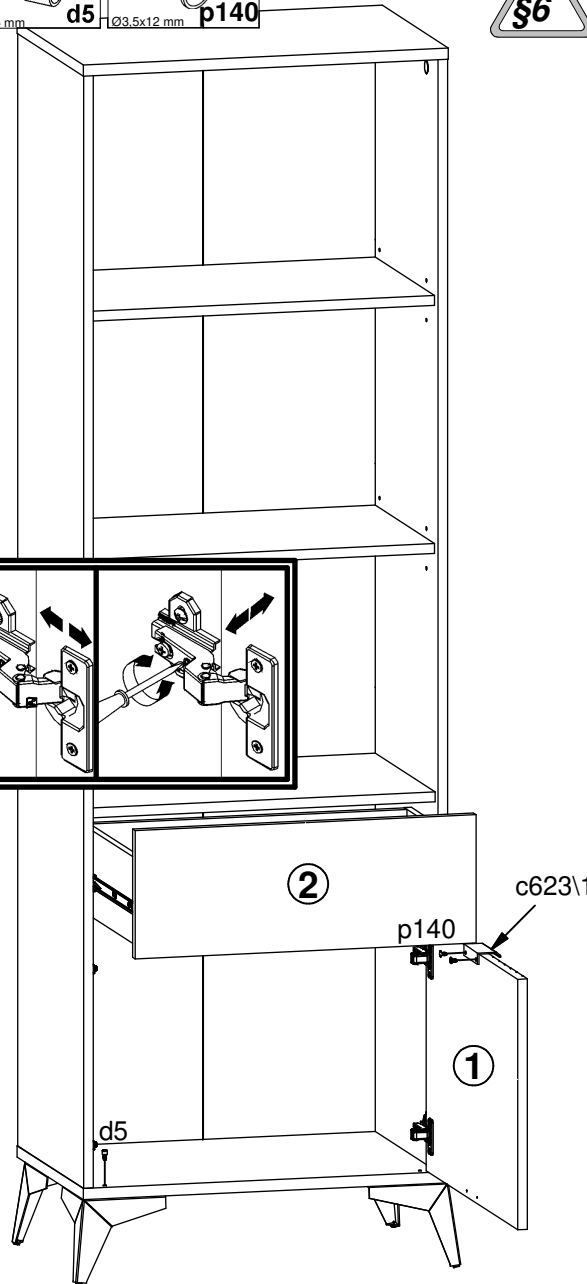
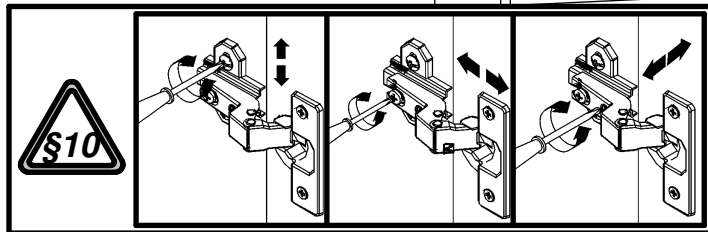
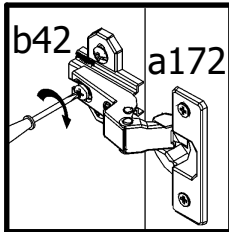
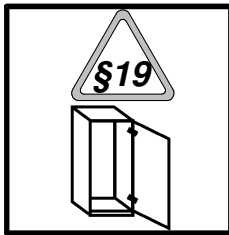


11B



12A

- 1x 64 mm c623\1
- 1x Ø6.3x15 mm d5
- 2x Ø3.5x12 mm p140



12B

- 1x 64 mm c623\1
- 1x Ø6.3x15 mm d5
- 2x Ø3.5x12 mm p140

